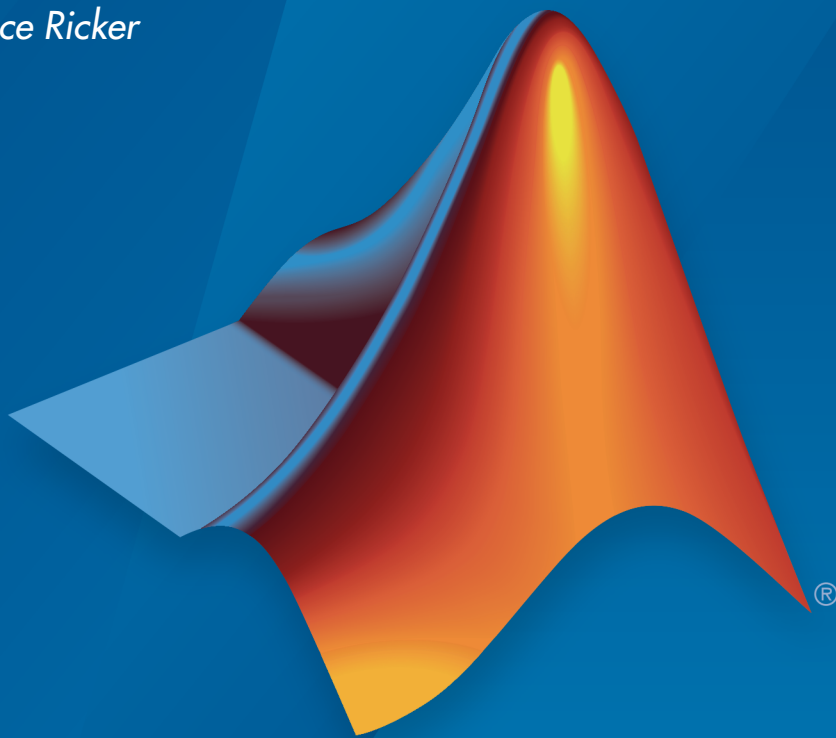


Model Predictive Control Toolbox™

Reference

*Alberto Bemporad
Manfred Morari
N. Lawrence Ricker*



MATLAB®

R2016a

 MathWorks®

How to Contact MathWorks



Latest news: www.mathworks.com
Sales and services: www.mathworks.com/sales_and_services
User community: www.mathworks.com/matlabcentral
Technical support: www.mathworks.com/support/contact_us



Phone: 508-647-7000



The MathWorks, Inc.
3 Apple Hill Drive
Natick, MA 01760-2098

Model Predictive Control Toolbox™ Reference

© COPYRIGHT 2005–2016 by The MathWorks, Inc.

The software described in this document is furnished under a license agreement. The software may be used or copied only under the terms of the license agreement. No part of this manual may be photocopied or reproduced in any form without prior written consent from The MathWorks, Inc.

FEDERAL ACQUISITION: This provision applies to all acquisitions of the Program and Documentation by, for, or through the federal government of the United States. By accepting delivery of the Program or Documentation, the government hereby agrees that this software or documentation qualifies as commercial computer software or commercial computer software documentation as such terms are used or defined in FAR 12.212, DFARS Part 227.72, and DFARS 252.227-7014. Accordingly, the terms and conditions of this Agreement and only those rights specified in this Agreement, shall pertain to and govern the use, modification, reproduction, release, performance, display, and disclosure of the Program and Documentation by the federal government (or other entity acquiring for or through the federal government) and shall supersede any conflicting contractual terms or conditions. If this License fails to meet the government's needs or is inconsistent in any respect with federal procurement law, the government agrees to return the Program and Documentation, unused, to The MathWorks, Inc.

Trademarks

MATLAB and Simulink are registered trademarks of The MathWorks, Inc. See www.mathworks.com/trademarks for a list of additional trademarks. Other product or brand names may be trademarks or registered trademarks of their respective holders.

Patents

MathWorks products are protected by one or more U.S. patents. Please see www.mathworks.com/patents for more information.

Revision History

October 2004	First printing	New for Version 2.1 (Release 14SP1)
March 2005	Online only	Revised for Version 2.2 (Release 14SP2)
September 2005	Online only	Revised for Version 2.2.1 (Release 14SP3)
March 2006	Online only	Revised for Version 2.2.2 (Release 2006a)
September 2006	Online only	Revised for Version 2.2.3 (Release 2006b)
March 2007	Online only	Revised for Version 2.2.4 (Release 2007a)
September 2007	Online only	Revised for Version 2.3 (Release 2007b)
March 2008	Online only	Revised for Version 2.3.1 (Release 2008a)
October 2008	Online only	Revised for Version 3.0 (Release 2008b)
March 2009	Online only	Revised for Version 3.1 (Release 2009a)
September 2009	Online only	Revised for Version 3.1.1 (Release 2009b)
March 2010	Online only	Revised for Version 3.2 (Release 2010a)
September 2010	Online only	Revised for Version 3.2.1 (Release 2010b)
April 2011	Online only	Revised for Version 3.3 (Release 2011a)
September 2011	Online only	Revised for Version 4.0 (Release 2011b)
March 2012	Online only	Revised for Version 4.1 (Release 2012a)
September 2012	Online only	Revised for Version 4.1.1 (Release 2012b)
March 2013	Online only	Revised for Version 4.1.2 (Release 2013a)
September 2013	Online only	Revised for Version 4.1.3 (Release R2013b)
March 2014	Online only	Revised for Version 4.2 (Release R2014a)
October 2014	Online only	Revised for Version 5.0 (Release R2014b)
March 2015	Online only	Revised for Version 5.0.1 (Release 2015a)
September 2015	Online only	Revised for Version 5.1 (Release 2015b)
March 2016	Online only	Revised for Version 5.2 (Release 2016a)

Functions – Alphabetical List

1

Block Reference

2

Object Reference

3

MPC Controller Object	3-2
ManipulatedVariables	3-2
OutputVariables	3-4
DisturbanceVariables	3-5
Weights	3-5
Model	3-7
Ts	3-9
Optimizer	3-9
PredictionHorizon	3-11
ControlHorizon	3-11
History	3-11
Notes	3-11
UserData	3-11
Construction and Initialization	3-12
MPC Simulation Options Object	3-13
MPC State Object	3-16

Explicit MPC Controller Object	3-18
Properties	3-18

Functions – Alphabetical List

clffset

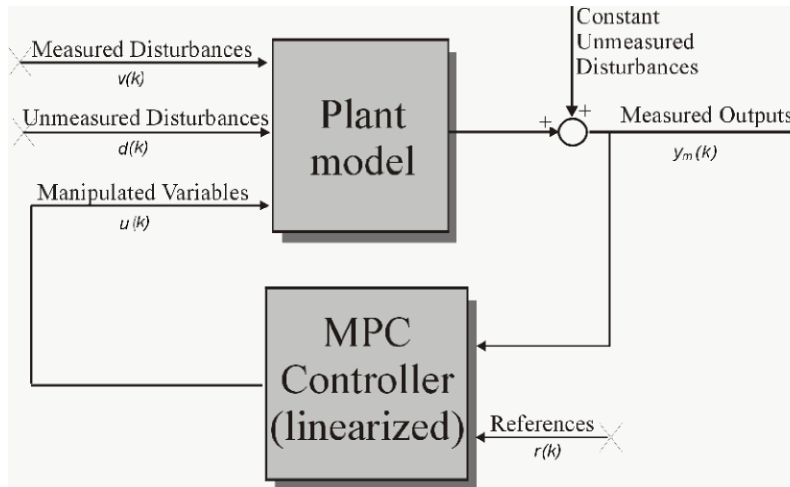
Compute MPC closed-loop DC gain from output disturbances to measured outputs assuming constraints are inactive at steady state

Syntax

```
DCgain = clffset(MPCobj)
```

Description

The `clffset` function computes the DC gain from output disturbances to measured outputs, assuming constraints are not active, based on the feedback connection between `Model.Plant` and the linearized MPC controller, as depicted below.



Computing the Effect of Output Disturbances

By superposition of effects, the gain is computed by zeroing references, measured disturbances, and unmeasured input disturbances.

`DCgain = clffset(MPCobj)` returns an n_{ym} -by- n_{ym} DC gain matrix `DCgain`, where n_{ym} is the number of measured plant outputs. `MPCobj` is the MPC object specifying the

controller for which the closed-loop gain is calculated. $\text{DCgain}(i, j)$ represents the gain from an additive (constant) disturbance on output j to measured output i . If row i contains all zeros, there will be no steady-state offset on output i .

See Also

mpc | ss

Related Examples

- “Compute Steady-State Gain”

Introduced before R2006a

compare

Compare two MPC objects

Syntax

```
yesno = compare(MPC1, MPC2)
```

Description

The compare function compares the contents of two MPC objects MPC1, MPC2. If the design specifications (models, weights, horizons, etc.) are identical, then **yesno** is equal to 1.

Note compare may return **yesno** = 1 even if the two objects are not identical. For instance, MPC1 may have been initialized while MPC2 may have not, so that they may have different sizes in memory. In any case, if **yesno** = 1, the behavior of the two controllers will be identical.

See Also

mpc

Introduced before R2006a

d2d

Change MPC controller sample

Syntax

```
MPCobj = d2d(MPCobj, Ts)
```

Description

The `d2d` function changes the sample time of the MPC controller `MPCobj` to `Ts`. All models are sampled or resampled as soon as the QP matrices must be computed, for example when `sim` or `mpcmove` are called.

See Also

`mpc` | `set`

Introduced before R2006a

generateExplicitMPC

Convert implicit MPC controller to explicit MPC controller

Given a traditional Model Predictive Controller design in the implicit form, convert it to the explicit form for real-time applications requiring fast sample time.

Syntax

```
EMPCobj = generateExplicitMPC(MPCobj,range)  
EMPCobj = generateExplicitMPC(MPCobj,range,opt)
```

Description

`EMPCobj = generateExplicitMPC(MPCobj,range)` converts a traditional (implicit) MPC controller to the equivalent explicit MPC controller, using the specified parameter bounds. This calculation usually requires significant computational effort because a multi-parametric quadratic programming problem is solved during the conversion.

`EMPCobj = generateExplicitMPC(MPCobj,range,opt)` converts the MPC controller using additional optimization options.

Examples

Generate Explicit MPC Controller

Generate an explicit MPC controller based upon a traditional MPC controller for a double-integrator plant.

Define the double-integrator plant.

```
plant = tf(1,[1 0 0]);
```

Create a traditional (implicit) MPC controller for this plant, with sample time 0.1, a prediction horizon of 10, and a control horizon of 3.

```
Ts = 0.1;
```

```
p = 10;
m = 3;
MPCobj = mpc(plant,Ts,p,m);
```

```
-->The "Weights.ManipulatedVariables" property of "mpc" object is empty. Assuming default
-->The "Weights.ManipulatedVariablesRate" property of "mpc" object is empty. Assuming default
-->The "Weights.OutputVariables" property of "mpc" object is empty. Assuming default 1
```

To generate an explicit MPC controller, you must specify the ranges of parameters such as state values and manipulated variables. To do so, generate a range structure. Then, modify values within the structure to the desired parameter ranges.

```
range = generateExplicitRange(MPCobj);
```

```
-->Converting the "Model.Plant" property of "mpc" object to state-space.
-->Converting model to discrete time.
    Assuming no disturbance added to measured output channel #1.
-->The "Model.Noise" property of the "mpc" object is empty. Assuming white noise on each
```

```
range.State.Min(:) = [-10;-10];
range.State.Max(:) = [10;10];
range.Reference.Min = -2;
range.Reference.Max = 2;
range.ManipulatedVariable.Min = -1.1;
range.ManipulatedVariable.Max = 1.1;
```

Use the more robust reduction method for the computation. Use `generateExplicitOptions` to create a default options set, and then modify the polyreduction option.

```
opt = generateExplicitOptions(MPCobj);
opt.polyreduction = 1;
```

Generate the explicit MPC controller.

```
EMPCobj = generateExplicitMPC(MPCobj,range,opt)
```

```
Explicit MPC Controller
```

```
-----
Controller sample time:    0.1 (seconds)
Polyhedral regions:       1
Number of parameters:     4
Is solution simplified:    No
State Estimation:         Default Kalman gain
```

Type 'EMPCobj.MPC' for the original implicit MPC design.
Type 'EMPCobj.Range' for the valid range of parameters.
Type 'EMPCobj.OptimizationOptions' for the options used in multi-parametric QP computation.
Type 'EMPCobj.PiecewiseAffineSolution' for regions and gain in each solution.

- “Explicit MPC Control of a Single-Input-Single-Output Plant”
- “Explicit MPC Control of an Aircraft with Unstable Poles”
- “Explicit MPC Control of DC Servomotor with Constraint on Unmeasured Output”

Input Arguments

MPCobj — Traditional MPC controller

MPC controller object

Traditional MPC controller, specified as an MPC controller object. Use the `mpc` command to create a traditional MPC controller.

range — Parameter bounds

structure

Parameter bounds, specified as a structure that you create with the `generateExplicitRange` command. This structure specifies the bounds on the parameters upon which the explicit MPC control law depends, such as state values, measured disturbances, and manipulated variables. See `generateExplicitRange` for detailed descriptions of these parameters.

opt — optimization options

structure

Optimization options for the conversion computation, specified as a structure that you create with the `mpcExplicitOptions` command. See `generateExplicitOptions` for detailed descriptions of these options.

Output Arguments

EMPCobj — Explicit MPC controller

explicit MPC controller object

Explicit MPC controller that is equivalent to the input traditional controller, returned as an explicit MPC controller object. The properties of the explicit MPC controller object are summarized in the following table.

Property	Description
MPC	Traditional (implicit) controller object used to generate the explicit MPC controller. You create this MPC controller using is the <code>mpc</code> command. It is the first argument to <code>generateExplicitMPC</code> when you create the explicit MPC controller. See “MPC Controller Object” on page 3-2 or type <code>mpcprops</code> for details regarding the properties of the MPC controller.
Range	1-D structure containing the parameter bounds used to generate the explicit MPC controller. These determine the resulting controller’s valid operating range. This property is automatically populated by the <code>range</code> input argument to <code>generateExplicitMPC</code> when you create the explicit MPC controller. See <code>generateExplicitRange</code> for details about this structure.
OptimizationOptions	1-D structure containing user-modifiable options used to generate the explicit MPC controller. This property is automatically populated by the <code>opt</code> argument to <code>generateExplicitMPC</code> when you create the explicit MPC controller. See <code>generateExplicitOptions</code> for details about this structure.
PiecewiseAffineSolution	n_r -dimensional structure, where n_r is the number of piecewise affine (PWA) regions required to represent the control law. The i th element contains the details needed to compute the optimal manipulated variables

Property	Description
	when the solution lies within the <i>i</i> th region. See “Implementation”.
IsSimplified	Logical switch indicating whether the explicit control law has been modified using the <code>simplify</code> command such that the explicit control law approximates the base (implicit) MPC controller. If the control law has not been modified, the explicit controller should reproduce the base controller’s behavior exactly, provided both operate within the bounds described by the <code>Range</code> property.

More About

Tips

- Using Explicit MPC, you will most likely achieve best performance in small control problems, which involve small numbers of plant inputs/outputs/states as well as the number of constraints.
- Test the implicit controller thoroughly before attempting a conversion. This helps to determine the range of controller states and other parameters needed to generate the explicit controller.
- Simulate the explicit controller’s performance using the `sim` or `mpcmoveExplicit` commands, or the `Explicit MPC Controller` block in Simulink®.
- `generateExplicitMPC` displays progress messages in the command window. Use `mpcverbosity` to turn off the display.
- “Explicit MPC”
- “Design Workflow for Explicit MPC”

See Also

`generateExplicitOptions` | `generateExplicitRange` | `mpc` | `simplify`

Introduced in R2014b

generateExplicitOptions

Optimization options for explicit MPC generation

Syntax

```
opt = generateExplicitOptions(MPCobj)
```

Description

`opt = generateExplicitOptions(MPCobj)` creates a set of options to use when converting a traditional MPC controller, `MPCobj`, to explicit form using `generateExplicitMPC`. The options set is returned with all options set to default values. Use dot notation to modify the options.

Examples

Generate Explicit MPC Controller

Generate an explicit MPC controller based upon a traditional MPC controller for a double-integrator plant.

Define the double-integrator plant.

```
plant = tf(1,[1 0 0]);
```

Create a traditional (implicit) MPC controller for this plant, with sample time 0.1, a prediction horizon of 10, and a control horizon of 3.

```
Ts = 0.1;  
p = 10;  
m = 3;  
MPCobj = mpc(plant,Ts,p,m);
```

```
-->The "Weights.ManipulatedVariables" property of "mpc" object is empty. Assuming default  
-->The "Weights.ManipulatedVariablesRate" property of "mpc" object is empty. Assuming default  
-->The "Weights.OutputVariables" property of "mpc" object is empty. Assuming default 1
```

To generate an explicit MPC controller, you must specify the ranges of parameters such as state values and manipulated variables. To do so, generate a range structure. Then, modify values within the structure to the desired parameter ranges.

```
range = generateExplicitRange(MPCobj);
```

```
-->Converting the "Model.Plant" property of "mpc" object to state-space.  
-->Converting model to discrete time.
```

```
    Assuming no disturbance added to measured output channel #1.
```

```
-->The "Model.Noise" property of the "mpc" object is empty. Assuming white noise on ea
```

```
range.State.Min(:) = [-10;-10];  
range.State.Max(:) = [10;10];  
range.Reference.Min = -2;  
range.Reference.Max = 2;  
range.ManipulatedVariable.Min = -1.1;  
range.ManipulatedVariable.Max = 1.1;
```

Use the more robust reduction method for the computation. Use `generateExplicitOptions` to create a default options set, and then modify the `polyreduction` option.

```
opt = generateExplicitOptions(MPCobj);  
opt.polyreduction = 1;
```

Generate the explicit MPC controller.

```
EMPCobj = generateExplicitMPC(MPCobj,range,opt)
```

```
Explicit MPC Controller
```

```
-----  
Controller sample time:    0.1 (seconds)  
Polyhedral regions:       1  
Number of parameters:     4  
Is solution simplified:    No  
State Estimation:         Default Kalman gain  
-----
```

```
Type 'EMPCobj.MPC' for the original implicit MPC design.
```

```
Type 'EMPCobj.Range' for the valid range of parameters.
```

```
Type 'EMPCobj.OptimizationOptions' for the options used in multi-parametric QP computat
```

Type 'EMPCobj.PiecewiseAffineSolution' for regions and gain in each solution.

Input Arguments

MPCobj — Traditional MPC controller

MPC controller object

Traditional MPC controller, specified as an MPC controller object. Use the `mpc` command to create a traditional MPC controller.

Output Arguments

opt — Options for generating explicit MPC controller

structure

Options for generating explicit MPC controller, returned as a structure. When you create the structure, all the options are set to default values. Use dot notation to modify any options you want to change. The fields and their default values are as follows.

zeroto1 — Zero-detection tolerance

1e-8 (default) | positive scalar value

Zero-detection tolerance used by the NNLS solver, specified as a positive scalar value.

removeto1 — Redundant-inequality-constraint detection tolerance

1e-4 (default) | positive scalar value

Redundant-inequality-constraint detection tolerance, specified as a positive scalar value.

flatto1 — Flat region detection tolerance

1e-5 (default) | positive scalar value

Flat region detection tolerance, specified as a positive scalar value.

normalizeto1 — Constraint normalization tolerance

0.01 (default) | positive scalar value

Constraint normalization tolerance, specified as a positive scalar value.

maxiterNLS — Maximum number of NLS solver iterations

500 (default) | positive integer

Maximum number of NLS solver iterations, specified as a positive integer.

maxiterQP — Maximum number of QP solver iterations

200 (default) | positive integer

Maximum number of QP solver iterations, specified as a positive integer.

maxiterBS — Maximum number of bisection method iterations

100 (default) | positive integer

Maximum number of bisection method iterations used to detect region flatness, specified as a positive integer.

polyreduction — Method for removing redundant inequalities

2 (default) | 1

Method used to remove redundant inequalities, specified as either 1 (robust) or 2 (fast).

See Also

`generateExplicitMPC`

Introduced in R2014b

generateExplicitRange

Bounds on explicit MPC control law parameters

Syntax

```
Range = generateExplicitRange(MPCobj)
```

Description

`Range = generateExplicitRange(MPCobj)` creates a structure of parameter bounds based upon a traditional (implicit) MPC controller object. The range structure is intended for use as an input argument to `generateExplicitMPC`. Usually, the initial range values returned by `generateExplicitRange` are not suitable for generating an explicit MPC controller. Therefore, use dot notation to set the values of the range structure before calling `generateExplicitMPC`.

Examples

Generate Explicit MPC Controller

Generate an explicit MPC controller based upon a traditional MPC controller for a double-integrator plant.

Define the double-integrator plant.

```
plant = tf(1,[1 0 0]);
```

Create a traditional (implicit) MPC controller for this plant, with sample time 0.1, a prediction horizon of 10, and a control horizon of 3.

```
Ts = 0.1;  
p = 10;  
m = 3;  
MPCobj = mpc(plant,Ts,p,m);
```

-->The "Weights.ManipulatedVariables" property of "mpc" object is empty. Assuming default

```
-->The "Weights.ManipulatedVariablesRate" property of "mpc" object is empty. Assuming 0
-->The "Weights.OutputVariables" property of "mpc" object is empty. Assuming default 1
```

To generate an explicit MPC controller, you must specify the ranges of parameters such as state values and manipulated variables. To do so, generate a range structure. Then, modify values within the structure to the desired parameter ranges.

```
range = generateExplicitRange(MPCobj);
```

```
-->Converting the "Model.Plant" property of "mpc" object to state-space.
```

```
-->Converting model to discrete time.
```

```
    Assuming no disturbance added to measured output channel #1.
```

```
-->The "Model.Noise" property of the "mpc" object is empty. Assuming white noise on each
```

```
range.State.Min(:) = [-10;-10];
```

```
range.State.Max(:) = [10;10];
```

```
range.Reference.Min = -2;
```

```
range.Reference.Max = 2;
```

```
range.ManipulatedVariable.Min = -1.1;
```

```
range.ManipulatedVariable.Max = 1.1;
```

Use the more robust reduction method for the computation. Use `generateExplicitOptions` to create a default options set, and then modify the `polyreduction` option.

```
opt = generateExplicitOptions(MPCobj);
```

```
opt.polyreduction = 1;
```

Generate the explicit MPC controller.

```
EMPCobj = generateExplicitMPC(MPCobj,range,opt)
```

```
Explicit MPC Controller
```

```
-----
Controller sample time:    0.1 (seconds)
```

```
Polyhedral regions:      1
```

```
Number of parameters:    4
```

```
Is solution simplified:  No
```

```
State Estimation:        Default Kalman gain
```

```
-----
Type 'EMPCobj.MPC' for the original implicit MPC design.
```

```
Type 'EMPCobj.Range' for the valid range of parameters.
```

```
Type 'EMPCobj.OptimizationOptions' for the options used in multi-parametric QP computation.
```

Type 'EMPCobj.PiecewiseAffineSolution' for regions and gain in each solution.

Input Arguments

MPCobj — Traditional MPC controller

MPC controller object

Traditional MPC controller, specified as an MPC controller object. Use the `mpc` command to create a traditional MPC controller.

Output Arguments

Range — Parameter bounds

structure

Parameter bounds for generating an explicit MPC controller from `MPCobj`, returned as a structure.

Initially, each parameter's minimum and maximum bounds are identical. All such parameters are considered fixed. When you generate an explicit controller, any fixed parameters must be constant when the controller operates. This is unlikely to happen in general. Thus, you must specify valid bounds for all parameters. Use dot notation to set the values of the range structure as appropriate for your system.

The fields of the range structure are as follows.

State — Bounds on controller state values

structure

Bounds on controller state values, specified as a structure containing fields `Min` and `Max`. Each of `Min` and `Max` is a vector of length n_x , where n_x is the number of controller states. `Range.State.Min` and `Range.State.Max` contain the minimum and maximum values, respectively, of all controller states. For example, suppose you are designing a two-state controller. You have determined that the range of the first controller state is `[-1000,1000]`, and that of the second controller state is `[0,2*pi]`. Set these bounds as follows:

```
Range.State.Min(:) = [-1000,0];
```

```
Range.State.Max(:) = [1000,2*pi];
```

MPC controller states include states from plant model, disturbance model, and noise model, in that order. Setting the range of a state variable is sometimes difficult when a state does not correspond to a physical parameter. In that case, multiple runs of open-loop plant simulation with typical reference and disturbance signals are recommended in order to collect data that reflect the ranges of states.

Reference — Bounds on controller reference signal values

structure

Bounds on controller reference signal values, specified as a structure containing fields `Min` and `Max`. Each of `Min` and `Max` is a vector of length n_y , where n_y is the number of plant outputs. `Range.Reference.Min` and `Range.Reference.Max` contain the minimum and maximum values, respectively, of all reference signal values. For example, suppose you are designing a controller for a two-output plant. You have determined that the range of the first plant output is $[-1000, 1000]$, and that of the second plant output is $[0, 2\pi]$. Set these bounds as follows:

```
Range.Reference.Min(:) = [-1000,0];  
Range.Reference.Max(:) = [1000,2*pi];
```

Usually you know the practical range of the reference signals being used at the nominal operating point in the plant. The ranges used to generate the explicit MPC controller must be at least as large as the practical range.

MeasuredDisturbance — Bounds on measured disturbance values

structure

Bounds on measured disturbance values, specified as a structure containing fields `Min` and `Max`. Each of `Min` and `Max` is a vector of length n_{md} , where n_{md} is the number of measured disturbances. If your system has no measured disturbances, leave the generated values of this field unchanged.

`Range.MeasuredDisturbance.Min` and `Range.MeasuredDisturbance.Max` contain the minimum and maximum values, respectively, of all measured disturbance signals. For example, suppose you are designing a controller for a system with two measured disturbances. You have determined that the range of the first disturbance is $[-1, 1]$, and that of the second disturbance is $[0, 0.1]$. Set these bounds as follows:

```
Range.Reference.Min(:) = [-1,0];  
Range.Reference.Max(:) = [1,0.1];
```


Usually you know the practical range of the measured disturbance signals being used at the nominal operating point in the plant. The ranges used to generate the explicit MPC controller must be at least as large as the practical range.

ManipulatedVariable — Bounds on manipulated variable values

structure

Bounds on manipulated variable values, specified as a structure containing fields `Min` and `Max`. Each of `Min` and `Max` is a vector of length n_u , where n_u is the number of manipulated variables. `Range.ManipulatedVariable.Min` and `Range.ManipulatedVariable.Max` contain the minimum and maximum values, respectively, of all manipulated variables. For example, suppose your system has two manipulated variables. The range of the first manipulated variable is `[-1, 1]`, and that of the second variable is `[0, 0.1]`. Set these bounds as follows:

```
Range.ManipulatedVariable.Min(:) = [-1,0];  
Range.ManipulatedVariable.Max(:) = [1,0.1];
```

If manipulated variables are constrained, the ranges used to generate the explicit MPC controller must be at least as large as these limits.

See Also

`generateExplicitMPC` | `generateExplicitOptions` | `mpc`

Introduced in R2014b

generatePlotParameters

Parameters for plotSection

Syntax

```
plotParams = generatePlotParameters(EMPCobj)
```

Description

`plotParams = generatePlotParameters(EMPCobj)` creates a structure of parameters for a 2-D sectional plot of the explicit MPC control law of the explicit MPC controller, `EMPCobj`. You set the fields of this structure and use it to generate the plot using the `plotSection` command.

Examples

Specify Fixed Parameters for 2-D Plot of Explicit Control Law

Define a double integrator plant model and create a traditional implicit MPC controller for this plant. Constrain the manipulated variable to have an absolute value less than 1.

```
plant = tf(1,[1 0 0]);  
MPCobj = mpc(plant,0.1,10,3);  
MPCobj.MV = struct('Min',-1,'Max',1);
```

```
-->The "Weights.ManipulatedVariables" property of "mpc" object is empty. Assuming default  
-->The "Weights.ManipulatedVariablesRate" property of "mpc" object is empty. Assuming default  
-->The "Weights.OutputVariables" property of "mpc" object is empty. Assuming default 1
```

Define the parameter bounds for generating an explicit MPC controller.

```
range = generateExplicitRange(MPCobj);  
range.State.Min(:) = [-10;-10];  
range.State.Max(:) = [10;10];  
range.Reference.Min(:) = -2;  
range.Reference.Max(:) = 2;  
range.ManipulatedVariable.Min(:) = -1.1;  
range.ManipulatedVariable.Max(:) = 1.1;
```

```
-->Converting the "Model.Plant" property of "mpc" object to state-space.
-->Converting model to discrete time.
    Assuming no disturbance added to measured output channel #1.
-->The "Model.Noise" property of the "mpc" object is empty. Assuming white noise on ea
```

Create an explicit MPC controller.

```
EMPCobj = generateExplicitMPC(MPCobj,range);
```

```
Regions found / unexplored:      19/      0
```

Create a default plot parameter structure, which specifies that all of the controller parameters are fixed at their nominal values for plotting.

```
plotParams = generatePlotParameters(EMPCobj);
```

Allow the controller states to vary when creating a plot.

```
plotParams.State.Index = [];
plotParams.State.Value = [];
```

Fix the manipulated variable and reference signal to 0 for plotting.

```
plotParams.ManipulatedVariable.Index(1) = 1;
plotParams.ManipulatedVariable.Value(1) = 0;
plotParams.Reference.Index(1) = 1;
plotParams.Reference.Value(1) = 0;
```

Generate the 2-D section plot for the explicit MPC controller.

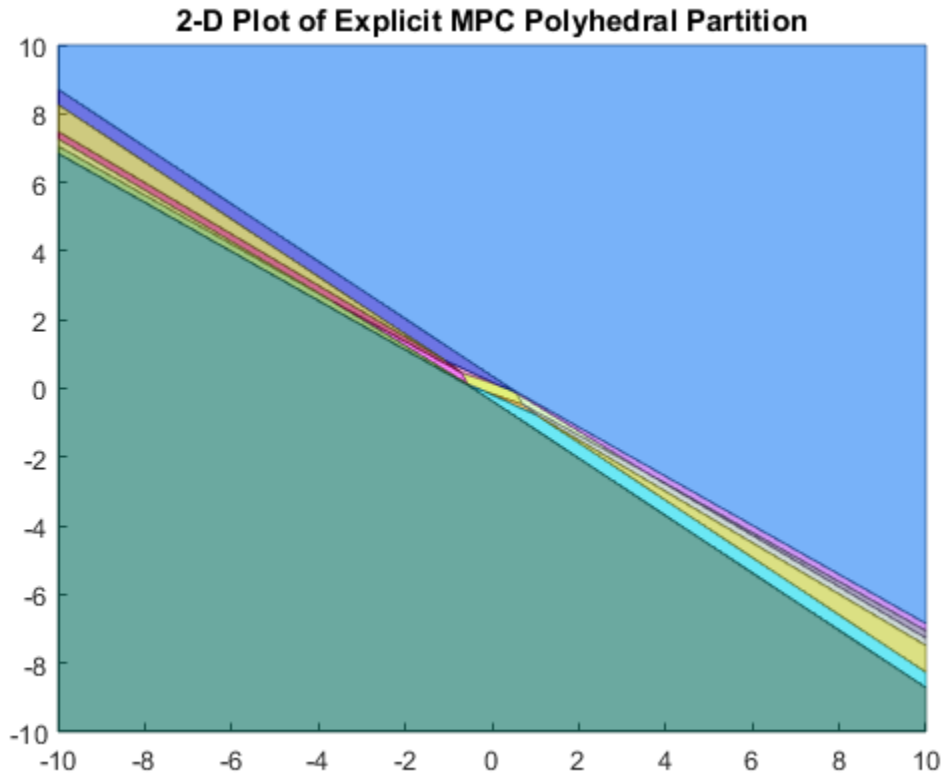
```
plotSection(EMPCobj,plotParams)
```

```
ans =
```

```
Figure (1: PiecewiseAffineSectionPlot) with properties:
```

```
    Number: 1
    Name: 'PiecewiseAffineSectionPlot'
    Color: [0.9400 0.9400 0.9400]
    Position: [360 502 560 420]
    Units: 'pixels'
```

Use GET to show all properties



Input Arguments

EMPCobj — Explicit MPC controller
explicit MPC controller object

Explicit MPC controller for which you want to create a 2-D sectional plot, specified as an Explicit MPC controller object. Use `generateExplicitMPC` to create an explicit MPC controller.

Output Arguments

plotParams — Parameters for sectional plot

structure

Parameters for sectional plot of explicit MPC control law, returned as a structure.

As returned by `generatePlotParameters`, the `plotParams` structure command fixes all the control law's parameters at their nominal values. To obtain the desired plot, eliminate the `Index` and `Value` entries of the two parameters forming the plot axes, and modify fixed values as necessary. Then, use the `plotSection` command to display the 2-D sectional plot of the explicit control law's PWA regions with the remaining free parameters as the x and y axes.

The fields of the plot-parameters structure are as follows.

State — Fixed controller states

structure

Fixed controller states, specified as a structure having an `Index` field and a `Value` field. The field `plotParams.State.Index` is a vector that contains the indices of the controller states to fix for the plot, and `plotParams.State.Value` contains the corresponding constant state values.

Modify the default value of `plotParams.State` to generate the desired plot. See “Specify Fixed Parameters for 2-D Plot of Explicit Control Law” on page 1-20.

Reference — Fixed reference signal values

structure

Fixed reference signal values, specified as a structure having an `Index` field and a `Value` field. The field `plotParams.Reference.Index` is a vector that contains the indices of the reference signals to fix for the plot, and `plotParams.Reference.Value` contains the corresponding constant reference signal values.

Modify the default value of `plotParams.Reference` to generate the desired plot. See “Specify Fixed Parameters for 2-D Plot of Explicit Control Law” on page 1-20.

MeasuredDisturbance — Fixed measured disturbance values

structure

Fixed measured disturbance values, specified as a structure having an `Index` field and a `Value` field. The field `plotParams.MeasuredDisturbance.Index` is a vector that contains the indices of the measured disturbances to fix for the plot, and `plotParams.MeasuredDisturbance.Value` contains the corresponding constant measured disturbance values.

Modify the default value of `plotParams.MeasuredDisturbance` to generate the desired plot. See “Specify Fixed Parameters for 2-D Plot of Explicit Control Law” on page 1-20.

ManipulatedVariable – Fixed manipulated variable values

structure

Fixed manipulated variable values, specified as a structure having an `Index` field and a `Value` field. The field `plotParams.ManipulatedVariable.Index` is a vector that contains the indices of the manipulated variables to fix for the plot, and `plotParams.ManipulatedVariable.Value` contains the corresponding constant manipulated variable values.

Modify the default value of `plotParams.ManipulatedVariable` to generate the desired plot. See “Specify Fixed Parameters for 2-D Plot of Explicit Control Law” on page 1-20.

See Also

`generateExplicitMPC` | `plotSection`

Introduced in R2014b

get

MPC property values

Syntax

```
Value = get(MPCObj, 'PropertyName')  
Struct = get(MPCObj)  
get(MPCObj)
```

Description

`Value = get(MPCObj, 'PropertyName')` returns the current value of the property `PropertyName` of the MPC controller `MPCObj`. The string `'PropertyName'` can be the full property name (for example, `'UserData'`) or any unambiguous case-insensitive abbreviation (for example, `'user'`). You can specify any generic MPC property.

`Struct = get(MPCObj)` converts the MPC controller `MPCObj` into a standard MATLAB[®] structure with the property names as field names and the property values as field values.

`get(MPCObj)` without a left-side argument displays all properties of `MPCObj` and their values.

More About

Tips

An alternative to the syntax

```
Value = get(MPCObj, 'PropertyName')
```

is the structure-like referencing

```
Value = MPCObj.PropertyName
```

For example,

MPCobj.Ts
MPCobj.p

return the values of the sampling time and prediction horizon of the MPC controller MPCobj.

See Also

mpc | set

Introduced before R2006a

getCodeGenerationData

Create data structures for `mpcmoveCodeGeneration`

Syntax

```
[configData,stateData,onlineData] = getCodeGenerationData(MPCObj)
[ ___ ] = getCodeGenerationData( ___ ,Name,Value)
```

Description

`[configData,stateData,onlineData] = getCodeGenerationData(MPCObj)` creates data structures for use with `mpcmoveCodeGeneration`.

`[___] = getCodeGenerationData(___ ,Name,Value)` specifies additional options using one or more `Name,Value` pair arguments.

Examples

Create MPC Code Generation Data Structures

Create a plant model, and define the MPC signal types.

```
plant = rss(3,2,2);
plant.D = 0;
plant = setmpcsignals(plant,'mv',1,'ud',2,'mo',1,'uo',2);
```

Create an MPC controller.

```
mpcObj = mpc(plant,0.1);
```

```
-->The "PredictionHorizon" property of "mpc" object is empty. Trying PredictionHorizon
-->The "ControlHorizon" property of the "mpc" object is empty. Assuming 2.
-->The "Weights.ManipulatedVariables" property of "mpc" object is empty. Assuming defa
-->The "Weights.ManipulatedVariablesRate" property of "mpc" object is empty. Assuming c
-->The "Weights.OutputVariables" property of "mpc" object is empty. Assuming default 1
    for output(s) y1 and zero weight for output(s) y2
```

Configure your controller parameters. For example, define bounds for the manipulated variable.

```
mpcObj.ManipulatedVariables.Min = -1;  
mpcObj.ManipulatedVariables.Max = 1;
```

Create code generation data structures.

```
[configData,stateData,onlineData] = getCodeGenerationData(mpcObj);  
  
-->Converting model to discrete time.  
-->The "Model.Disturbance" property of "mpc" object is empty:  
    Assuming unmeasured input disturbance #2 is integrated white noise.  
    Assuming no disturbance added to measured output channel #1.  
-->The "Model.Noise" property of the "mpc" object is empty. Assuming white noise on each  
-->Converting model to discrete time.  
-->The "Model.Disturbance" property of "mpc" object is empty:  
    Assuming unmeasured input disturbance #2 is integrated white noise.  
    Assuming no disturbance added to measured output channel #1.  
-->The "Model.Noise" property of the "mpc" object is empty. Assuming white noise on each
```

Specify Options for Creating MPC Code Generation Structures

Create a a plant model and define the MPC signal types.

```
plant = rss(3,2,2);  
plant.D = 0;
```

Create an MPC controller.

```
mpcObj = mpc(plant,0.1);  
  
-->The "PredictionHorizon" property of "mpc" object is empty. Trying PredictionHorizon  
-->The "ControlHorizon" property of the "mpc" object is empty. Assuming 2.  
-->The "Weights.ManipulatedVariables" property of "mpc" object is empty. Assuming default  
-->The "Weights.ManipulatedVariablesRate" property of "mpc" object is empty. Assuming default  
-->The "Weights.OutputVariables" property of "mpc" object is empty. Assuming default 1
```

Create code generation data structures. Configure options to:

- Use single-precision floating-point values in the generated code
- Improve computational efficiency by not computing optimal sequence data.
- Use run your MPC controller in adaptive mode.

```
[configData,stateData,onlineData] = getCodeGenerationData(mpcObj,...  
    'DataType','single','OnlyComputeCost',true,'IsAdaptive',true);  
  
-->Converting model to discrete time.
```

```
-->Assuming output disturbance added to measured output channel #1 is integrated white
-->Assuming output disturbance added to measured output channel #2 is integrated white
-->The "Model.Noise" property of the "mpc" object is empty. Assuming white noise on ea
-->Converting model to discrete time.
-->Assuming output disturbance added to measured output channel #1 is integrated white
-->Assuming output disturbance added to measured output channel #2 is integrated white
-->The "Model.Noise" property of the "mpc" object is empty. Assuming white noise on ea
```

Input Arguments

MPCobj — Model predictive controller

implicit MPC controller object | explicit MPC controller object

Model predictive controller, specified as one of the following:

- Implicit MPC controller object — To create an implicit MPC controller, use `mpc`.
- Explicit MPC controller object — To create an explicit MPC controller, design an implicit controller and then use `generateExplicitMPC`.

Name-Value Pair Arguments

Specify optional comma-separated pairs of **Name**, **Value** arguments. **Name** is the argument name and **Value** is the corresponding value. **Name** must appear inside single quotes (' '). You can specify several name and value pair arguments in any order as `Name1, Value1, ..., NameN, ValueN`.

Example: `'DataType', 'single'` specifies that the generated code uses single-precision floating point values.

'InitialState' — Initial controller state

`mpcstate` object

Initial controller state, specified as the comma-separated pair consisting of `'InitialState'` and an `mpcstate` object. This state is used in place of the default state information from `MPCobj`.

'DataType' — Data type used in generated code

`'double'` (default) | `'single'`

Data type used in generated code, specified as specified as the comma-separated pair consisting of `'DataType'` and one of the following strings:

- `'double'` — Use double-precision floating point values.
- `'single'` — Use single-precision floating point values.

'OnlyComputeCost' — Toggle for computing only optimal cost

`false` (default) | `true`

Toggle for computing only optimal cost during simulation, specified as specified as the comma-separated pair consisting of `'OnlyComputeCost'` and either `true` or `false`. To reduce computational load by not calculating optimal sequence data, set `OnlyComputeCost` to `true`.

'IsAdaptive' — Adaptive MPC indicator

`false` (default) | `true`

Adaptive MPC indicator, specified as specified as the comma-separated pair consisting of `'IsAdaptive'` and either `true` or `false`. Set `IsAdaptive` to `true` if your controller is running in adaptive mode.

For more information on adaptive MPC, see “Adaptive MPC”.

Note: `IsAdaptive` and `IsLTV` cannot be `true` at the same time.

'IsLTV' — Time-varying MPC indicator

`false` (default) | `true`

Time-varying MPC indicator, specified as either `true` or `false`. Set `IsLTV` to `true` if your controller is running in time-varying mode.

For more information on time-varying MPC, see “Time-Varying MPC”.

Note: `IsAdaptive` and `IsLTV` cannot be `true` at the same time.

Output Arguments

`configData` — MPC configuration parameters

structure

MPC configuration parameters that are constant at run time, returned as a structure. These parameters are derived from the controller settings in `MPCobj`. When simulating your controller, pass `configData` to `mpcmoveCodeGeneration` without changing any parameters.

stateData — Initial controller states

structure

Initial controller states, returned as a structure. To initialize your simulation with the initial states defined in `MPCobj`, pass `stateData` to `mpcmoveCodeGeneration`. To use different initial conditions, modify `stateData`. You can specify non-default controller states using `InitialState`.

`stateData` has the following fields:

Plant — Plant model state estimates

`MPCobj` nominal plant states (default) | column vector of length n_{xp}

Plant model state estimates, returned as a column vector of length n_{xp} , where n_{xp} is the number of plant model states.

Disturbance — Unmeasured disturbance model state estimates

`[]` (default) | column vector of length n_{xd}

Unmeasured disturbance model state estimates, returned as a column vector of length n_{xd} , where n_{xd} is the number of unmeasured disturbance model states. `Disturbance` contains the input disturbance model states followed by the output disturbance model states.

To view the input and output disturbance models, use `getindist` and `getoutdist` respectively.

Noise — Output measurement noise model state estimates

`[]` (default) | column vector of length n_{xn}

Output measurement noise model state estimates, returned as a column vector of length n_{xn} , where n_{xn} is the number of noise model states.

LastMove — Manipulated variable control moves from previous control interval

`MPCobj` nominal MV values (default) | column vector of length n_{mv}

Manipulated variable control moves from previous control interval, returned as a column vector of length n_{mv} , where n_{mv} is the number of manipulated variables.

Covariance – Covariance matrix for controller state estimates

symmetrical n -by- n array

Covariance matrix for controller state estimates, returned as a symmetrical n -by- n array, where n is number of extended controller states; that is, the sum of n_{xp} , n_{xd} , and n_{xn} .

If the controller uses custom state estimation, **Covariance** is empty.

iA – Active inequality constraints

false (default) | logical vector of length m

Active inequality constraints, where the equal portion of the inequality is **true**, returned as a logical vector of length m . If **iA**(i) is **true**, then the i th inequality is active for the latest QP solver solution.

Note: Do not change the value of **iA**. Always use the values returned by either `getCodeGenerationData` or `mpcmoveCodeGeneration`.

onlineData – Online controller data

structure

Online controller data that you must update at each control interval, returned as a structure with the following fields:

Field	Description	
signals	Input and output signals, returned as a structure with the following fields.	
	Field	Description
	ym	Measured outputs
	ref	Output references
	md	Measured disturbances
	mvTarget	Targets for manipulated variables
externalMV	Manipulated variables externally applied to the plant	

Field	Description	
limits	Input and output constraints, returned as a structure with the following fields:	
	Field	Description
	ymin	Lower bounds on output signals
	ymax	Upper bounds on output signals
	umin	Lower bounds on input signals
	umax	Upper bounds on input signals
weights	Updated QP optimization weights, returned as a structure with the following fields:	
	Field	Description
	ywt	Output weights
	uwt	Manipulated variable weights
	duwt	Manipulated variable rate weights
	ecr	Weight on slack variable used for constraint softening
model	Updated plant and nominal values for adaptive MPC and time-varying MPC, returned as a structure with the following fields:	
	Field	Description
	A, B, C, D	State-space matrices of discrete-time state-space model.
	X	Nominal plant states
	U	Nominal plant inputs
	Y	Nominal plant outputs
	DX	Nominal plant state derivatives

getCodeGenerationData returns onlineData with empty matrices for all structure fields, except signals.ref, signals.y_m, and signals.md. These fields contain the corresponding nominal signal values from MPCobj. If your controller does not have measured disturbances, signals.md is returned as an empty matrix.

For more information on configuring `onlineData` fields, see `mpcmoveCodeGeneration`

More About

- “Generate Code To Compute Optimal MPC Moves in MATLAB”
- “Generate Code and Deploy Controller to Real-Time Targets”

See Also

`mpcmoveCodeGeneration`

Introduced in R2016a

getconstraint

Set custom constraints on linear combinations of plant inputs and outputs

Syntax

```
[E,F,G,V,S] = getconstraint(MPCobj)
```

Description

`[E,F,G,V,S] = getconstraint(MPCobj)` returns the custom constraints previously defined for the MPC controller, `MPCobj`. The constraints are in the general form:

$$Eu(k+j|k) + Fy(k+j|k) + Sv(k+j|k) \leq G + \varepsilon V$$

where $j = 0, \dots, p$, and:

- p is the prediction horizon.
- k is the current time index.
- u is a column vector manipulated variables.
- y is a column vector of all plant output variables.
- v is a column vector of measured disturbance variables.
- ε is a scalar slack variable used for constraint softening (as in “Standard Cost Function”).
- E , F , G , V , and S are constant matrices.

Since the MPC controller does not optimize $u(k+p|k)$, `getconstraint` calculates the last constraint at time $k+p$ assuming that $u(k+p|k) = u(k+p-1|k)$.

Examples

Retrieve Custom Constraints from MPC Controller

Create a third-order plant model with two manipulated variables, one measured disturbance, and two measured outputs.

```
plant = rss(3,2,3);
```

```
plant.D = 0;  
plant = setmpcsignals(plant, 'mv', [1 2], 'md', 3);
```

Create an MPC controller for this plant.

```
MPCobj = mpc(plant, 0.1);
```

```
-->The "PredictionHorizon" property of "mpc" object is empty. Trying PredictionHorizon  
-->The "ControlHorizon" property of the "mpc" object is empty. Assuming 2.  
-->The "Weights.ManipulatedVariables" property of "mpc" object is empty. Assuming defa  
-->The "Weights.ManipulatedVariablesRate" property of "mpc" object is empty. Assuming c  
-->The "Weights.OutputVariables" property of "mpc" object is empty. Assuming default 1
```

Assume that you have two soft constraints.

$$\begin{aligned}u_1 + u_2 &\leq 5 \\ y_2 + v &\leq 10\end{aligned}$$

Set the constraints for the MPC controller.

```
E = [1 1; 0 0];  
F = [0 0; 0 1];  
G = [5; 10];  
V = [1; 1];  
S = [0; 1];  
setconstraint(MPCobj, E, F, G, V, S)
```

Retrieve the constraints from the controller.

```
[E, F, G, V, S] = getconstraint(MPCobj)
```

```
E =
```

```
    1    1  
    0    0
```

```
F =
```

```
    0    0  
    0    1
```

```
G =  
  
    5  
   10
```

```
V =  
  
    1  
    1
```

```
S =  
  
    0  
    1
```

Input Arguments

MPCobj — Model predictive controller

MPC controller object

Model predictive controller, specified as an MPC controller object. To create an MPC controller, use `mpc`.

Output Arguments

E — Manipulated variable constraint constant

matrix

Manipulated variable constraint constant, returned as a matrix with:

- n_c rows, where n_c is the number of constraints.
- n_u columns, where n_u is the number of manipulated variables.

If `MPCobj` has no custom constraints, then `E` is empty, `[]`.

F — Controlled output constraint constant

matrix

Controlled output constraint constant, returned as a matrix with:

- n_c rows, where n_c is the number of constraints.
- n_y columns, where n_y is the number of controlled outputs (measured and unmeasured).

If MPCObj has no custom constraints, then F is empty [].

G – Custom constraint constant

column vector

Custom constraint constant, returned as a column vector with n_c elements, where n_c is the number of constraints.

If MPCObj has no custom constraints, then G is empty [].

V – Constraint softening constant

column vector

Constraint softening constant representing the equal concern for the relaxation (ECR), returned as a column vector with n_c elements, where n_c is the number of constraints. If MPCObj has no custom constraints, then V is empty [].

If V is not specified, a default value of 1 is applied to all constraint inequalities and all constraints are soft. This behavior is the same as the default behavior for output bounds, as described in “Standard Cost Function”.

To make the i^{th} constraint hard, specify $V(i) = 0$.

To make the i^{th} constraint soft, specify $V(i) > 0$ in keeping with the constraint violation magnitude you can tolerate. The magnitude violation depends on the numerical scale of the variables involved in the constraint.

In general, as $V(i)$ decreases, the controller hardens the constraints by decreasing the constraint violation that is allowed.

S – Measured disturbance constraint constant

matrix

Measured disturbance constraint constant, returned as a matrix with:

- n_c rows, where n_c is the number of constraints.

- n_v columns, where n_v is the number of measured disturbances.

If there are no measured disturbances in the custom constraints, or MPCobj has no custom constraints, then **S** is empty [].

More About

- “Constraints on Linear Combinations of Inputs and Outputs”

See Also

setconstraint

Introduced in R2011a

getEstimator

Obtain Kalman gains and model for estimator design

Syntax

```
[L,M] = getEstimator(MPCobj)
[L,M,A,Cm,Bu,Bv,Dvm] = getEstimator(MPCobj)
[L,M,model,index] = getEstimator(MPCobj,'sys')
```

Description

`[L,M] = getEstimator(MPCobj)` extracts the Kalman gains used by the state estimator in a model predictive controller. The estimator updates the states of internal plant, disturbance, and noise models at the beginning of each controller interval.

`[L,M,A,Cm,Bu,Bv,Dvm] = getEstimator(MPCobj)` also returns the system matrices used to calculate the estimator gains.

`[L,M,model,index] = getEstimator(MPCobj,'sys')` returns an LTI state-space representation of the system used for state-estimator design and a structure summarizing the I/O signal types of the system.

Examples

Extract Parameters for State Estimation

The plant is a stable, discrete LTI ss model with four states, three inputs and three outputs. The manipulated variables are inputs 1 and 2. Input 3 is an unmeasured disturbance. Outputs 1 and 3 are measured. Output 2 is unmeasured.

Create a model of the plant and specify the signals for MPC.

```
rng(1253) % For repeatable results
Plant = drss(4,3,3);
```

```
Plant.Ts = 0.25;
Plant = setmpcsignals(Plant, 'MV', [1,2], 'UD', 3, 'MO', [1 3], 'UO', 2);
Plant.d(:, [1,2]) = 0;
```

The last command forces the plant to satisfy the assumption of no direct feedthrough.

Calculate the default Model Predictive Controller for this plant.

```
MPCobj = mpc(Plant);
```

```
-->The "PredictionHorizon" property of "mpc" object is empty. Trying PredictionHorizon
-->The "ControlHorizon" property of the "mpc" object is empty. Assuming 2.
-->The "Weights.ManipulatedVariables" property of "mpc" object is empty. Assuming default
-->The "Weights.ManipulatedVariablesRate" property of "mpc" object is empty. Assuming default
-->The "Weights.OutputVariables" property of "mpc" object is empty. Assuming default 1
    for output(s) y1 y3 and zero weight for output(s) y2
```

Obtain the parameters to be used in state estimation.

```
[L,M,A,Cm,Bu,Bv,Dvm] = getEstimator(MPCobj);
```

```
-->The "Model.Disturbance" property of "mpc" object is empty:
    Assuming unmeasured input disturbance #3 is integrated white noise.
-->Assuming output disturbance added to measured output channel #1 is integrated white
    Assuming no disturbance added to measured output channel #3.
-->The "Model.Noise" property of the "mpc" object is empty. Assuming white noise on each
```

Based on the estimator state equation, the the estimator poles are given by the eigenvalues of $A - L * C_m$. Calculate and display the poles.

```
Poles = eig(A - L * Cm)
```

```
Poles =
```

```
-0.7467
-0.5019
 0.0769
 0.4850
 0.8825
 0.8291
```

Confirm that the default estimator is asymptotically stable.

```
max(abs(Poles))
```

```
ans =
```

```
0.8825
```

This value is less than 1, so the estimator is asymptotically stable.

Verify that in this case, $L = A^*M$.

```
L - A*M
```

```
ans =
```

```
1.0e-16 *
```

```
    0    0.5551  
-0.1388 -0.2776  
    0.1388 -0.1388  
    0    0.2082  
-0.2082 -0.2776  
-0.2776    0
```

Input Arguments

MPCobj — MPC controller

MPC controller object

MPC controller, specified as an MPC controller object. Use the `mpc` command to create the MPC controller.

Output Arguments

L — Kalman gain matrix for time update

matrix

Kalman gain matrix for the time update, returned as a matrix. The dimensions of **L** are n_x -by- n_{ym} , where n_x is the total number of controller states, and n_{ym} is the number of measured outputs. See “State Estimator Equations” on page 1-44.

M — Kalman gain matrix for measurement update

matrix

Kalman gain matrix for the measurement update, returned as a matrix. The dimensions of **L** are n_x -by- n_{ym} , where n_x is the total number of controller states, and n_{ym} is the number of measured outputs. See “State Estimator Equations” on page 1-44.

A, Cm, Bu, Bv, Dvm — System matrices

matrices

System matrices used to calculate the estimator gains, returned as matrices of various dimensions. For definitions of these system matrices, see “State Estimator Equations” on page 1-44.

model — System used for state-estimator design

state-space model

System used for state-estimator design, returned as a state-space (SS) model. The input to **model** is a vector signal comprising the following components, concatenated in the following order:

- Manipulated variables
- Measured disturbance variables
- 1
- Noise inputs to disturbance models
- Noise inputs to measurement noise model

The number of noise inputs depends on the disturbance and measurement noise models within **MPCobj**. For the category noise inputs to disturbance models, inputs to the input disturbance model (if any) precede those entering the output disturbance model (if any). The constant input, 1, accounts for nonequilibrium nominal values (see “MPC Modeling”).

To make the calculation of gains **L** and **M** more robust, additive white noise inputs are assumed to affect the manipulated variables and measured disturbances (see “Controller State Estimation”). These white noise inputs are not included in **model**.

index — Locations of variables within model

structure

Locations of variables within the inputs and outputs of `model`. The structure summarizes these locations with the following fields and values.

Field Name	Value
ManipulatedVariables	Indices of manipulated variables within the input vector of <code>model</code> .
MeasuredDisturbances	Indices of measured input disturbances within the input vector of <code>model</code> .
Offset	Index of the constant input 1 within the input vector of <code>model</code> .
WhiteNoise	Indices of unmeasured disturbance inputs within the input vector of <code>model</code> .
MeasuredOutputs	Indices of measured outputs within the output vector of <code>model</code> .
UmeasuredOutputs	Indices of unmeasured outputs within the output vector of <code>model</code> .

More About

State Estimator Equations

The following equations describe the state estimation. For more details, see “Controller State Estimation”.

Output estimate: $y_m[n | n-1] = C_m x[n | n-1] + D_{vm} v[n]$.

Measurement update: $x[n | n] = x[n | n-1] + M (y_m[n] - y_m[n | n-1])$.

Time update: $x[n+1 | n] = A x[n | n-1] + B_u u[n] + B_v v[n] + L (y_m[n] - y_m[n | n-1])$.

Estimator state: $x[n+1 | n] = (A - L C_m) x[n | n-1] + B_u u[n] + (B_v - L D_{vm}) v[n] + L y_m[v]$.

The estimator state is based on the current measurement of $y_m[n]$ and $v[n]$ as well as the optimal control action $u[n]$ computed at the current control interval.

The variables in these equations are summarized in the following table.

Symbol	Description
x	<p>Controller state vector, length n_x. It includes (in this sequence):</p> <ul style="list-style-type: none"> • Plant model state estimates. Dimension obtained by conversion of <code>MPCobj.Model.Plant</code> to discrete LTI state-space form (if necessary), followed by use of <code>absorbDelay</code> to convert any delays to additional states. • Input disturbance model state estimates (if any). Use the <code>getindist</code> command to review the input disturbance model structure. • Output disturbance model state estimates (if any). Use the <code>getoutdist</code> command to review the output disturbance model structure. • Output measurement noise states (if any) as specified by <code>MPCobj.Model.Noise</code>. <p>The length n_x is the sum of the number of states in the above four categories.</p>
y_m	Vector of measured outputs or an estimate of their true values, length n_{ym} .
u	Vector of manipulated variables, length n_u .
v	Vector of measured input disturbances, length n_v .
$[j k]$	Denotes an estimate of a state or output at time t_j based on data available at time t_k .
$[k]$	Denotes a quantity known at time t_k , i.e., not an estimate.
A	n_x -by- n_x state transition matrix.
B_u	n_x -by- n_u matrix mapping u to x .
B_v	n_x -by- n_x matrix mapping v to x .
C_m	n_{ym} -by- n_x matrix mapping x to y_m .
D_{vm}	n_{ym} -by- n_v matrix mapping v to y_m . Note that $D_{um} = 0$ because there can be no direct feedthrough between any manipulated variable and any measured output.

Symbol	Description
<i>L</i>	n_x -by- n_{ym} Kalman gain matrix for the time update. (See <code>kalmd</code> in the Control System Toolbox™ documentation.) Note that $L = A*M$ minimizes the expected state estimation error for most combinations of plant and disturbance models used in MPC, but this is not true in general.
<i>M</i>	n_x -by- n_{ym} Kalman gain matrix for the measurement update. (See <code>kalmd</code> in the Control System Toolbox documentation.)

- “Controller State Estimation”
- “MPC Modeling”

See Also

`getindist` | `getoutdist` | `mpc` | `mpcstate` | `setEstimator`

Introduced in R2014b

getindist

Retrieve unmeasured input disturbance model

Syntax

```
indist = getindist(MPCobj)
[indist,channels] = getindist(MPCobj)
```

Description

`indist = getindist(MPCobj)` returns the input disturbance model, `indist`, used by the model predictive controller, `MPCobj`.

`[indist,channels] = getindist(MPCobj)` also returns the input channels to which integrated white noise has been added by default. For more information on the default model, see “MPC Modeling”.

Examples

Retrieve Input Disturbance Model

Define a plant model with no direct feedthrough.

```
plant = rss(3,1,2);
plant.d = 0;
```

Set the first input signal as a manipulated variable and the second input as an unmeasured disturbance.

```
plant = setmpcsignals(plant, 'MV', [1], 'UD', [2]);
```

Create an MPC controller for the defined plant.

```
MPCobj = mpc(plant,0.1);
```

```
-->The "PredictionHorizon" property of "mpc" object is empty. Trying PredictionHorizon
-->The "ControlHorizon" property of the "mpc" object is empty. Assuming 2.
```

```
-->The "Weights.ManipulatedVariables" property of "mpc" object is empty. Assuming default
-->The "Weights.ManipulatedVariablesRate" property of "mpc" object is empty. Assuming default
-->The "Weights.OutputVariables" property of "mpc" object is empty. Assuming default 1
```

Extract the input disturbance model.

```
indist = getindist(MPCobj);
```

```
-->Converting model to discrete time.
-->The "Model.Disturbance" property of "mpc" object is empty:
    Assuming unmeasured input disturbance #2 is integrated white noise.
    Assuming no disturbance added to measured output channel #1.
-->The "Model.Noise" property of the "mpc" object is empty. Assuming white noise on each
```

Retrieve Input Disturbance Model Channels with Default Integrated White Noise

Define a plant model with no direct feedthrough.

```
plant = rss(3,1,3);
plant.d = 0;
```

Set the first input signal as a manipulated variable and the other two inputs as unmeasured disturbances.

```
plant = setmpcsignals(plant, 'MV', [1], 'UD', [2 3]);
```

Create an MPC controller for the defined plant.

```
MPCobj = mpc(plant,0.1);
```

```
-->The "PredictionHorizon" property of "mpc" object is empty. Trying PredictionHorizon 1
-->The "ControlHorizon" property of the "mpc" object is empty. Assuming 2.
-->The "Weights.ManipulatedVariables" property of "mpc" object is empty. Assuming default
-->The "Weights.ManipulatedVariablesRate" property of "mpc" object is empty. Assuming default
-->The "Weights.OutputVariables" property of "mpc" object is empty. Assuming default 1
```

Extract the default output disturbance model.

```
[indist,channels] = getindist(MPCobj);
```

```
-->Converting model to discrete time.
-->The "Model.Disturbance" property of "mpc" object is empty:
    Assuming unmeasured input disturbance #2 is integrated white noise.
    Assuming unmeasured input disturbance #3 is white noise.
    Assuming no disturbance added to measured output channel #1.
-->The "Model.Noise" property of the "mpc" object is empty. Assuming white noise on each
```

Check which input disturbance channels have integrated white noise added by default.

```
channels
```

```
channels =
```

```
1
```

An integrator has been added only to the first unmeasured input disturbance. The other input disturbance uses a static unity gain to preserve state observability.

Input Arguments

MPCobj — Model predictive controller

MPC controller object

Model predictive controller, specified as an MPC controller object. To create an MPC controller, use `mpc`.

Output Arguments

indist — Input disturbance model

discrete-time, delay-free, state-space model

Input disturbance model used by the model predictive controller, `MPCobj`, returned as a discrete-time, delay-free, state-space model.

The input disturbance model has:

- Unit-variance white noise input signals. By default, the number of inputs depends upon the number of unmeasured input disturbances and the need to maintain controller state observability. For custom input disturbance models, the number of inputs is your choice.
- n_d outputs, where n_d is the number of unmeasured disturbance inputs defined in `MPCobj.Model.Plant`. Each disturbance model output is sent to the corresponding plant unmeasured disturbance input.

If `MPCObj` does not have any unmeasured disturbance, `indist` is returned as an empty state-space model.

This model, in combination with the output disturbance model (if any), governs how well the controller compensates for unmeasured disturbances and modeling errors. For more information on the disturbance modeling in MPC and about the model used during state estimation, see “MPC Modeling” and “Controller State Estimation”.

channels – Input channels with integrated white noise

vector of input indices

Input channels with integrated white noise added by default, returned as a vector of input indices. If you set `indist` to a custom input disturbance model using `setindist`, `channels` is empty.

More About

Tips

- To specify a custom input disturbance model, use the `setindist` command.
- “MPC Modeling”
- “Controller State Estimation”

See Also

`getEstimator` | `getoutdist` | `mpc` | `setEstimator` | `setindist`

Introduced in R2006a

getname

Retrieve I/O signal names in MPC prediction model

Syntax

```
name = getname(MPCObj, 'input', I)
name = getname(MPCObj, 'output', I)
```

Description

`name = getname(MPCObj, 'input', I)` returns the name of the Ith input signal in variable `name`. This is equivalent to `name = MPCObj.Model.Plant.InputName{I}`. The `name` property is equal to the contents of the corresponding `Name` field of `MPCObj.DisturbanceVariables` or `MPCObj.ManipulatedVariables`.

`name = getname(MPCObj, 'output', I)` returns the name of the Ith output signal in variable `name`. This is equivalent to `name=MPCObj.Model.Plant.OutputName{I}`. The `name` property is equal to the contents of the corresponding `Name` field of `MPCObj.OutputVariables`.

See Also

`mpc` | `set` | `setname`

Introduced before R2006a

getoutdist

Retrieve unmeasured output disturbance model

Syntax

```
outdist = getoutdist(MPCobj)
[outdist,channels] = getoutdist(MPCobj)
```

Description

`outdist = getoutdist(MPCobj)` returns the output disturbance model, `outdist`, used by the model predictive controller, `MPCobj`.

`[outdist,channels] = getoutdist(MPCobj)` also returns the output channels to which integrated white noise has been added by default. For more information on the default model, see “MPC Modeling”.

Examples

Retrieve Output Disturbance Model

Define a plant model with no direct feedthrough, and create an MPC controller for that plant.

```
plant = rss(3,2,2);
plant.d = 0;
MPCobj = mpc(plant,0.1);
```

```
-->The "PredictionHorizon" property of "mpc" object is empty. Trying PredictionHorizon
-->The "ControlHorizon" property of the "mpc" object is empty. Assuming 2.
-->The "Weights.ManipulatedVariables" property of "mpc" object is empty. Assuming defau
-->The "Weights.ManipulatedVariablesRate" property of "mpc" object is empty. Assuming d
-->The "Weights.OutputVariables" property of "mpc" object is empty. Assuming default 1
```

Extract the output disturbance model.

```
outdist = getoutdist(MPCobj);
-->Converting model to discrete time.
```

```
-->Assuming output disturbance added to measured output channel #1 is integrated white
-->Assuming output disturbance added to measured output channel #2 is integrated white
-->The "Model.Noise" property of the "mpc" object is empty. Assuming white noise on ea
```

Retrieve Output Disturbance Model Channels with Default Integrated White Noise

Define a plant model with no direct feedthrough, and create an MPC controller for that plant.

```
plant = rss(3,3,3);
plant.d = 0;
MPCobj = mpc(plant,0.1);
```

```
-->The "PredictionHorizon" property of "mpc" object is empty. Trying PredictionHorizon
-->The "ControlHorizon" property of the "mpc" object is empty. Assuming 2.
-->The "Weights.ManipulatedVariables" property of "mpc" object is empty. Assuming defa
-->The "Weights.ManipulatedVariablesRate" property of "mpc" object is empty. Assuming
-->The "Weights.OutputVariables" property of "mpc" object is empty. Assuming default 1
```

Extract the default output disturbance model.

```
[outdist,channels] = getoutdist(MPCobj);
```

```
-->Converting model to discrete time.
-->Assuming output disturbance added to measured output channel #1 is integrated white
-->Assuming output disturbance added to measured output channel #2 is integrated white
-->Assuming output disturbance added to measured output channel #3 is integrated white
-->The "Model.Noise" property of the "mpc" object is empty. Assuming white noise on ea
```

Check which channels have default integrated white noise disturbances.

```
channels
```

```
channels =
```

```
    1    2    3
```

Integrators have been added to all three output channels.

Input Arguments

MPCobj — Model predictive controller

MPC controller object

Model predictive controller, specified as an MPC controller object. To create an MPC controller, use `mpc`.

Output Arguments

outdist — Output disturbance model

discrete-time, delay-free, state-space model

Output disturbance model used by the model predictive controller, `MPCobj`, returned as a discrete-time, delay-free, state-space model.

The output disturbance model has:

- n_y outputs, where n_y is the number of plant outputs defined in `MPCobj.Model.Plant`. Each disturbance model output is added to the corresponding plant output. By default, disturbance models corresponding to unmeasured output channels are zero.
- Unit-variance white noise input signals. By default, the number of inputs is equal to the number of default integrators added.

This model, in combination with the input disturbance model (if any), governs how well the controller compensates for unmeasured disturbances and modeling errors. For more information on the disturbance modeling in MPC and about the model used during state estimation, see “MPC Modeling” and “Controller State Estimation”.

channels — Output channels with integrated white noise

vector of output indices

Output channels with integrated white noise added by default, returned as a vector of output indices. If you set `outdist` to a custom output disturbance model using `setoutdist`, `channels` is empty.

More About

Tips

- To specify a custom output disturbance model, use the `setoutdist` command.
- “MPC Modeling”

- “Controller State Estimation”

See Also

getEstimator | getindist | mpc | setEstimator | setoutdist

Introduced before R2006a

gpc2mpc

Generate MPC controller using generalized predictive controller (GPC) settings

Syntax

```
mpc = gpc2mpc(plant)
gpcOptions = gpc2mpc
mpc = gpc2mpc(plant,gpcOptions)
```

Description

mpc = `gpc2mpc(plant)` generates a single-input single-output MPC controller with default GPC settings and sampling time of the plant, *plant*. The GPC is a nonminimal state-space representation described in [1]. *plant* is a discrete-time LTI model with sampling time greater than 0.

gpcOptions = `gpc2mpc` creates a structure *gpcOptions* containing default values of GPC settings.

mpc = `gpc2mpc(plant,gpcOptions)` generates an MPC controller using the GPC settings in *gpcOptions*.

Input Arguments

plant

Discrete-time LTI model with sampling time greater than 0.

Default:

gpcOptions

GPC settings, specified as a structure with the following fields.

N1	Starting interval in prediction horizon, specified as a positive integer. Default: 1.
----	---

N2	Last interval in prediction horizon, specified as a positive integer greater than N1. Default: 10.
NU	Control horizon, specified as a positive integer less than the prediction horizon. Default: 1.
Lam	Penalty weight on changes in manipulated variable, specified as a positive integer greater than or equal to 0. Default: 0.
T	Numerator of the GPC disturbance model, specified as a row vector of polynomial coefficients whose roots lie within the unit circle. Default: [1].
MVindex	Index of the manipulated variable for multi-input plants, specified as a positive integer. Default: 1.

Default:

Examples

Design an MPC controller using GPC settings:

```
% Specify the plant described in Example 1.8 of
% [1].
G = tf(9.8*[1 -0.5 6.3],conv([1 0.6565],[1 -0.2366 0.1493]));

% Discretize the plant with sample time of 0.6 seconds.
Ts = 0.6;
Gd = c2d(G, Ts);

% Create a GPC settings structure.
GPCoptions = gpc2mpc;

% Specify the GPC settings described in example 4.11 of
% [1].
% Hu
GPCoptions.NU = 2;
% Hp
```

```
GPCOptions.N2 = 5;
% R
GPCOptions.Lam = 0;
GPCOptions.T = [1 -0.8];

% Convert GPC to an MPC controller.
mpc = gpc2mpc(Gd, GPCOptions);

% Simulate for 50 steps with unmeasured disturbance between
% steps 26 and 28, and reference signal of 0.
SimOptions = mpcsimopt(mpc);
SimOptions.UnmeasuredDisturbance = [zeros(25,1); ...
-0.1*ones(3,1); 0];
sim(mpc, 50, 0, SimOptions);
```

More About

Tips

- For plants with multiple inputs, only one input is the manipulated variable, and the remaining inputs are measured disturbances in feedforward compensation. The plant output is the measured output of the MPC controller.
- Use the MPC controller with Model Predictive Control Toolbox™ software for simulation and analysis of the closed-loop performance.
- “Design Controller Using MPC Designer”
- “Design MPC Controller at the Command Line”

References

- [1] Maciejowski, J. M. *Predictive Control with Constraints*, Pearson Education Ltd., 2002, pp. 133–142.

See Also

“MPC Controller Object” on page 3-2

Introduced in R2010a

mpc

Create MPC controller

Syntax

```
MPCobj = mpc(Plant)
MPCobj = mpc(Plant, Ts)
MPCobj = mpc(Plant, Ts, p, m, W, MV, OV, DV)
MPCobj = mpc(Models, Ts, p, m, W, MV, OV, DV)
```

Description

`MPCobj = mpc(Plant)` creates a Model Predictive Controller object based on a discrete-time prediction model. The prediction model `Plant` can be either an LTI model with a specified sample time, or a System Identification model (see “Identify Plant from Data”). The controller, `MPCobj`, inherits its control interval from `Plant.Ts`, and its time unit from `Plant.TimeUnit`. All other controller properties are default values. After you create the MPC controller, you can set its properties using `MPCobj.PropertyName = PropertyValue`.

`MPCobj = mpc(Plant, Ts)` specifies a control interval of `Ts`. If `Plant` is a discrete-time LTI model with an unspecified sample time (`Plant.Ts = -1`), it inherits sample time `Ts` when used for predictions.

`MPCobj = mpc(Plant, Ts, p, m, W, MV, OV, DV)` specifies additional controller properties such as the prediction horizon (`p`), control horizon (`m`), and input, input increment, and output weights (`W`). You can also set the properties of manipulated variables (`MV`), output variables (`OV`), and input disturbance variables (`DV`). If any of these values are omitted or empty, the default values apply.

`MPCobj = mpc(Models, Ts, p, m, W, MV, OV, DV)` creates a Model Predictive Controller object based on a prediction model set, `Models`. This set includes plant, input disturbance, and measurement noise models along with the nominal conditions at which the models were obtained.

Input Arguments

Plant

Plant model to be used in predictions, specified as an LTI model (`tf`, `ss`, or `zpk`) or a System Identification Toolbox™ model. If the `Ts` input argument is unspecified, `Plant` must be a discrete-time LTI object with a specified sample time, or a System Identification Toolbox model.

Unless you specify otherwise, controller design assumes that all plant inputs are manipulated variables and all plant outputs are measured. Use the `setmpcsignals` command or the LTI `InputGroup` and `OutputGroup` properties to designate other signal types.

Ts

Controller sample time (control interval), specified as a positive scalar value.

p

Prediction horizon, specified as a positive integer. The control interval, `Ts`, determines the duration of each step. The default value is 10 + maximum intervals of delay (if any).

m

Control horizon, specified as a scalar integer, $1 \leq m \leq p$, or as a vector of blocking factors such that $\text{sum}(m) \leq p$ (see “Optimization Variables”). The default value is 2.

W

Controller tuning weights, specified as a structure. For details about how to specify this structure, see “Weights” on page 1-65.

MV

Bounds and other properties of manipulated variables, specified as a 1-by-`nu` structure array, where `nu` is the number of manipulated variables defined in the plant model. For details about how to specify this structure, see “ManipulatedVariables” on page 1-62.

OV

Bounds and other properties of the output variables, specified as a 1-by-`ny` structure array, where `ny` is the number of output variables defined in the plant model. For details about how to specify this structure, see “OutputVariables” on page 1-63.

DV

Scale factors and other properties of the disturbance inputs, specified as a 1-by-nd structure array, where nd is the number of disturbance inputs (measured + unmeasured) defined in the plant model. For details about how to specify this structure, see “DisturbanceVariables” on page 1-64.

Models

Plant, input disturbance, and measurement noise models, along with the nominal conditions at which these models were obtained, specified as a structure. For details about how to specify this structure, see “Model” on page 1-67.

Construction and Initialization

To minimize computational overhead, Model Predictive Controller creation occurs in two phases. The first happens at *construction* when you invoke the `mpc` command, or when you change a controller property. Construction involves simple validity and consistency checks, such as signal dimensions and non-negativity of weights.

The second phase is *initialization*, which occurs when you use the object for the first time in a simulation or analytical procedure. Initialization computes all constant properties required for efficient numerical performance, such as matrices defining the optimal control problem and state estimator gains. Additional, diagnostic checks occur during initialization, such as verification that the controller states are observable.

By default, both phases display informative messages in the command window. You can turn these messages on or off using the `mpcverbosity` command.

Properties

All of the parameters defining the traditional (implicit) MPC control law are stored in an MPC object, whose properties are listed in the following table.

MPC Controller Object

Property	Description
ManipulatedVariables (or MV or Manipulated or Input)	Scale factors, input bounds, input-rate bounds, corresponding ECR values, target values, signal names, and units.

Property	Description
OutputVariables (or OV or Controlled or Output)	Scale factors, input bounds, input-rate bounds, corresponding ECR values, target values, signal names, and units.
DisturbanceVariables (or DV or Disturbance)	Disturbance scale factors, names, and units
Weights	Weights used in computing the performance (cost) function
Model	Plant, input disturbance, and output noise models, and nominal conditions.
Ts	Controller sample time
Optimizer	Parameters controlling the QP solver
PredictionHorizon	Prediction horizon
ControlHorizon	Number of free control moves or vector of blocking moves
History	Creation time
Notes	Text or comments about the MPC controller object
UserData	Any additional data

ManipulatedVariables

ManipulatedVariables (or MV or Manipulated or Input) is an n_u -dimensional array of structures (n_u = number of manipulated variables), one per manipulated variable. Each structure has the fields described in the following table, where p denotes the prediction horizon. Unless indicated otherwise, numerical values are in engineering units.

Manipulated Variable Structure

Field Name	Content	Default
ScaleFactor	Nonnegative scale factor for this MV	1
Min	1 to p length vector of lower bounds on this MV	- Inf

Field Name	Content	Default
Max	1 to p length vector of upper bounds on this MV	Inf
MinECR	1 to p length vector of nonnegative parameters specifying the Min bound softness (0 = hard).	0 (dimensionless)
MaxECR	1 to p length vector of nonnegative parameters specifying the Max bound softness (0 = hard).	0 (dimensionless)
Target	1 to p length vector of target values for this MV	'nominal'
RateMin	1 to p length vector of lower bounds on the interval-to-interval change for this MV	- Inf
RateMax	1 to p length vector of upper bounds on the interval-to-interval change for this MV	Inf
RateMinECR	1 to p length vector of nonnegative parameters specifying the RateMin bound softness (0 = hard).	0 (dimensionless)
RateMaxECR	1 to p length vector of nonnegative parameters specifying the RateMax bound softness (0 = hard).	0 (dimensionless)
Name	Read-only MV signal name (character string)	InputName of LTI plant model
Units	Read-only MV signal units (character string)	InputUnit of LTI plant model

Note Rates refer to the difference $\Delta u(k)=u(k)-u(k-1)$. Constraints and weights based on derivatives du/dt of continuous-time input signals must be properly reformulated for the discrete-time difference $\Delta u(k)$, using the approximation $du/dt \cong \Delta u(k)/T_s$.

OutputVariables

OutputVariables (or OV or Controlled or Output) is an n_y -dimensional array of structures (n_y = number of outputs), one per output signal. Each structure has the

fields described in the following table. p denotes the prediction horizon. Unless specified otherwise, values are in engineering units.

Output Variable Structure

Field Name	Content	Default
ScaleFactor	Nonnegative scale factor for this OV	1
Min	1 to p length vector of lower bounds on this OV	- Inf
Max	1 to p length vector of upper bounds on this OV	Inf
MinECR	1 to p length vector of nonnegative parameters specifying the Min bound softness (0 = hard).	1 (dimensionless)
MaxECR	1 to p length vector of nonnegative parameters specifying the Max bound softness (0 = hard).	1 (dimensionless)
Name	Read-only OV signal name (character string)	OutputName of LTI plant model
Units	Read-only OV signal units (character string)	OutputUnit of LTI plant model

In order to reject constant disturbances due, for instance, to gain nonlinearities, the default measured output disturbance model used in Model Predictive Control Toolbox software is integrated white noise (see “Output Disturbance Model”).

DisturbanceVariables

DisturbanceVariables (or DV or Disturbance) is an (n_v+n_d) -dimensional array of structures (n_v = number of measured input disturbances, n_d = number of unmeasured input disturbances). Each structure has the fields described in the following table.

Disturbance Variable Structure

Field Name	Content	Default
ScaleFactor	Nonnegative scale factor for this DV	1
Name	Read-only DV signal name (character string)	InputName of LTI plant model

Field Name	Content	Default
Units	Read-only DV signal units (character string)	InputUnit of LTI plant model

The order of the disturbance signals within the array DV is the following: the first n_v entries relate to measured input disturbances, the last n_d entries relate to unmeasured input disturbances.

Weights

Weights is the structure defining the QP weighting matrices. It contains four fields. The values of these fields depend on whether you are using the standard quadratic cost function (see “Standard Cost Function”) or the alternative cost function (see “Alternative Cost Function”).

Standard Cost Function

The following table lists the content of the four structure fields. In the table, p denotes the prediction horizon, n_u the number of manipulated variables, and n_y the number of output variables.

For the MV, MVRate and OV weights, if you specify fewer than p rows, the last row repeats automatically to form a matrix containing p rows.

Weights for the Standard Cost Function

Field Name (Abbreviations)	Content	Default (dimensionless)
ManipulatedVariables (or MV or Manipulated or Input)	(1 to p)-by- n_u dimensional array of nonnegative MV weights	<code>zeros(1, nu)</code>
ManipulatedVariablesRate (or MVRate or ManipulatedRate or InputRate)	(1 to p)-by- n_u dimensional array of MV-increment weights	<code>0.1*ones(1, nu)</code>
OutputVariables (or OV or Controlled or Output)	(1 to p)-by- n_y dimensional array of OV weights	1 (The default for output weights is the following: if $n_u \geq n_y$, all outputs are weighted with unit weight; if $n_u < n_y$, n_u outputs default to 1, with preference given

Field Name (Abbreviations)	Content	Default (dimensionless)
		to measured outputs, and the rest default to 0.)
ECR	Scalar weight on the slack variable ε used for constraint softening	1e5*(max weight)

Note If all `MVRate` weights are strictly positive, the resulting QP problem is strictly convex. If some `MVRate` weights are zero, the QP Hessian could be positive semidefinite. In order to keep the QP problem strictly convex, when the condition number of the Hessian matrix $K_{\Delta U}$ is larger than 10^{12} , the quantity $10*\text{sqrt}(\text{eps})$ is added to each diagonal term. See “Cost Function”.

Alternative Cost Function

You can specify off-diagonal Q and R weight matrices in the cost function. To do so, define the fields `ManipulatedVariables`, `ManipulatedVariablesRate`, and `OutputVariables` as cell arrays, each containing a single positive-semi-definite matrix of the appropriate size. Specifically, `OutputVariables` must be a cell array containing the n_y -by- n_y Q matrix, `ManipulatedVariables` must be a cell array containing the n_u -by- n_u R_u matrix, and `ManipulatedVariablesRate` must be a cell array containing the n_u -by- n_u $R_{\Delta u}$ matrix (see “Alternative Cost Function” and the `mpcweightdemo` example). You can use diagonal weight matrices for one or more of these fields. If you omit a field, the MPC controller uses the defaults shown in the table above.

For example, you can specify off-diagonal weights, as follows

```
MPCobj.Weights.OutputVariables = {Q};
MPCobj.Weights.ManipulatedVariables = {Ru};
MPCobj.Weights.ManipulatedVariablesRate = {Rdu};
```

where $Q = Q$, $R_u = R_u$, and $R_{du} = R_{\Delta u}$ are positive semidefinite matrices.

Note You cannot specify non-diagonal weights that vary at each prediction horizon step. The same Q , R_u , and R_{du} weights apply at each step.

Model

The property `Model` specifies plant, input disturbance, and output noise models, and nominal conditions, according to the model setup described in “Controller State Estimation”. It is a 1-D structure containing the following fields.

Models Used by MPC

Field Name	Content	Default									
Plant	LTI model or identified linear model of the plant	No default									
Disturbance	LTI model describing expected unmeasured input disturbances	[] (By default, input disturbances are expected to be integrated white noise. To model the signal, an integrator with dimensionless unity gain is added for each unmeasured input disturbance, unless the addition causes the controller to lose state observability. In that case, the disturbance is expected to be white noise, and so, a dimensionless unity gain is added to that channel instead.)									
Noise	LTI model describing expected noise for output measurements	[] (By default, measurement noise is expected to be white noise with unit variance. To model the signal, a dimensionless unity gain is added for each measured channel.)									
Nominal	Structure containing the state, input, and output values where <code>Model.Plant</code> is linearized	The default values of the fields are shown in the following table: <table border="1"> <thead> <tr> <th>Field</th> <th>Description</th> <th>Default</th> </tr> </thead> <tbody> <tr> <td>X</td> <td>Plant state at operating point</td> <td>[]</td> </tr> <tr> <td>U</td> <td>Plant input at operating point, including manipulated variables and measured</td> <td>[]</td> </tr> </tbody> </table>	Field	Description	Default	X	Plant state at operating point	[]	U	Plant input at operating point, including manipulated variables and measured	[]
Field	Description	Default									
X	Plant state at operating point	[]									
U	Plant input at operating point, including manipulated variables and measured	[]									

Field Name	Content	Default		
		Field	Description	Default
			and unmeasured disturbances	
		Y	Plant output at operating point	[]
		DX	For continuous-time models, DX is the state derivative at operating point: $DX=f(X,U)$. For discrete-time models, $DX=x(k+1)-x(k)=f(X,U)-X$.	[]

Note Direct feedthrough from manipulated variables to any output in `Model.Plant` is not allowed. See “MPC Modeling”.

Specify input and output signal types via the `InputGroup` and `OutputGroup` properties of `Model.Plant`, or, more conveniently, use the `setmpcsignals` command. Valid signal types are listed in the following tables.

Input Groups in Plant Model

Name (Abbreviations)	Value
ManipulatedVariables (or MV or Manipulated or Input)	Indices of manipulated variables in <code>Model.Plant</code>
MeasuredDisturbances (or MD or Measured)	Indices of measured disturbances in <code>Model.Plant</code>
UnmeasuredDisturbances (or UD or Unmeasured)	Indices of unmeasured disturbances in <code>Model.Plant</code>

Output Groups in Plant Model

Name (Abbreviations)	Value
MeasuredOutputs (or MO or Measured)	Indices of measured outputs in <code>Model.Plant</code>

Name (Abbreviations)	Value
UnmeasuredOutputs (or UO or Unmeasured)	Indices of unmeasured outputs in Model.Plant

By default, all Model.Plant inputs are manipulated variables, and all outputs are measured.

The structure Nominal contains the values (in engineering units) for states, inputs, outputs, and state derivatives/differences at the operating point where Model.Plant applies. This point is typically a linearization point. The fields are reported in the following table (see also “MPC Modeling”).

Nominal Values at Operating Point

Field	Description	Default
X	Plant state at operating point	[]
U	Plant input at operating point, including manipulated variables and measured and unmeasured disturbances	[]
Y	Plant output at operating point	[]
DX	For continuous-time models, DX is the state derivative at operating point: $DX=f(X,U)$. For discrete-time models, $DX=x(k+1)-x(k)=f(X,U)-X$.	[]

Ts

Sample time of the MPC controller. By default, if Model.Plant is a discrete-time model, $Ts = Model.Plant.ts$. For continuous-time plant models, specify a controller Ts. The Ts measurement unit is inherited from Model.Plant.TimeUnit.

Optimizer

Parameters for the QP optimization. Optimizer is a structure with the following fields:

Optimizer Properties

Field	Description	Default
MaxIter	Maximum number of iterations allowed in the QP solver, specified as one of the following:	'Default'

Field	Description	Default
	<ul style="list-style-type: none"> • 'Default' — The MPC controller automatically computes the maximum number of QP solver iterations as: $\text{MaxIter} = 4(p \cdot n_{cy} + c(n_{cu} + n_{cr} + n_u)) + n_{sv}$ where <ul style="list-style-type: none"> • p is the prediction horizon. • c is the control horizon. • n_{cy} is the number of OV constraints. • n_{cu} is the number of MV constraints. • n_{cr} is the number of MV rate constraints. • n_u is the number of MVs. • n_{sv} is the number of slack variables. • Positive integer — The QP solver stops after <code>MaxIter</code> iterations. 	
<p><code>MinOutputECR</code></p>	<p>Minimum value allowed for <code>OutputMinECR</code> and <code>OutputMaxECR</code>, specified as a nonnegative scalar. A value of 0 indicates that hard output constraints are allowed. If either of the <code>OutputVariables.MinECR</code> or <code>OutputVariables.MaxECR</code> properties of an MPC controller are less than <code>MinOutputECR</code>, a warning is displayed and the value is raised to <code>MinOutputECR</code> during computation.</p>	<p>0</p>
<p><code>CustomSolver</code></p>	<p>Flag indicating whether to use a custom QP solver, specified as a logical value. If <code>CustomSolver</code> is <code>true</code>, the user must provide an <code>mpcCustomSolver</code> function on the MATLAB path. For information on how</p>	<p>false</p>

Field	Description	Default
	to define the <code>mpcCustomSolver</code> function, see “Custom QP Solver”.	

Note: The default `MaxIter` value can be very large for some controller configurations, such as those with large prediction and control horizons. When simulating such controllers, if the QP solver cannot find a feasible solution, the simulation can appear to stop responding, since the solver continues searching for `MaxIter` iterations.

PredictionHorizon

`PredictionHorizon` is the integer number of prediction horizon steps. The control interval, `Ts`, determines the duration of each step. The default value is 10 + maximum intervals of delay (if any).

ControlHorizon

`ControlHorizon` is either a number of free control moves, or a vector of blocking moves (see “Optimization Variables”). The default value is 2.

History

`History` stores the time the MPC controller was created (read only).

Notes

`Notes` stores text or comments as a cell array of strings.

UserData

Any additional data stored within the MPC controller object.

Examples

Create MPC Controller with Specified Prediction and Control Horizons

Create a plant model with the transfer function $s + 1/(s^2 + 2s)$.

```
Plant = tf([1 1],[1 2 0]);
```

The plant is SISO, so its input must be a manipulated variable and its output must be measured. In general, it is good practice to designate all plant signal types using either the `setmpcsignals` command, or the `LTI InputGroup` and `OutputGroup` properties.

Specify a sample time for the controller.

```
Ts = 0.1;
```

Define bounds on the manipulated variable, u , such that $-1 \leq u \leq 1$.

```
MV = struct('Min',-1,'Max',1);
```

MV contains only the upper and lower bounds on the manipulated variable. In general, you can specify additional MV properties. When you do not specify other properties, their default values apply.

Specify a 20-interval prediction horizon, and a 3-interval control horizon.

```
p = 20;  
m = 3;
```

Create an MPC controller using the specified values. The fifth input argument is empty, so default tuning weights apply.

```
MPCobj = mpc(Plant,Ts,p,m,[],MV);
```

```
-->The "Weights.ManipulatedVariables" property of "mpc" object is empty. Assuming default  
-->The "Weights.ManipulatedVariablesRate" property of "mpc" object is empty. Assuming default  
-->The "Weights.OutputVariables" property of "mpc" object is empty. Assuming default 1
```

- “Design MPC Controller at the Command Line”

More About

- “MPC Modeling”

See Also

get | mpcprops | mpcverbosity | set | setmpcsignals

Introduced before R2006a

MPC Designer

Design and simulate model predictive controllers

Description

The MPC Designer app lets you design and simulate model predictive controllers in MATLAB and Simulink.

Using this app, you can:

- Interactively design model predictive controllers and validate their performance using simulation scenarios
- Obtain linear plant models by linearizing Simulink models (requires Simulink Control Design™)
- Review controller designs for potential run-time stability or numerical issues
- Compare response plots for multiple model predictive controllers
- Generate Simulink models with an MPC controller and plant model
- Generate MATLAB scripts to automate MPC controller design and simulation tasks

Limitations

The following advanced MPC features are not available in the MPC Designer app:

- Explicit MPC design
- Adaptive MPC design
- Custom constraints (`setconstraint`)
- Terminal weight specification (`setterminal`)
- Custom state estimation (`setEstimator`)
- Sensitivity analysis (`sensitivity`)
- Alternative cost functions with off-diagonal weights
- Specification of initial plant and controller states for simulation
- Specification of nominal state values using `mpcObj.Model.Nominal.X` and `mpcObj.Model.Nominal.DX`

- Updating weights, constraints, MV targets, and external MV online during simulations

If your application requires any of these features, design your controller at the command line, and run simulations using `mpcmove` and `sim`. You can also run simulations in Simulink when using these features.

Open the MPC Designer App

- MATLAB Toolstrip: On the **Apps** tab, under **Control System Design and Analysis**, click the app icon.
- MATLAB command prompt: Enter `mpcDesigner`.
- Simulink model editor: In the MPC Controller Block Parameters dialog box, click **Design**.

Examples

- “Design Controller Using MPC Designer”
- “Design MPC Controller in Simulink”
- “Compare Multiple Controller Responses Using MPC Designer”
- “Generate MATLAB Code from MPC Designer”
- “Generate Simulink Model from MPC Designer”

Programmatic Use

`mpcDesigner` opens the MPC Designer app. You can then import a plant or controller to start the design process, or open a saved design session.

`mpcDesigner(plant)` opens the MPC Designer app and creates a default MPC controller using `plant` as the internal prediction model. Specify `plant` as an `ss`, `tf`, or `zpk` LTI model.

By default, `plant` input and output signals are treated as manipulated variables and measured outputs respectively. To specify a different input/output channel configuration, use `setmpcsignals` before launching MPC Designer.

To use a System Identification Toolbox model as the plant, you must first convert it to an LTI model. For more information, see “Design Controller for Identified Plant” and “Design Controller Using Identified Model with Noise Channel”.

`mpcDesigner(MPCobj)` opens the MPC Designer app and imports the model predictive controller `MPCobj` from the MATLAB workspace. To create an MPC controller, use `mpc`.

`mpcDesigner(MPCobjs)` opens the MPC Designer app and imports multiple MPC controllers specified in the cell array `MPCobjs`. All of the controllers in `MPCobjs` must have the same input/output channel configuration.

`mpcDesigner(MPCobjs, names)` additionally specifies controller names when opening the app with multiple MPC controllers. Specify `names` as a cell array of strings with the same length as `MPCobjs`. Each element of `names` must be a unique string.

See Also

Functions

`mpc` | `sim`

Introduced in R2015b

mpcmove

Optimal control action

Syntax

```
u = mpcmove(MPCobj, x, ym, r, v)
[u, Info] = mpcmove(MPCobj, x, ym, r, v)
[u, Info] = mpcmove(MPCobj, x, ym, r, v, Options)
```

Description

`u = mpcmove(MPCobj, x, ym, r, v)` computes the optimal manipulated variable moves, $u(k)$, at the current time. $u(k)$ is calculated given the current estimated extended state, $x(k)$, the measured plant outputs, $y_m(k)$, the output references, $r(k)$, and the measured disturbances, $v(k)$, at the current time k . Call `mpcmove` repeatedly to simulate closed-loop model predictive control.

`[u, Info] = mpcmove(MPCobj, x, ym, r, v)` returns additional information regarding the model predictive controller in the second output argument `Info`.

`[u, Info] = mpcmove(MPCobj, x, ym, r, v, Options)` overrides default constraints and weights settings in `MPCobj` with the values specified by `Options`, an `mpcmoveopt` object. Use `Options` to provide run-time adjustment in constraints and weights during the closed-loop simulation.

Input Arguments

MPCobj — Model predictive controller

MPC controller object

Model predictive controller, specified as an MPC controller object. To create an MPC controller, use `mpc`.

x

`mpcstate` object that defines the current controller state.

Before you begin a simulation with `mpcmove`, initialize the controller state using `x = mpcstate(MPCobj)`. Then, modify the default properties of `x` as appropriate.

If you are using default state estimation, `mpcmove` expects `x` to represent `x[n|n-1]`. The `mpcmove` command updates the state values in the previous control interval with that information. Therefore, you should not programmatically update `x` at all. The default state estimator employs a steady-state Kalman filter.

If you are using custom state estimation, `mpcmove` expects `x` to represent `x[n|n]`. Therefore, prior to each `mpcmove` command, you must set `x.Plant`, `x.Disturbance`, and `x.Noise` to the best estimates of these states (using the latest measurements) at the current control interval.

ym

1-by- n_{ym} vector of current measured output values at time k , where n_{ym} is the number of measured outputs.

If you are using custom state estimation, set `ym = []`.

r

Plant output reference values, specified as a p -by- n_y array, where p is the prediction horizon of `MPCobj` and n_y is the number of outputs. Row `r(i, :)` defines the reference values at step i of the prediction horizon.

`r` must contain at least one row. If `r` contains fewer than p rows, `mpcmove` duplicates the last row to fill the p -by- n_y array. If you supply exactly one row, therefore, a constant reference applies for the entire prediction horizon.

To implement reference previewing, which can improve tracking when a reference varies in a predictable manner, `r` must contain the anticipated variations, ideally for p steps.

v

Current and anticipated measured disturbances, specified as a p -by- n_{md} array, where p is the prediction horizon of `MPCobj` and n_{md} is the number of measured disturbances. Row `v(i, :)` defines the expected measured disturbance values at step i of the prediction horizon.

Modeling of measured disturbances provides feedforward control action. If your plant model does not include measured disturbances, use `v = []`.

v must contain at least one row. If v contains fewer than p rows, `mpcmove` duplicates the last row to fill the p -by- n_{md} array. If you supply exactly one row, therefore, a constant measured disturbance applies for the entire prediction horizon.

To implement disturbance previewing, which can improve tracking when a disturbance varies in a predictable manner, v must contain the anticipated variations, ideally for p steps.

Options

Override values for selected properties of `MPCobj`, specified as an options object you create with `mpcmoveopt`. These options apply to the current `mpcmove` time instant only. Using `Options` yields the same result as redefining or modifying `MPCobj` before each call to `mpcmove`, but involves considerably less overhead. Using `Options` is equivalent to using an `MPC Controller` Simulink block in combination with optional input signals that modify controller settings, such as MV and OV constraints.

Output Arguments

u — Optimal manipulated variable moves

row vector of length n_u

Optimal manipulated variable moves, returned as a row vector of length n_u , where n_u is the number of manipulated variables.

If the controller includes constraints and the QP solver fails to find a solution, u remains at its most recent successful solution, `x.LastMove`.

Info

Information regarding the model predictive controller, returned as a structure containing the following fields.

Uopt — Optimal manipulated variable adjustments

Optimal manipulated variable adjustments (moves), returned as a $p+1$ -by- n_u array, where p is the prediction horizon of `MPCobj` and n_u is the number of manipulated variables.

The first row of `Info.Uopt` is identical to the output argument `u`, which is the adjustment applied at the current time, `k`. `Uopt(i, :)` contains the predicted optimal values at time `k+i-1`, for `i = 1, ..., p+1`. The `mpcmove` command does not calculate optimal control moves at time `k+p`, and therefore sets `Uopt(p+1, :)` to NaN.

Yopt

Predicted optimal output variable sequence, returned as a $p+1$ -by- n_y array, where p is the prediction horizon of `MPCobj` and n_x is the number of outputs.

The first row of `Info.Yopt` contains the current outputs at time `k` after state estimation. `Yopt(i, :)` contains the predicted output values at time `k+i-1`, for `i = 1, ..., p+1`.

Xopt — Optimal predicted state variable sequence

Optimal predicted state variable sequence, returned as a $p+1$ -by- n_x array, where p is the prediction horizon of `MPCobj` and n_x is the number of states.

The first row of `Info.Xopt` contains the current states at time `k` as determined by state estimation. `Xopt(i, :)` contains the predicted state values at time `k+i-1`, for `i = 1, ..., p+1`.

Topt — Time intervals

Time intervals, returned as a $p+1$ -by- a vector. `Topt(1) = 0`, representing the current time. Subsequent time steps `Topt(i)` are given by `Ts*(i-1)`, where `Ts = MPCobj.Ts`, the controller sampling time.

Use `Topt` when plotting `Uopt`, `Xopt`, or `Yopt` sequences.

Slack — Slack variable

Slack variable, ϵ , used in constraint softening, returned as 0 or a positive scalar value.

- $\epsilon = 0$ — All constraints were satisfied for the entire prediction horizon.
- $\epsilon > 0$ — At least one soft constraint is violated. When more than one constraint is violated, ϵ represents the worst-case soft constraint violation (scaled by your ECR values for each constraint).

See “Optimization Problem” for more information.

Iterations — QP solution result

QP solution result, returned as a positive integer or one of several values with specific meanings as follows.

- `Iterations > 0` — Number of iterations needed to solve the quadratic programming (QP) problem that determines the optimal sequences.
- `Iterations = 0` — QP problem could not be solved in the allowed maximum number of iterations.
- `Iterations = -1` — QP problem was infeasible. A QP problem is infeasible if no solution can satisfy all the hard constraints.
- `Iterations = -2` — Numerical error occurred when solving the QP problem.

QPCode — QP solution status

QP solution status, returned as one of the following strings:

- `'feasible'` — Optimal solution was obtained (`Iterations > 0`)
- `'infeasible'` — QP solver detected a problem with no feasible solution (`Iterations = -1`) or a numerical error occurred (`Iterations = -2`)
- `'unreliable'` — QP solver failed to converge (`Iterations = 0`)

Cost — Objective function cost

nonnegative scalar

Objective function cost, returned as a nonnegative scalar value. The cost quantifies the degree to which the controller has achieved its objectives. See “Optimization Problem” for details.

The cost value is only meaningful when `QPCode = 'feasible'`.

Examples

Analyze Closed-Loop Response

Perform closed-loop simulation of a plant with one MV and one measured OV.

Define a plant model and create a model predictive controller with MV constraints.

```
ts = 2;
Plant = ss(0.8,0.5,0.25,0,ts);
MPCobj = mpc(Plant);
MPCobj.MV(1).Min = -2;
MPCobj.MV(1).Max = 2;
```

```
-->The "PredictionHorizon" property of "mpc" object is empty. Trying PredictionHorizon
-->The "ControlHorizon" property of the "mpc" object is empty. Assuming 2.
-->The "Weights.ManipulatedVariables" property of "mpc" object is empty. Assuming default
-->The "Weights.ManipulatedVariablesRate" property of "mpc" object is empty. Assuming default
-->The "Weights.OutputVariables" property of "mpc" object is empty. Assuming default 1
```

Initialize an `mpcstate` object for simulation. Use the default state properties.

```
x = mpcstate(MPCobj);
```

```
-->Assuming output disturbance added to measured output channel #1 is integrated white
-->The "Model.Noise" property of the "mpc" object is empty. Assuming white noise on each
```

Set the reference signal. There is no measured disturbance.

```
r = 1;
```

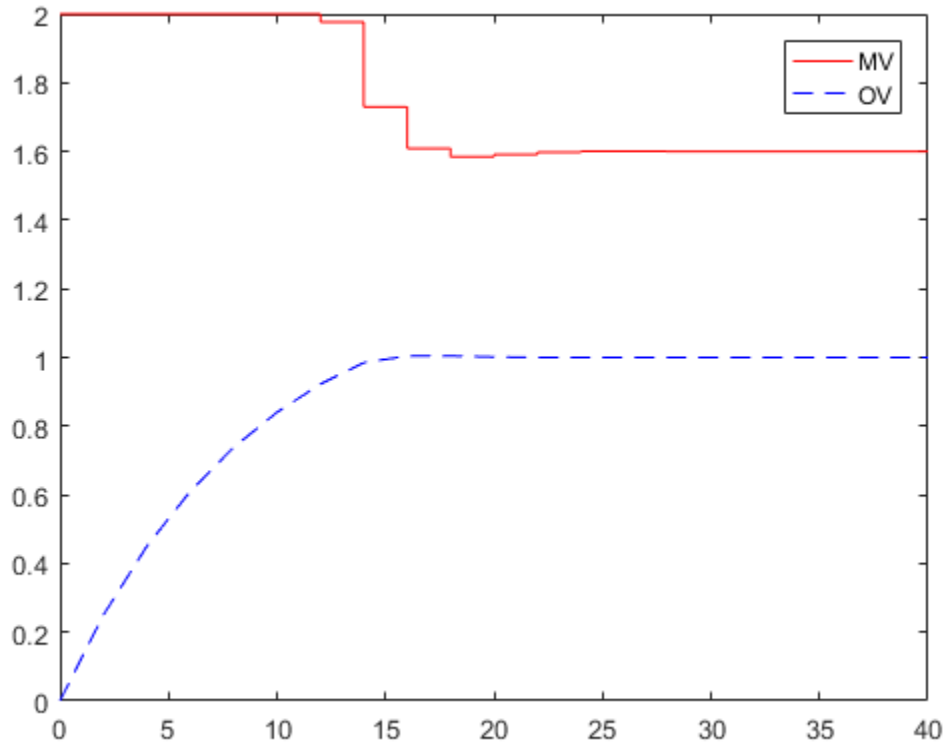
Simulate the closed-loop response by calling `mpcmove` iteratively.

```
t = [0:ts:40];
N = length(t);
y = zeros(N,1);
u = zeros(N,1);
for i = 1:N
    % simulated plant and predictive model are identical
    y(i) = 0.25*x.Plant;
    u(i) = mpcmove(MPCobj,x,y(i),r);
end
```

`y` and `u` store the OV and MV values.

Analyze the result.

```
[ts,us] = stairs(t,u);
plot(ts,us,'r-',t,y,'b--')
legend('MV','OV')
```

Modify the MV upper bound as the simulation proceeds using an `mpcmoveopt` object.

```
MPCopt = mpcmoveopt;
MPCopt.MVMin = -2;
MPCopt.MVMax = 2;
```

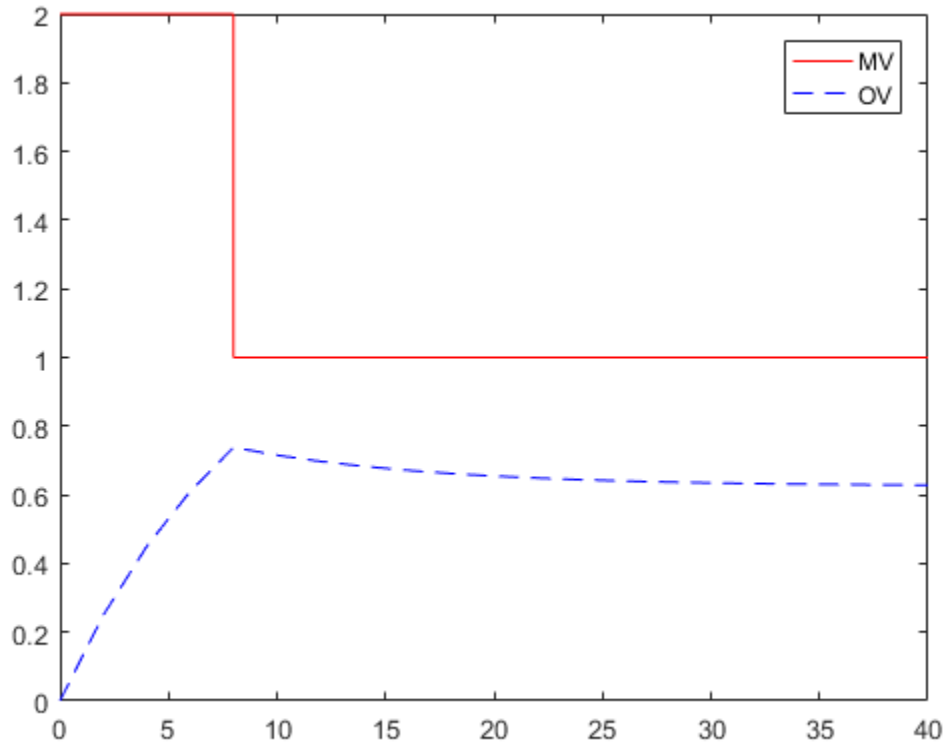
Simulate the closed-loop response and introduce the real-time upper limit change at eight seconds (the fifth iteration step).

```
x = mpcstate(MPCobj);
y = zeros(N,1);
u = zeros(N,1);
for i = 1:N
    % simulated plant and predictive model are identical
```

```
y(i) = 0.25*x.Plant;  
if i == 5  
    MPCopt.MVMax = 1;  
end  
u(i) = mpcmove(MPCobj,x,y(i),r,[],MPCopt);  
end
```

Analyze the result.

```
[ts,us] = stairs(t,u);  
plot(ts,us,'r-',t,y,'b--')  
legend('MV','OV')
```



Evaluate Scenario at Specific Time Instant

Define a plant model.

```
ts = 2;  
Plant = ss(0.8,0.5,0.25,0,ts);
```

Create a model predictive controller with MV and MVRate constraints. The prediction horizon is ten intervals. The control horizon is blocked.

```
MPCobj = mpc(Plant, ts, 10, [2 3 5]);  
MPCobj.MV(1).Min = -2;  
MPCobj.MV(1).Max = 2;  
MPCobj.MV(1).RateMin = -1;
```

```
MPCobj.MV(1).RateMax = 1;
```

```
-->The "Weights.ManipulatedVariables" property of "mpc" object is empty. Assuming default  
-->The "Weights.ManipulatedVariablesRate" property of "mpc" object is empty. Assuming default  
-->The "Weights.OutputVariables" property of "mpc" object is empty. Assuming default 1
```

Initialize an mpcstate object for simulation from a particular state.

```
x = mpcstate(MPCobj);  
x.Plant = 2.8;  
x.LastMove = 0.85;
```

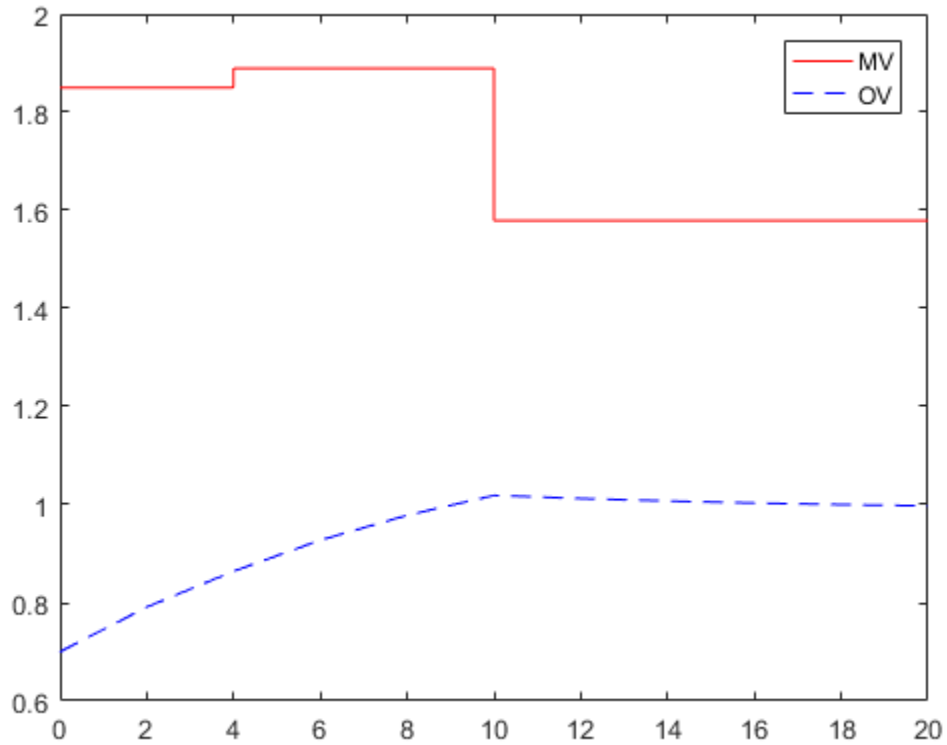
```
-->Assuming output disturbance added to measured output channel #1 is integrated white  
-->The "Model.Noise" property of the "mpc" object is empty. Assuming white noise on each
```

Compute the optimal control at current time.

```
y = 0.25*x.Plant;  
r = 1;  
[u,Info] = mpcmove(MPCobj,x,y,r);
```

Analyze the predicted optimal sequences.

```
[ts,us] = stairs(Info.Topt,Info.Uopt);  
plot(ts,us,'r-',Info.Topt,Info.Yopt,'b--')  
legend('MV','OV')
```



plot ignores `Info.Uopt(end)` as it is NaN.

Examine the optimal cost.

`Info.Cost`

ans =

0.0793

- MPC Control with Anticipative Action (Look-Ahead)
- MPC Control with Input Quantization Based on Comparing the Optimal Costs

- Analysis of Control Sequences Optimized by MPC on a Double Integrator System

Alternatives

- Use `sim` for plant mismatch and noise simulation when not using run-time constraints or weight changes.
- Use the MPC Designer app to interactively design and simulate model predictive controllers.
- Use the MPC Controller block in Simulink and for code generation.

More About

Tips

- `mpcmove` updates `x`.
- If `ym`, `r` or `v` is specified as `[]`, `mpcmove` uses the appropriate `MPCobj.Model.Nominal` value instead.
- To view the predicted optimal behavior for the entire prediction horizon, plot the appropriate sequences provided in `Info`.
- To determine the optimization status, check `Info.Iterations` and `Info.QPCode`.

See Also

`mpc` | `mpcmoveopt` | `mpcstate` | `review` | `sim` | `setEstimator` | `getEstimator`

Introduced before R2006a

mpcmoveAdaptive

Compute optimal control with prediction model updating

Syntax

```
u = mpcmoveAdaptive(MPCobj,x,Plant,Nominal,ym,r,v)
[u,info] = mpcmoveAdaptive(MPCobj,x,Plant,Nominal,ym,r,v)
[ ___ ] = mpcmoveAdaptive( ___ ,opt)
```

Description

`u = mpcmoveAdaptive(MPCobj,x,Plant,Nominal,ym,r,v)` computes the optimal manipulated variable moves at the current time. This result depends on the properties contained in the MPC controller, the controller states, an updated prediction model, and the nominal values. The result also depends on the measured output variables, the output references (setpoints), and the measured disturbance inputs. `mpcmoveAdaptive` updates the controller state, `x`, when using default state estimation. Call `mpcmoveAdaptive` repeatedly to simulate closed-loop model predictive control.

`[u,info] = mpcmoveAdaptive(MPCobj,x,Plant,Nominal,ym,r,v)` returns additional details about the solution in a structure. To view the predicted optimal trajectory for the entire prediction horizon, plot the sequences provided in `info`. To determine whether the optimal control calculation completed normally, check `info.Iterations` and `info.QPCode`.

`[___] = mpcmoveAdaptive(___ ,opt)` alters selected controller settings using options you specify with `mpcmoveopt`. These changes apply for the current time instant only, enabling a command-line simulation using `mpcmoveAdaptive` to mimic the Adaptive MPC Controller block in Simulink in a computationally efficient manner.

Input Arguments

MPCobj — MPC controller
MPC controller object

MPC controller, specified as an implicit MPC controller object. Use the `mpc` command to create the MPC controller.

x — Current MPC controller state

`mpcstate` object

Current MPC controller state, specified as an `mpcstate` object.

Before you begin a simulation with `mpcmoveAdaptive`, initialize the controller state using `x = mpcstate(MPCobj)`. Then, modify the default properties of `x` as appropriate.

If you are using default state estimation, `mpcmoveAdaptive` expects `x` to represent $x[n|n-1]$. The `mpcmoveAdaptive` command updates the state values in the previous control interval with that information. Therefore, you should not programmatically update `x` at all. The default state estimator employs a linear time-varying Kalman filter.

If you are using custom state estimation, `mpcmoveAdaptive` expects `x` to represent $x[n|n]$. Therefore, prior to each `mpcmoveAdaptive` command, you must set `x.Plant`, `x.Disturbance`, and `x.Noise` to the best estimates of these states (using the latest measurements) at the current control interval.

Plant — Updated prediction model

discrete-time state-space model | model array

Updated prediction model, specified as one of the following:

- A delay-free, discrete-time state-space (`ss`) model. This plant is the update to `MPCobj.Model.Plant` and it must:
 - Have the same sample time as the controller; that is, `Plant.Ts` must match `MPCobj.Ts`
 - Have the same input and output signal configurations, such as type, order, and dimensions
 - Define the same states as the controller prediction model, `MPCobj.Model.Plant`
- An array of up to $p+1$ delay-free, discrete-time state-space models, where p is the prediction horizon of `MPCobj`. Use this option to vary the controller prediction model over the prediction horizon.

If `Plant` contains fewer than $p+1$ models, the last model repeats for the rest of the prediction horizon.

Tip If you use a plant other than a delay-free, discrete-time state-space model to define the prediction model in `MPCobj`, you can convert it to such a model to determine the prediction model structure.

If the original plant is	Then
Not a state-space model	Convert it to a state-space model using <code>ss</code> .
A continuous time model	Convert it to a discrete-time model with the same sample time as the controller, <code>MPCobj.Ts</code> , using <code>c2d</code> with default forward Euler discretization.
A model with delays	Convert the delays to states using <code>absorbDelay</code> .

Nominal — Updated nominal conditions

structure | structure array | []

Updated nominal conditions, specified as one of the following:

- A structure of with the following fields:

Field	Description	Default
X	Plant state at operating point	[]
U	Plant input at operating point, including manipulated variables and measured and unmeasured disturbances	[]
Y	Plant output at operating point	[]
DX	For continuous-time models, DX is the state derivative at operating point: $DX=f(X,U)$. For discrete-time models, $DX=x(k+1)-x(k)=f(X,U)-X$.	[]

- An array of up to $p+1$ nominal condition structures, where p is the prediction horizon of `MPCobj`. Use this option to vary controller nominal conditions over the prediction horizon.

If `Nominal` contains fewer than $p+1$ structures, the last structure repeats for the rest of the prediction horizon.

If `Nominal` is empty, `[]`, or if a field is missing or empty, `mpcmoveAdaptive` uses the corresponding `MPCobj.Model.Nominal` value.

ym – Current measured outputs

row vector of length n_{ym}

Current measured outputs, specified as a row vector of length n_{ym} vector, where n_{ym} is the number of measured outputs.

If you are using custom state estimation, `ym` is ignored. If you set `ym = []`, then `mpcmoveAdaptive` uses the appropriate nominal value.

r – Plant output reference values

p -by- n_y array | `[]`

Plant output reference values, specified as a p -by- n_y array, where p is the prediction horizon of `MPCobj` and n_y is the number of outputs. Row `r(i, :)` defines the reference values at step i of the prediction horizon.

`r` must contain at least one row. If `r` contains fewer than p rows, `mpcmoveAdaptive` duplicates the last row to fill the p -by- n_y array. If you supply exactly one row, therefore, a constant reference applies for the entire prediction horizon.

If you set `r = []`, then `mpcmoveAdaptive` uses the appropriate nominal value.

To implement reference previewing, which can improve tracking when a reference varies in a predictable manner, `r` must contain the anticipated variations, ideally for p steps.

v – Current and anticipated measured disturbances

p -by- n_{md} array | `[]`

Current and anticipated measured disturbances, specified as a p -by- n_{md} array, where p is the prediction horizon of `MPCobj` and n_{md} is the number of measured disturbances. Row `v(i, :)` defines the expected measured disturbance values at step i of the prediction horizon.

Modeling of measured disturbances provides feedforward control action. If your plant model does not include measured disturbances, use $v = []$.

v must contain at least one row. If v contains fewer than p rows, `mpcmoveAdaptive` duplicates the last row to fill the p -by- n_{md} array. If you supply exactly one row, therefore, a constant measured disturbance applies for the entire prediction horizon.

If you set $v = []$, then `mpcmoveAdaptive` uses the appropriate nominal value.

To implement disturbance previewing, which can improve tracking when a disturbance varies in a predictable manner, v must contain the anticipated variations, ideally for p steps.

opt — Override values for selected controller properties

`mpcmoveopt` object

Override values for selected properties of `MPCObj`, specified as an options object you create with `mpcmoveopt`. These options apply to the current `mpcmoveAdaptive` time instant only. Using `opt` yields the same result as redefining or modifying `MPCObj` before each call to `mpcmoveAdaptive`, but involves considerably less overhead. Using `opt` is equivalent to using an `Adaptive MPC Controller` Simulink block in combination with optional input signals that modify controller settings, such as MV and OV constraints.

Output Arguments

u — Optimal manipulated variable moves

row vector of length n_u

Optimal manipulated variable moves, returned as a row vector of length n_u , where n_u is the number of manipulated variables.

If the controller includes constraints and the QP solver fails to find a solution, u remains at its most recent successful solution, `x.LastMove`.

info — Solution details

structure

Solution details, returned as a structure containing the following fields.

Uopt — Optimal manipulated variable adjustments (moves)

$(p+1)$ -by- n_u array

Optimal manipulated variable adjustments (moves), returned as a $(p+1)$ -by- n_u array, where p is the prediction horizon of `MPCobj` and n_u is the number of manipulated variables.

The first row of `info.Uopt` is identical to the output argument `u`, which is the adjustment applied at the current time, k . `Uopt(i, :)` contains the predicted optimal values at time $k+i-1$, for $i = 1, \dots, p+1$. The `mpcmoveAdaptive` command does not calculate optimal control moves at time $k+p$, and therefore sets `Uopt(p+1, :)` to NaN.

Yopt — Predicted output variable sequence

$(p+1)$ -by- n_y array

Predicted output variable sequence, returned as a $(p+1)$ -by- n_y array, where p is the prediction horizon of `MPCobj` and n_x is the number of outputs.

The first row of `info.Yopt` contains the current outputs at time k after state estimation. `Yopt(i, :)` contains the predicted output values at time $k+i-1$, for $i = 1, \dots, p+1$.

Xopt — Predicted state variable sequence

$(p+1)$ -by- n_x array

Predicted state variable sequence, returned as a $(p+1)$ -by- n_x array, where p is the prediction horizon of `MPCobj` and n_x is the number of states.

The first row of `info.Xopt` contains the current states at time k as determined by state estimation. `Xopt(i, :)` contains the predicted state values at time $k+i-1$, for $i = 1, \dots, p+1$.

Topt — Time intervals

column vector of length $p+1$

Time intervals, returned as a column vector of length $p+1$. `Topt(1) = 0`, representing the current time. Subsequent time steps, `Topt(i)`, are given by $Ts \cdot (i-1)$, where $Ts = MPCobj.Ts$, the controller sampling time.

Use `Topt` when plotting `Uopt`, `Xopt`, or `Yopt` sequences.

Slack — Slack variable

0 | positive scalar

Slack variable, ε , used in constraint softening, returned as 0 or a positive scalar value.

- $\varepsilon = 0$ — All constraints were satisfied for the entire prediction horizon.
- $\varepsilon > 0$ — At least one soft constraint is violated. When more than one constraint is violated, ε represents the worst-case soft constraint violation (scaled by your ECR values for each constraint).

See “Optimization Problem” for more information.

Iterations — QP solution result

positive integer | 0 | -1 | -2

QP solution result, returned as a positive integer or one of several values with specific meanings as follows.

- **Iterations** > 0 — Number of iterations needed to solve the quadratic programming (QP) problem that determines the optimal sequences.
- **Iterations** = 0 — QP problem could not be solved in the allowed maximum number of iterations.
- **Iterations** = -1 — QP problem was infeasible. A QP problem is infeasible if no solution can satisfy all the hard constraints.
- **Iterations** = -2 — Numerical error occurred when solving the QP problem.

QPCode — QP solution status

'feasible' | 'infeasible' | 'unreliable'

QP solution status, returned as one of the following strings:

- 'feasible' — Optimal solution was obtained (**Iterations** > 0)
- 'infeasible' — QP solver detected a problem with no feasible solution (**Iterations** = -1) or a numerical error occurred (**Iterations** = -2)
- 'unreliable' — QP solver failed to converge (**Iterations** = 0)

Cost — Objective function cost

nonnegative scalar

Objective function cost, returned as a nonnegative scalar. The cost quantifies the degree to which the controller has achieved its objectives. See “Optimization Problem” for details.

The cost value is only meaningful when **QPCode** = 'feasible'.

More About

Tips

- If the prediction model is time-invariant, use `mpcmove`.
- Use the `Adaptive MPC Controller` Simulink block for simulations and code generation.
- “Adaptive MPC”
- “Time-Varying MPC”
- “Optimization Problem”

See Also

`getEstimator` | `mpc` | `mpcmove` | `mpcmoveopt` | `mpcstate` | `review` | `setEstimator` | `sim`

Introduced in R2014b

mpcmoveCodeGeneration

Compute optimal control moves with code generation support

Syntax

```
[u,newStateData] = mpcmoveCodeGeneration(configData,stateData,  
onlineData)  
[ ____,info] = mpcmoveCodeGeneration( ____)
```

Description

[u,newStateData] = mpcmoveCodeGeneration(configData,stateData,onlineData) computes optimal MPC control moves and supports code generation for deployment to real-time targets. The input data structures, generated using getCodeGenerationData, define the MPC controller to simulate.

mpcmoveCodeGeneration does not check input arguments for correct dimensions and data types.

[____,info] = mpcmoveCodeGeneration(____) returns additional information about the optimization result, including the number of iterations and the objective function cost.

Examples

Compute Optimal Control Moves Using Code Generation Data Structures

Create a proper plant model.

```
plant = rss(3,1,1);  
plant.D = 0;
```

Specify the controller sample time.

```
Ts = 0.1;
```

Create an MPC controller.

```
mpcObj = mpc(plant,Ts);
```

```
-->The "PredictionHorizon" property of "mpc" object is empty. Trying PredictionHorizon  
-->The "ControlHorizon" property of the "mpc" object is empty. Assuming 2.  
-->The "Weights.ManipulatedVariables" property of "mpc" object is empty. Assuming default  
-->The "Weights.ManipulatedVariablesRate" property of "mpc" object is empty. Assuming default  
-->The "Weights.OutputVariables" property of "mpc" object is empty. Assuming default 1
```

Create code generation data structures.

```
[configData,stateData,onlineData] = getCodeGenerationData(mpcObj);
```

```
-->Converting model to discrete time.  
-->Assuming output disturbance added to measured output channel #1 is integrated white  
-->The "Model.Noise" property of the "mpc" object is empty. Assuming white noise on each  
-->Converting model to discrete time.  
-->Assuming output disturbance added to measured output channel #1 is integrated white  
-->The "Model.Noise" property of the "mpc" object is empty. Assuming white noise on each
```

Initialize the plant states to zero to match the default states used by the MPC controller.

Run a closed-loop simulation. At each control interval, update the online data structure and call `mpcmoveCodeGeneration` to compute the optimal control moves.

```
x = zeros(size(plant.B,1),1); % Initialize plant states to zero (|mpcObj| default).  
Tsim = 20;  
for i = 1:round(Tsim/Ts)+1  
    % Update plant output.  
    y = plant.C*x;  
    % Update measured output in online data.  
    onlineData.signals.ym = y;  
    % Update reference signal in online data.  
    onlineData.signals.ref = 1;  
    % Compute control actions.  
    [u, statedata] = mpcmoveCodeGeneration(configData,stateData,onlineData);  
    % Update plant state.  
    x = plant.A*x + plant.B*u;  
end
```

Generate MEX function with MATLAB® Coder™, specifying `configData` as a constant.

```
func = 'mpcmoveCodeGeneration';  
funcOutput = 'mpcmoveMEX';  
Cfg = coder.config('mex');  
Cfg.DynamicMemoryAllocation = 'off';
```



```
codegen('-config',Cfg,func,'-o',funcOutput,'-args',...
        {coder.Constant(configData),stateData,onlineData});
```

Input Arguments

configData — MPC configuration parameters

structure

MPC configuration parameters that are constant at run time, specified as a structure generated using `getCodeGenerationData`.

Note: When using `codegen`, `configData` must be defined as `coder.Constant`.

stateData — Controller state

structure

Controller state at run time, specified as a structure. Generate the initial state structure using `getCodeGenerationData`. For subsequent control intervals, use the updated controller state from the previous interval. In general, use the `newStateData` structure directly.

If custom state estimation is enabled, you must manually update the state structure during each control interval. For more information, see “Using Custom State Estimation”.

onlineData — Online controller data

structure

Online controller data that you must update at run time, specified as a structure with the following fields:

signals — Updated input and output signals

structure

Updated input and output signals, specified as a structure with the following fields:

ym — Measured outputs

vector of length n_{ym}

Measured outputs, specified as a vector of length n_{ym} , where n_y is the number of measured outputs.

By default, `getCodeGenerationData` sets `ym` to the nominal measured output values from the controller.

ref – Output references

row vector of length n_y | p -by- n_y array

Output references, specified as a row vector of length n_y , where n_y is the number of outputs.

If you are using reference signal previewing with implicit or adaptive MPC, specify a p -by- n_y array, where p is the prediction horizon.

By default, `getCodeGenerationData` sets `ref` to the nominal output values from the controller.

md – Measured disturbances

row vector of length n_{md} | p -by- n_{md} array

Measured disturbances, specified as:

- A row vector of length n_{md} , where n_{md} is the number of measured disturbances.
- p -by- n_{md} array, if you are using signal previewing with implicit or adaptive MPC.

By default, if your controller has measured disturbances, `getCodeGenerationData` sets `md` to the nominal measured disturbance values from the controller. Otherwise, this field is empty and ignored by `mpcmoveCodeGeneration`.

mvTarget – Targets for manipulated variables

[] (default) | vector of length n_{mv}

Targets for manipulated variables, specified as:

- A vector of length n_{mv} , where n_{mv} is the number of manipulated variables.
- [] to use the default targets defined in the original MPC controller.

This field is ignored when using an explicit MPC controller.

externalMV – Manipulated variables externally applied to the plant

[] (default) | vector of length n_{mv}

Manipulated variables externally applied to the plant, specified as:

- A vector of length n_{mv} .
- `[]` to apply the optimal control moves to the plant.

limits — Updated input and output constraints

structure

Updated input and output constraints, specified as a structure. If you do not expect constraints to change at run time, ignore `limits`. This structure contains the following fields:

ymin — Lower bounds on output signals

column vector of length n_y | `[]`

Lower bounds on output signals, specified as a column vector of length n_y .

If `ymin` is empty, `[]`, the default bounds defined in the original MPC controller are used.

ymax — Upper bounds on output signals

column vector of length n_y | `[]`

Upper bounds on output signals, specified as a column vector of length n_y .

If `ymax` is empty, `[]`, the default bounds defined in the original MPC controller are used.

umin — Lower bounds on manipulated variables

column vector of length n_{mv} | `[]`

Lower bounds on manipulated variables, specified as a column vector of length n_{mv} .

If `umin` is empty, `[]`, the default bounds defined in the original MPC controller are used.

umax — Upper bounds on manipulated variables

column vector of length n_{mv} | `[]`

Upper bounds on manipulated variables, specified as a column vector of length n_{mv} .

If `umax` is empty, `[]`, the default bounds defined in the original MPC controller are used.

weights — Updated QP optimization weights

structure

Updated QP optimization weights, specified as a structure. If you do not expect tuning weights to change at run time, ignore `weights`. This structure contains the following fields:

ywt – Output weights

column vector of length n_y | []

Output weights, specified as a column vector of length n_y that contains nonnegative values.

If `ywt` is empty, [], the default weights defined in the original MPC controller are used.

uwt – Manipulated variable weights

column vector of length n_{mv} | []

Manipulated variable weights, specified as a column vector of length n_{mv} that contains nonnegative values.

If `uwt` is empty, [], the default weights defined in the original MPC controller are used.

duwt – Manipulated variable rate weights

column vector of length n_{mv} | []

Manipulated variable rate weights, specified as a column vector of length n_{mv} that contains nonnegative values.

If `duwt` is empty, [], the default weights defined in the original MPC controller are used.

ecr – Weight on slack variable used for constraint softening

nonnegative scalar | []

Weight on slack variable used for constraint softening, specified as a nonnegative scalar.

If `uwt` is empty, [], the default weight defined in the original MPC controller are used.

model – Updated plant and nominal values

structure

Updated plant and nominal values for adaptive MPC and time-varying MPC, specified as a structure. `model` is only available if you specify `isAdaptive` or `isLTV` as `true` when creating code generation data structures. This structure contains the following fields:

A — State matrix of discrete-time state-space plant model n_x -by- n_x array | n_x -by- n_x -by- $(p+1)$ array

State matrix of discrete-time state-space plant model, specified as an:

- n_x -by- n_x array when using adaptive MPC,
- n_x -by- n_x -by- $(p+1)$ array when using time-varying MPC,

where n_x is the number of plant states.

B — Input-to-state matrix of discrete-time state-space plant model n_x -by- n_u array | n_x -by- n_u -by- $(p+1)$ array

Input-to-state matrix of discrete-time state-space plant model, specified as an:

- n_x -by- n_u array when using adaptive MPC,
- n_x -by- n_u -by- $(p+1)$ array when using time-varying MPC,

where n_u is the number of plant inputs.

C — State-to-output matrix of discrete-time state-space plant model n_y -by- n_x array | n_y -by- n_x -by- $(p+1)$ array

State-to-output matrix of discrete-time state-space plant model, specified as an:

- n_y -by- n_x array when using adaptive MPC.
- n_y -by- n_x -by- $(p+1)$ array when using time-varying MPC.

D — Feedthrough matrix of discrete-time state-space plant model n_y -by- n_u array | n_y -by- n_u -by- $(p+1)$ array

Feedthrough matrix of discrete-time state-space plant model, specified as an:

- n_y -by- n_u array when using adaptive MPC.
- n_y -by- n_u -by- $(p+1)$ array when using time-varying MPC.

Since MPC controllers do not support plants with direct feedthrough, specify D as an array of zeros.

X — Nominal plant statescolumn vector of length n_x | n_x -by-1-by- $(p+1)$ array

Nominal plant states, specified as:

- A column vector of length n_x when using adaptive MPC.
- An n_x -by-1-by-($p+1$) array when using time-varying MPC.

U – Nominal plant inputs

column vector of length n_u | n_u -by-1-by-($p+1$) array

Nominal plant inputs, specified as:

- A column vector of length n_u when using adaptive MPC.
- An n_u -by-1-by-($p+1$) array when using time-varying MPC.

Y – Nominal plant outputs

column vector of length n_y | n_y -by-1-by-($p+1$) array

Nominal plant outputs, specified as:

- A column vector of length n_y when using adaptive MPC.
- An n_y -by-1-by-($p+1$) array when using time-varying MPC.

DX – Nominal plant state derivatives

column vector of length n_x | n_x -by-1-by-($p+1$) array

Nominal plant state derivatives, specified as:

- A column vector of length n_x when using adaptive MPC.
- An n_x -by-1-by-($p+1$) array when using time-varying MPC.

Output Arguments

u – Optimal manipulated variable moves

row vector of length n_u

Optimal manipulated variable moves, returned as a row vector of length n_u , where n_u is the number of manipulated variables.

If the controller includes constraints and the QP solver fails to find a solution, `u` remains at its most recent successful solution, `x.LastMove`.

newStateData — Updated controller state

structure

Updated controller state, returned as a structure. For subsequent control intervals, pass `newStateData` to `mpcmoveCodeGeneration` as `stateData`.

If custom state estimation is enabled, use `newStateData` to manually update the state structure before the next control interval. For more information, see “Using Custom State Estimation”.

info — Controller optimization information

structure

Controller optimization information, returned as a structure.

If you are using implicit or adaptive MPC, `info` contains the following fields:

Field	Description
Iterat	Number of QP solver iterations
QPCode	QP solver status code
Cost	Objective function cost
Uopt	Optimal manipulated variable adjustments
Yopt	Optimal predicted output variable sequence
Xopt	Optimal predicted state variable sequence
Topt	Time horizon intervals
Slack	Slack variable used in constraint softening

If `configData.OnlyComputeCost` is `true`, the optimal sequence information, `Uopt`, `Yopt`, `Xopt`, `Topt`, and `Slack`, is not available:

For more information, see `mpcmove` and `mpcmoveAdaptive`.

If you are using explicit MPC, `info` contains the following fields:

Field	Description
Region	Region in which the optimal solution was found
ExitCod	Solution status code

For more information, see `mpcmoveExplicit`.

More About

- “Generate Code To Compute Optimal MPC Moves in MATLAB”
- “Generate Code and Deploy Controller to Real-Time Targets”

See Also

`getCodeGenerationData` | `mpcmove` | `mpcmoveAdaptive` | `mpcmoveExplicit`

Introduced in R2016a

mpcmoveExplicit

Compute optimal control using explicit MPC

Syntax

```
u = mpcmoveExplicit(EMPCobj,x,ym,r,v)
[u,info] = mpcmoveExplicit(EMPCobj,x,ym,r,v)
[u,info] = mpcmoveExplicit(EMPCobj,x,ym,r,v,MVused)
```

Description

`u = mpcmoveExplicit(EMPCobj,x,ym,r,v)` computes the optimal manipulated variable moves at the current time using an explicit model predictive control law. This result depends on the properties contained in the explicit MPC controller and the controller states. The result also depends on the measured output variables, the output references (setpoints), and the measured disturbance inputs. `mpcmoveExplicit` updates the controller state, `x`, when using default state estimation. Call `mpcmoveExplicit` repeatedly to simulate closed-loop model predictive control.

`[u,info] = mpcmoveExplicit(EMPCobj,x,ym,r,v)` returns additional details about the computation in a structure. To determine whether the optimal control calculation completed normally, check the data in `info`.

`[u,info] = mpcmoveExplicit(EMPCobj,x,ym,r,v,MVused)` specifies the manipulated variable values used in the previous `mpcmoveExplicit` command, allowing a command-line simulation to mimic the `Explicit MPC Controller Simulink` block with the optional external MV input signal.

Examples

- “Explicit MPC Control of a Single-Input-Single-Output Plant”

Input Arguments

EMPCobj — **Explicit MPC controller**
explicit MPC controller object

Explicit MPC controller to simulate, specified as an Explicit MPC controller object. Use `generateExplicitMPC` to create an explicit MPC controller.

x — Current MPC controller state

`mpcstate` object

Current MPC controller state, specified as an `mpcstate` object.

Before you begin a simulation with `mpcmoveExplicit`, initialize the controller state using `x = mpcstate(EMPCobj)`. Then, modify the default properties of `x` as appropriate.

If you are using default state estimation, `mpcmoveExplicit` expects `x` to represent $x[n|n-1]$. The `mpcmoveExplicit` command updates the state values in the previous control interval with that information. Therefore, you should not programmatically update `x` at all. The default state estimator employs a linear time-varying Kalman filter.

If you are using custom state estimation, `mpcmoveExplicit` expects `x` to represent $x[n|n]$. Therefore, prior to each `mpcmoveExplicit` command, you must set `x.Plant`, `x.Disturbance`, and `x.Noise` to the best estimates of these states (using the latest measurements) at the current control interval.

ym — Current measured outputs

vector

Current measured outputs, specified as a 1-by- n_{ym} vector. n_{ym} is the number of measured outputs. If you are using custom state estimation, `ym` is ignored. If you set `ym = []`, then `mpcmoveExplicit` uses the appropriate nominal value.

r — Plant output reference values

vector

Plant output reference values, specified as a vector of n_y values. `mpcmoveExplicit` uses a constant reference for the entire prediction horizon. In contrast to `mpcmove` and `mpcmoveAdaptive`, `mpcmoveExplicit` does not support reference previewing.

If you set `r = []`, then `mpcmoveExplicit` uses the appropriate nominal value.

v — Current and anticipated measured disturbances

vector

Current and anticipated measured disturbances, specified as a vector of n_{md} values. In contrast to `mpcmove` and `mpcmoveAdaptive`, `mpcmoveExplicit` does not support

disturbance previewing. If your plant model does not include measured disturbances, use $v = []$.

MVused — Manipulated variable values from previous interval

vector

Manipulated variable values applied to the plant during the previous control interval, specified as a vector of n_u values. If this is the first `mpcmoveExplicit` command in a simulation sequence, omit this argument. Otherwise, if the MVs calculated by `mpcmoveExplicit` in the previous interval were overridden, set `MVused` to the correct values in order to improve the controller state estimation accuracy. If you omit `MVused`, `mpcmoveExplicit` assumes `MVused = x.LastMove`.

Output Arguments

u — Optimal manipulated variable moves

row vector of length n_u

Optimal manipulated variable moves, returned as a row vector of length n_u , where n_u is the number of manipulated variables.

If the controller includes constraints and the QP solver fails to find a solution, `u` remains at its most recent successful solution, `x.LastMove`.

info — Explicit MPC solution status

structure

Explicit MPC solution status, returned as a structure having the following fields.

ExitCode — Solution status code

1 | 0 | -1

Solution status code, returned as one of the following values:

- 1 — Successful solution.
- 0 — Failure. One or more controller input parameters is out of range.
- -1 — Undefined. Parameters are in range but an extrapolation must be used.

Region — Region to which current controller input parameters belong

positive integer | 0

Region to which current controller input parameters belong, returned as either a positive integer or 0. The integer value is the index of the polyhedron (region) to which the current controller input parameters belong. If the solution failed, `Region = 0`.

More About

Tips

- Use the `Explicit MPC Controller` Simulink block for simulations and code generation.
- “Explicit MPC”
- “Design Workflow for Explicit MPC”

See Also

`generateExplicitMPC`

Introduced in R2014b

mpcmoveMultiple

Compute gain-scheduling MPC control action at a single time instant

Syntax

```
u = mpcmoveMultiple(MPCArray,states,index,ym,r,v)
[u,info] = mpcmoveMultiple(MPCArray,states,index,ym,r,v)
[u,info] = mpcmoveMultiple(MPCArray,states,index,ym,r,v,opt)
```

Description

`u = mpcmoveMultiple(MPCArray,states,index,ym,r,v)` computes the optimal manipulated variable moves at the current time using a model predictive controller selected by `index` from an array of MPC controllers. This result depends upon the properties contained in the MPC controller and the controller states. The result also depends on the measured plant outputs, the output references (setpoints), and the measured disturbance inputs. `mpcmoveMultiple` updates the controller state when default state estimation is used. Call `mpcmoveMultiple` repeatedly to simulate closed-loop model predictive control.

`[u,info] = mpcmoveMultiple(MPCArray,states,index,ym,r,v)` returns additional details about the computation in a structure. To determine whether the optimal control calculation completed normally, check the data in `info`.

`[u,info] = mpcmoveMultiple(MPCArray,states,index,ym,r,v,opt)` alters selected controller settings using options you specify with `mpcmoveopt`. These changes apply for the current time instant only, allowing a command-line simulation using `mpcmoveMultiple` to mimic the `Multiple MPC Controllers` block in Simulink in a computationally efficient manner.

Input Arguments

MPCArray — MPC controllers

cell array of MPC controller objects

MPC controllers to simulate, specified as a cell array of traditional (implicit) MPC controller objects. Use the `mpc` command to create the MPC controllers.

All the controllers in `MPCArray` must use either default state estimation or custom state estimation. Mismatch is not permitted.

states — Current MPC controller states

cell array of `mpcstate` objects

Current controller states for each MPC controller in `MPCArray`, specified as a cell array of `mpcstate` objects.

Before you begin a simulation with `mpcmoveMultiple`, initialize each controller state using `x = mpcstate(MPCobj)`. Then, modify the default properties of each state as appropriate.

If you are using default state estimation, `mpcmoveAdaptive` expects `x` to represent `x[n|n-1]` (where `x` is one entry in `states`, the current state of one MPC controller in `MPCArray`). The `mpcmoveMultiple` command updates the state values in the previous control interval with that information. Therefore, you should not programmatically update `x` at all. The default state estimator employs a steady-state Kalman filter.

If you are using custom state estimation, `mpcmoveMultiple` expects `x` to represent `x[n|n]`. Therefore, prior to each `mpcmoveMultiple` command, you must set `x.Plant`, `x.Disturbance`, and `x.Noise` to the best estimates of these states (using the latest measurements) at the current control interval.

index — Index of selected controller

positive integer

Index of selected controller in the cell array `MPCArray`, specified as a positive integer.

ym — Current measured outputs

vector

Current measured outputs, specified as a 1-by- n_{ym} vector. n_{ym} is the number of measured outputs. If you are using custom state estimation, `ym` is ignored. If you set `ym = []`, then `mpcmoveMultiple` uses the appropriate nominal value.

r — Plant output reference values

array

Plant output reference values, specified as a p -by- n_y array, where p is the prediction horizon of the selected controller and n_y is the number of outputs. Row $r(i, :)$ defines the reference values at step i of the prediction horizon.

r must contain at least one row. If r contains fewer than p rows, `mpcmoveMultiple` duplicates the last row to fill the p -by- n_y array. If you supply exactly one row, therefore, a constant reference applies for the entire prediction horizon.

If you set $r = []$, then `mpcmoveMultiple` uses the appropriate nominal value.

To implement reference previewing, which can improve tracking when a reference varies in a predictable manner, r must contain the anticipated variations, ideally for p steps.

v — Current and anticipated measured disturbances

array

Current and anticipated measured disturbances, specified as a p -by- n_{md} array, where p is the prediction horizon of the selected controller and n_{md} is the number of measured disturbances. Row $v(i, :)$ defines the expected measured disturbance values at step i of the prediction horizon.

Modeling of measured disturbances provides feedforward control action. If your plant model does not include measured disturbances, use $v = []$.

v must contain at least one row. If v contains fewer than p rows, `mpcmoveMultiple` duplicates the last row to fill the p -by- n_{md} array. If you supply exactly one row, therefore, a constant measured disturbance applies for the entire prediction horizon.

If you set $v = []$, then `mpcmoveMultiple` uses the appropriate nominal value.

To implement disturbance previewing, which can improve tracking when a disturbance varies in a predictable manner, v must contain the anticipated variations, ideally for p steps.

opt — Override values for selected controller properties

`mpcmoveopt` object

Override values for selected properties of the selected MPC controller, specified as an options object you create with `mpcmoveopt`. These options apply to the current `mpcmoveMultiple` time instant only. Using `opt` yields the same result as redefining or modifying the selected controller before each call to `mpcmoveMultiple`, but

involves considerably less overhead. Using `opt` is equivalent to using a `Multiple MPC Controllers Simulink` block in combination with optional input signals that modify controller settings, such as MV and OV constraints.

Output Arguments

u – Optimal manipulated variable moves

row vector of length n_u

Optimal manipulated variable moves, returned as a row vector of length n_u , where n_u is the number of manipulated variables.

If the controller includes constraints and the QP solver fails to find a solution, `u` remains at its most recent successful solution, `x.LastMove`.

info – Solution details

structure

Solution details, returned as a structure containing the following fields.

Uopt – Optimal manipulated variable adjustments (moves)

array

Optimal manipulated variable adjustments (moves), returned as a $p+1$ -by- n_u array, where p is the prediction horizon of the selected controller and n_u is the number of manipulated variables.

The first row of `info.Uopt` is identical to the output argument `u`, which is the adjustment applied at the current time, k . `Uopt(i, :)` contains the predicted optimal values at time $k+i-1$, for $i = 1, \dots, p+1$. The `mpcmoveMultiple` command does not calculate optimal control moves at time $k+p$, and therefore sets `Uopt(p+1, :)` to NaN.

Yopt – Predicted output variable sequence

array

Predicted output variable sequence, returned as a $p+1$ -by- n_y array, where p is the prediction horizon of the selected controller and n_x is the number of outputs.

The first row of `info.Yopt` contains the current outputs at time k after state estimation. `Yopt(i, :)` contains the predicted output values at time $k+i-1$, for $i = 1, \dots, p+1$.

Xopt — Predicted state variable sequence

array

Predicted state variable sequence, returned as a $p+1$ -by- n_x array, where p is the prediction horizon of the selected controller and n_x is the number of states.

The first row of `info.Xopt` contains the current states at time k as determined by state estimation. `Xopt(i, :)` contains the predicted state values at time $k+i-1$, for $i = 1, \dots, p+1$.

Topt — Time intervals

vector

Time intervals, returned as a $p+1$ -by-a vector. `Topt(1) = 0`, representing the current time. Subsequent time steps `Topt(i)` are given by $Ts^*(i-1)$, where $Ts = MPCobj.Ts$, the controller sampling time.

Use `Topt` when plotting `Uopt`, `Xopt`, or `Yopt` sequences.

Slack — Slack variable

0 | positive scalar

Slack variable, ϵ , used in constraint softening, returned as 0 or a positive scalar value.

- $\epsilon = 0$ — All constraints were satisfied for the entire prediction horizon.
- $\epsilon > 0$ — At least one soft constraint is violated. When more than one constraint is violated, ϵ represents the worst-case soft constraint violation (scaled by your ECR values for each constraint).

See “Optimization Problem” for more information.

Iterations — QP solution result

positive integer | 0 | -1 | -2

QP solution result, returned as a positive integer or one of several values with specific meanings as follows.

- `Iterations > 0` — Number of iterations needed to solve the quadratic programming (QP) problem that determines the optimal sequences.
- `Iterations = 0` — QP problem could not be solved in the allowed maximum number of iterations.

- `Iterations = -1` — QP problem was infeasible. A QP problem is infeasible if no solution can satisfy all the hard constraints.
- `Iterations = -2` — Numerical error occurred when solving the QP problem.

QPCode — QP solution status

`'feasible' | 'infeasible' | 'unreliable'`

QP solution status, returned as one of the following strings:

- `'feasible'` — Optimal solution was obtained (`Iterations > 0`)
- `'infeasible'` — QP solver detected a problem with no feasible solution (`Iterations = -1`) or a numerical error occurred (`Iterations = -2`)
- `'unreliable'` — QP solver failed to converge (`Iterations = 0`)

Cost — Objective function cost

nonnegative scalar

Objective function cost, returned as a nonnegative scalar value. The cost quantifies the degree to which the controller has achieved its objectives. See “Optimization Problem” for details.

The cost value is only meaningful when `QPCode = 'feasible'`.

More About

Tips

- Use the `Multiple MPC Controllers Simulink` block for simulations and code generation.

See Also

`generateExplicitMPC` | `getEstimator` | `mpcmove` | `mpcstate` | `review` | `setEstimator` | `sim`

Introduced in R2014b

mpcmoveopt

Options set for `mpcmove` and `mpcmoveAdaptive`

Syntax

```
options = mpcmoveopt
```

Description

`options = mpcmoveopt` creates an empty `mpcmoveopt` object. You can set one or more of its properties using dot notation, and then use the object with `mpcmove` or `mpcmoveAdaptive` to simulate run-time adjustment of selected controller properties, such as tuning weights and bounds.

`mpcmoveopt` property dimensions must be consistent with the number of manipulated variables (`nu`) and output variables (`ny`) defined in the `mpc` or `mpcAdaptive` controller you are simulating.

In general, if you do not specify a value for one of the `mpcmoveopt` properties, it defaults to the corresponding built-in value of the simulated controller.

Output Arguments

`options`

Options for the `mpcmove` or `mpcmoveAdaptive` command with the following fields:

- `OutputWeights` — Output variable tuning weights, specified as a 1-by-`ny` vector, where `ny` is the number of output variables. These replace the controller's `Weight.OutputVariables` property. The weights must be nonnegative, finite real values.
- `MVWeights` — Manipulated variable tuning weights, specified as a 1-by-`nu` vector, where `nu` is the number of manipulated variables. These replace the controller's

`Weight.ManipulatedVariables` property. The weights must be nonnegative, finite real values.

- `MVRateWeights` — Manipulated variable rate tuning weights, specified as a 1-by-`nu` vector, where `nu` is the number of manipulated variables. These replace the controller's `Weight.ManipulatedVariablesRate` property. The weights must be nonnegative, finite real values.
- `ECRWeight` — Weight on the slack variable used for constraint softening, specified as a finite, real scalar. This value replaces the controller's `Weight.ECR` property.
- `OutputMin` — Lower bounds on the output variables, specified as a 1-by-`ny` vector, where `ny` is the number of output variables. `OutputMin(i)` replaces the controller's `OutputVariables(i).Min` property, for $i = 1, \dots, ny$.
- `OutputMax` — Upper bounds on the output variables, specified as a 1-by-`ny` vector, where `ny` is the number of output variables. `OutputMax(i)` replaces the controller's `OutputVariables(i).Max` property, for $i = 1, \dots, ny$.
- `MVMin` — Lower bounds on the manipulated variables, specified as a 1-by-`nu` vector, where `nu` is the number of manipulated variables. `MVMin(i)` replaces the controller's `ManipulatedVariables(i).Min` property, for $i = 1, \dots, nu$.
- `MVMax` — Upper bounds on the manipulated variables, specified as a 1-by-`nu` vector, where `nu` is the number of manipulated variables. `MVMax(i)` replaces the controller's `ManipulatedVariables(i).Max` property, for $i = 1, \dots, nu$.
- `MVUsed` — Manipulated variable values used in the plant during the previous control interval, specified as a 1-by-`nu` vector. This property mimics the `MPC Controller` or `Adaptive MPC Controller` Simulink blocks' external MV signal. If you do not provide an `MVUsed` value, the controller uses the `LastMove` property of `mpcstate`.
- `OnlyComputeCost` — Logical value that controls whether the optimal sequence is to be calculated and exported.
 - 0 (default) causes the controller to return the predicted optimal policy in addition to the objective function cost value.
 - 1 causes the controller to return the objective function cost only, which saves computational effort.

Examples

Simulation with Varying Controller Property

Vary a manipulated variable upper bound during a simulation.

Define the plant, which includes a 4-second input delay. Convert to a delay-free, discrete, state-space model using a 2-second control interval. Create the corresponding default controller and then specify MV bounds at +/-2.

```
ts = 2;
Plant = absorbDelay(c2d(ss(tf(0.8,[5 1], 'InputDelay',4)),ts));
MPCobj = mpc(Plant, ts);
MPCobj.MV(1).Min = -2;
MPCobj.MV(1).Max = 2;
```

```
-->The "PredictionHorizon" property of "mpc" object is empty. Trying PredictionHorizon
-->The "ControlHorizon" property of the "mpc" object is empty. Assuming 2.
-->The "Weights.ManipulatedVariables" property of "mpc" object is empty. Assuming default
-->The "Weights.ManipulatedVariablesRate" property of "mpc" object is empty. Assuming default
-->The "Weights.OutputVariables" property of "mpc" object is empty. Assuming default 1
```

Create an empty `mpcmoveopt` object. During simulation, you can set properties of the object to specify controller parameters.

```
options = mpcmoveopt;
```

Pre-allocate storage and initialize the controller state.

```
v = [];
t = [0:ts:20];
N = length(t);
y = zeros(N,1);
u = zeros(N,1);
x = mpcstate(MPCobj);
```

```
-->Assuming output disturbance added to measured output channel #1 is integrated white
-->The "Model.Noise" property of the "mpc" object is empty. Assuming white noise on ea
```

Use `mpcmove` to simulate the following:

- Reference (setpoint) step change from initial condition $r = 0$ to $r = 1$ (servo response).
- MV upper bound step decrease from 2 to 1, occurring at $t = 10$.

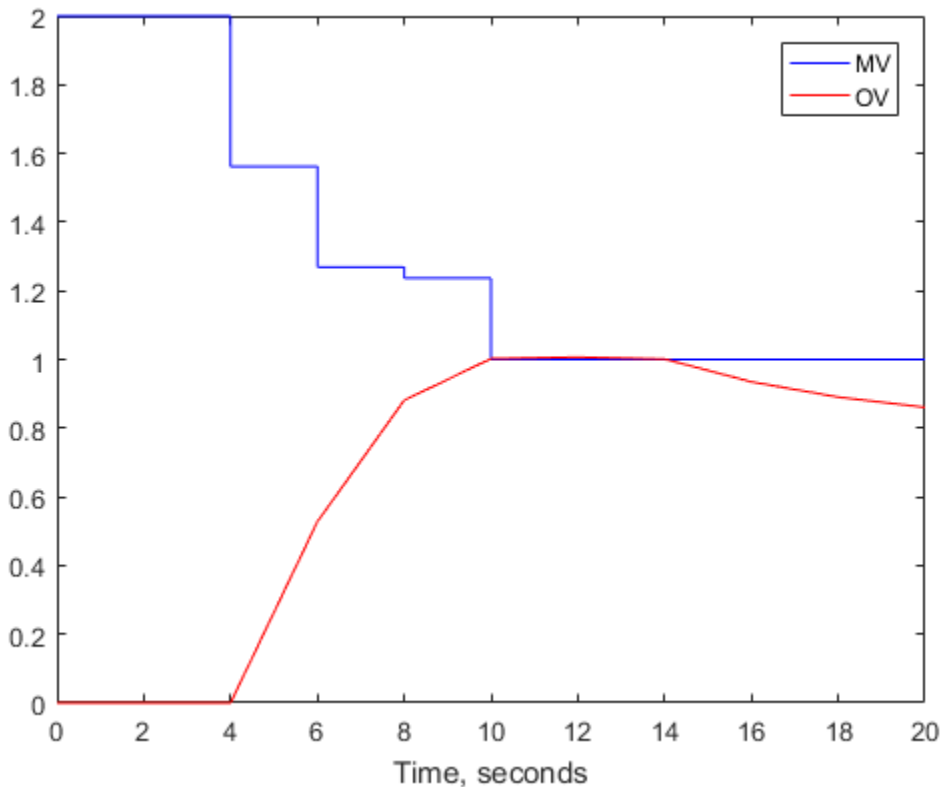
```
r = 1;
for i = 1:N
    y(i) = Plant.c*x.Plant;
    if t(i) >= 10
        options.MVMax = 1;
    end
end
```

```
[u(i),Info] = mpcmove(MPCobj,x,y(i),r,v,options);
end
```

As the loop executes, the value of `options.MVMax` is reset to 1 for all iterations that occur after $t = 10$. Prior to that iteration, `options.MVMax` is empty. Therefore, the controller's value for MVMax is used, `MPCobj.MV(1).Max = 2`.

Plot the results of the simulation.

```
[ts,us] = stairs(t,u);
plot(ts,us,'b-',t,y,'r-')
legend('MV','OV')
xlabel(sprintf('Time, %s',Plant.TimeUnit))
```



From the plot, you can observe that the original MV upper bound is active until $t = 4$. After the input delay of 4 seconds, the output variable (OV) moves smoothly to its new target of $r = 1$, reaching the target at $t = 10$. The new MV bound imposed at $t = 10$ becomes active immediately. This forces the OV below its target, after the input delay elapses.

Now assume that you want to impose an OV upper bound at a specified location relative to the OV target. Consider the following constraint design command:

```
MPCobj.OV(1).Max = [Inf, Inf, 0.4, 0.3, 0.2];
```

This is a horizon-varying constraint. The known input delay makes it impossible for the controller to satisfy an OV constraint prior to the third prediction-horizon step. Therefore, a finite constraint during the first two steps would be poor practice. For illustrative purposes, the above constraint also decreases from 0.4 at step 3 to 0.2 at step 5 and thereafter.

The following commands produce the same results shown in the previous plot. The OV constraint is never active because it is being varied in concert with the setpoint, r .

```
x = mpcstate(MPCobj);
OPTobj = mpcmoveopt;
for i = 1:N
    y(i) = Plant.c*x.Plant;
    if t(i) >= 10
        OPTobj.MVMax = 1;
    end
    OPTobj.OutputMax = r + 0.4;
    [u(i), Info] = mpcmove(MPCobj, x, y(i), r, v, OPTobj);
end
```

```
-->Assuming output disturbance added to measured output channel #1 is integrated white
-->The "Model.Noise" property of the "mpc" object is empty. Assuming white noise on ea
```

The scalar value $r + 0.4$ replaces the first finite value in the `MPCobj.OV(1).Max` vector, and the remaining finite values adjust to maintain the original profile, i.e., the numerical difference between these values is unchanged. $r = 1$ for the simulation, so the above use of the `mpcmoveopt` object is equivalent to the command

```
MPCobj.OV(1).Max = [Inf, Inf, 1.4, 1.3, 1.2];
```

The use of the `mpcmoveopt` object involves much less computational overhead, however.

Alternatives

The `mpcmoveopt` object is an optional feature of the `mpcmove` and `mpcmoveAdaptive` commands. The alternative is to redefine the controller and/or state object prior to each command invocation, but this involves considerable overhead.

More About

Tips

- `mpcmoveopt` cannot constrain a variable that was unconstrained in the controller creation step. The controller ignores any such specifications. Similarly, you cannot eliminate a constraint defined during controller creation, but you can change it to a very large (or small) value such that it is unlikely to become active.
- If the controller design includes a vector constraint, the run-time `mpcmoveopt` value replaces the first finite entry, and the remaining values shift to retain the same constraint profile. See “Simulation with Varying Controller Property” on page 1-118.

See Also

`mpc` | `mpcmove` | `setconstraint` | `setterminal`

Introduced in R2011b

mpcprops

Provide help on MPC controller properties

Syntax

mpcprops

Description

mpcprops displays details on the generic properties of MPC controllers. It provides a complete list of all the fields of MPC objects with a brief description of each field and the corresponding default values.

See Also

set | get

Introduced before R2006a

mpcqp solver

Solve a quadratic programming problem using the KWIK algorithm

Syntax

```
[x,status] = mpcqp solver(Linv,f,A,b,Aeq,beq,iA0,options)  
[x,status,iA,lambda] = mpcqp solver(Linv,f,A,b,Aeq,beq,iA0,options)
```

Description

`[x,status] = mpcqp solver(Linv,f,A,b,Aeq,beq,iA0,options)` finds an optimal solution, `x`, to a quadratic programming problem by minimizing the objective function:

$$J = \frac{1}{2} x^{\text{oe}} H x + f^{\text{oe}} x$$

subject to inequality constraints $Ax \geq b$, and equality constraints $A_{\text{eq}}x = b_{\text{eq}}$. `status` indicates the validity of `x`.

`[x,status,iA,lambda] = mpcqp solver(Linv,f,A,b,Aeq,beq,iA0,options)` also returns the active inequalities, `iA`, at the solution, and the Lagrange multipliers, `lambda`, for the solution.

Examples

Solve Quadratic Programming Problem

Find the values of x that minimize

$$f(x) = 0.5x_1^2 + x_2^2 - x_1x_2 - 2x_1 - 6x_2,$$

subject to the constraints

$$\begin{aligned}
 x_1 &\geq 0 \\
 x_2 &\geq 0 \\
 x_1 + x_2 &\leq 2 \\
 -x_1 + 2x_2 &\leq 2 \\
 2x_1 + x_2 &\leq 3.
 \end{aligned}$$

Specify the Hessian and linear multiplier vector for the objective function.

$$\begin{aligned}
 H &= [1 \ -1; \ -1 \ 2]; \\
 f &= [-2; \ -6];
 \end{aligned}$$

Specify the inequality constraint parameters.

$$\begin{aligned}
 A &= [1 \ 0; \ 0 \ 1; \ -1 \ -1; \ 1 \ -2; \ -2 \ -1]; \\
 b &= [0; \ 0; \ -2; \ -2; \ -3];
 \end{aligned}$$

Define Aeq and beq to indicate that there are no equality constraints.

$$\begin{aligned}
 Aeq &= []; \\
 beq &= \text{zeros}(0,1);
 \end{aligned}$$

Find the lower-triangular Cholesky decomposition of H.

$$\begin{aligned}
 [L,p] &= \text{chol}(H, \text{'lower'}); \\
 Linv &= \text{inv}(L);
 \end{aligned}$$

It is good practice to verify that H is positive definite by checking if $p = 0$.

p

p =

0

Create a default option set for `mpcqpsolver`.

$$\text{opt} = \text{mpcqpsolverOptions};$$

To cold start the solver, define all inequality constraints as inactive.

$$\text{iA0} = \text{false}(\text{size}(b));$$

Solve the QP problem.

```
[x,status] = mpcqpsolver(Linv,f,A,b,Aeq,beq,iA0,opt);
```

Examine the solution, x.

x

x =

```
0.6667  
1.3333
```

Check Active Inequality Constraints for QP Solution

Find the values of x that minimize

$$f(x) = 3x_1^2 + 0.5x_2^2 - 2x_1x_2 - 3x_1 + 4x_2,$$

subject to the constraints

$$\begin{aligned}x_1 &\geq 0 \\x_1 + x_2 &\leq 5 \\x_1 + 2x_2 &\leq 7.\end{aligned}$$

Specify the Hessian and linear multiplier vector for the objective function.

```
H = [6 -2; -2 1];  
f = [-3; 4];
```

Specify the inequality constraint parameters.

```
A = [1 0; -1 -1; -1 -2];  
b = [0; -5; -7];
```

Define Aeq and beq to indicate that there are no equality constraints.

```
Aeq = [];  
beq = zeros(0,1);
```

Find the lower-triangular Cholesky decomposition of H.

```
[L,p] = chol(H,'lower');  
Linv = inv(L);
```

Verify that H is positive definite by checking if $p = 0$.

p

```
p =
    0
```

Create a default option set for `mpcqp solver`.

```
opt = mpcqp solverOptions;
```

To cold start the solver, define all inequality constraints as inactive.

```
iA0 = false(size(b));
```

Solve the QP problem.

```
[x,status,iA,lambda] = mpcqp solver(Linv,f,A,b,Aeq,beq,iA0,opt);
```

Check the active inequality constraints. An active inequality constraint is at equality for the optimal solution.

iA

```
iA =
    1
    0
    0
```

There is a single active inequality constraint.

View the Lagrange multiplier for this constraint.

```
lambda.ineqlin(1)
```

```
ans =
    5.0000
```

- “Solve Custom MPC Quadratic Programming Problem and Generate Code”

Input Arguments

Lin_v – Inverse of lower-triangular Cholesky decomposition of Hessian matrix

n-by-*n* matrix

Inverse of lower-triangular Cholesky decomposition of Hessian matrix, specified as an *n*-by-*n* matrix, where $n > 0$ is the number of optimization variables. For a given Hessian matrix, *H*, **Lin_v** can be computed as follows:

```
[L,p] = chol(H,'lower');  
Linv = inv(L);
```

H is an *n*-by-*n* matrix, which must be symmetric and positive definite. If $p > 0$, then *H* is positive definite.

Note: The KWIK algorithm requires the computation of **Lin_v** instead of using *H* directly, as in the `quadprog` command.

f – Multiplier of objective function linear term

column vector

Multiplier of objective function linear term, specified as a column vector of length *n*.

A – Linear inequality constraint coefficients

m-by-*n* matrix | []

Linear inequality constraint coefficients, specified as an *m*-by-*n* matrix, where *m* is the number of inequality constraints.

If your problem has no inequality constraints, use [].

b – Right-hand side of inequality constraints

column vector of length *m*

Right-hand side of inequality constraints, specified as a column vector of length *m*.

If your problem has no inequality constraints, use `zeros(0,1)`.

Aeq — Linear equality constraint coefficients

q-by-*n* matrix | []

Linear equality constraint coefficients, specified as a *q*-by-*n* matrix, where *q* is the number of equality constraints, and $q \leq n$. Equality constraints must be linearly independent with $\text{rank}(\text{Aeq}) = q$.

If your problem has no equality constraints, use [].

beq — Right-hand side of equality constraints

column vector of length *q*

Right-hand side of equality constraints, specified as a column vector of length *q*.

If your problem has no equality constraints, use `zeros(0,1)`.

iA0 — Initial active inequalities

logical vector of length *m*

Initial active inequalities, where the equal portion of the inequality is true, specified as a logical vector of length *m* according to the following:

- If your problem has no inequality constraints, use `false(0,1)`.
- For a *cold start*, `false(m,1)`.
- For a *warm start*, set `iA0(i) == true` to start the algorithm with the *i*th inequality constraint active. Use the optional output argument `iA` from a previous solution to specify `iA0` in this way. If both `iA0(i)` and `iA0(j)` are `true`, then rows *i* and *j* of **A** should be linearly independent. Otherwise, the solution can fail with `status = -2`.

options — Option set for `mpcqp solver`

structure

Option set for `mpcqp solver`, specified as a structure created using `mpcqp solverOptions`.

Output Arguments

x — Optimal solution to the QP problem

column vector

Optimal solution to the QP problem, returned as a column vector of length n . `mpcqpsolver` always returns a value for \mathbf{x} . To determine whether the solution is optimal or feasible, check the solution `status`.

status — Solution validity indicator

positive integer | 0 | -1 | -2

Solution validity indicator, returned as an integer according to the following:

Value	Description
> 0	\mathbf{x} is optimal. <code>status</code> represents the number of iterations performed during optimization.
0	The maximum number of iterations was reached. The solution, \mathbf{x} , may be suboptimal or infeasible.
-1	The problem appears to be infeasible, that is, the constraint $A\mathbf{x} \geq \mathbf{b}$ cannot be satisfied.
-2	An unrecoverable numerical error occurred.

iA — Active inequalities

logical vector of length m

Active inequalities, where the equal portion of the inequality is true, returned as a logical vector of length m . If `iA(i) == true`, then the i th inequality is active for the solution \mathbf{x} .

Use `iA` to *warm start* a subsequent `mpcqpsolver` solution.

lambda — Lagrange multipliers

structure

Lagrange multipliers, returned as a structure with the following fields:

Field	Description
<code>ineqlin</code>	Multipliers of the inequality constraints, returned as a vector of length n . When the solution is optimal, the elements of <code>ineqlin</code> are nonnegative.
<code>eqlin</code>	Multipliers of the equality constraints, returned as a vector of length q . There are no sign restrictions in the optimal solution.

More About

Tips

- The KWIK algorithm requires that the Hessian matrix, H , be positive definite. When calculating L_{inv} , use:

```
[L, p] = chol(H, 'lower');
```

If $p = 0$, then H is positive definite. Otherwise, p is a positive integer.

- `mpcqpssolver` provides access to the QP solver used by Model Predictive Control Toolbox software. Use this command to solve QP problems in your own custom MPC applications. For an example of a custom MPC application using `mpcqpssolver`, see “Solve Custom MPC Quadratic Programming Problem and Generate Code”.
- You can also use `mpcqpssolver` as a general-purpose QP solver that supports code generation. Create a function, 'myCode', that uses `mpcqpssolver`.

```
function [out1,out2] = myCode(in1,in2)
%#codegen
...
[x,status] = mpcqpssolver(Linv,f,A,b,Aeq,Beq,iA0,options);
...
```

Generate C code with MATLAB Coder™.

```
func = 'myCode';
cfg = coder.config('mex'); % or 'lib', 'dll'
codegen('-config',cfg,func,'-o',func);
```

When using `mpcqpssolver` for code generation, use the same precision for all real inputs, including options. Configure the precision as 'double' or 'single' using `mpcqpssolverOptions`.

Algorithms

`mpcqpssolver` solves the QP problem using an active-set method, the KWIK algorithm, based on [1]. For more information, see “QP Solver”.

The KWIK algorithm defines inequality constraints as $Ax \geq b$ rather than $Ax \leq b$, as in the `quadprog` command.

- “QP Solver”

References

- [1] Schmid, C., and L. T. Biegler. “Quadratic programming methods for reduced Hessian SQP.” *Computers & Chemical Engineering*. Vol. 18, No. 9, 1994, pp. 817–832.

See Also

`mpcqpSolverOptions` | `quadprog`

Introduced in R2015b

mpcqpSolverOptions

Create default option set for mpcqpSolver

Syntax

```
options = mpcqpSolverOptions  
options = mpcqpSolverOptions(type)
```

Description

`options = mpcqpSolverOptions` creates a structure of default options for `mpcqpSolver`, which solves a quadratic programming (QP) problem using the KWIK algorithm.

`options = mpcqpSolverOptions(type)` creates a default option set using the specified input data type. All real options are specified using this data type.

Examples

Create Default Option Set for MPC QP Solver

```
opt = mpcqpSolverOptions;
```

Create and Modify Default MPC QP Solver Option Set

Create default option set.

```
opt = mpcqpSolverOptions;
```

Specify the maximum number of iterations allowed during computation.

```
opt.MaxIter = 100;
```

Specify a feasibility tolerance for verifying that the optimal solution satisfies the inequality constraints.

```
opt.FeasibilityTol = 1.0e-3;
```

Create Option Set Specifying Input Argument Type

```
opt = mpcqpsolverOptions('single');
```

Input Arguments

type — MPC QP solver input argument data type

'double' (default) | 'single'

MPC QP solver input argument data type, specified as either 'double' or 'single'. This data type is used for both simulation and code generation. All real options in the option set are specified using this data type, and all real input arguments to `mpcqpsolver` must match this type.

Output Arguments

options — Option set for `mpcqpsolver`

structure

Option set for `mpcqpsolver`, returned as a structure with the following fields:

Field	Description	Default
<code>DataType</code>	Input argument data type, specified as either 'double' or 'single'. This data type is used for both simulation and code generation, and all real input arguments to <code>mpcqpsolver</code> must match this type.	'double'
<code>MaxIter</code>	Maximum number of iterations allowed when computing the QP solution, specified as a positive integer.	200
<code>Feasibil</code>	Tolerance used to verify that inequality constraints are satisfied by the optimal solution, specified as a positive scalar. A larger <code>FeasibilityTol</code> value allows for larger constraint violations.	1.0e-6
<code>Integrit</code>	Indicator of whether integrity checks are performed on the <code>mpcqpsolver</code> input data, specified as a logical value. If <code>IntegrityChecks</code> is <code>true</code> , then integrity checks are performed and diagnostic messages are displayed. Use <code>false</code> for code generation only.	<code>true</code>

See Also

mpcqsolver

Introduced in R2015b

mpcsimopt

MPC simulation options

Syntax

```
options = mpcsimopt(MPCobj)
```

Description

`options = mpcsimopt(MPCobj)` creates an set of options for specifying additional parameters for simulating an `mpc` controller, `MPCobj`, with `sim`. Initially, `options` is empty. Use dot notation to change the options as needed for the simulation.

Output Arguments

`options`

Options for simulating an `mpc` controller using `sim`. `options` has the following properties.

MPC Simulation Options Properties

Property	Description
<code>PlantInitialState</code>	Initial state vector of the plant model generating the data.
<code>ControllerInitialState</code>	Initial condition of the MPC controller. This must be a valid <code>mpcstate</code> object. Note Nonzero values of <code>ControllerInitialState.LastMove</code> are only meaningful if there are constraints on the increments of the manipulated variables.
<code>UnmeasuredDisturbance</code>	Unmeasured disturbance signal entering the plant.

Property	Description
	An array with as many rows as simulation steps, and as many columns as unmeasured disturbances. Default: 0
InputNoise	Noise on manipulated variables. An array with as many rows as simulation steps, and as many columns as manipulated variables. The last sample of the array is extended constantly over the horizon to obtain the correct size. Default: 0
OutputNoise	Noise on measured outputs. An array with as many rows as simulation steps, and as many columns as measured outputs. The last sample of the array is extended constantly over the horizon to obtain the correct size. Default: 0
RefLookAhead	Preview on reference signal ('on' or 'off'). Default: 'off'
MDLookAhead	Preview on measured disturbance signal ('on' or 'off').
Constraints	Use MPC constraints ('on' or 'off'). Default: 'on'
Model	Model used in simulation for generating the data. This property is useful for simulating the MPC controller under model mismatch. The LTI object specified in <code>Model</code> can be either a replacement for <code>Model.Plant</code> , or a structure with fields <code>Plant</code> and <code>Nominal</code> . By default, <code>Model</code> is equal to <code>MPCobj.Model</code> (no model mismatch). If <code>Model</code> is specified, then <code>PlantInitialState</code> refers to the initial state of <code>Model.Plant</code> and is defaulted to <code>Model.Nominal.x</code> . If <code>Model.Nominal</code> is empty, <code>Model.Nominal.U</code> and <code>Model.Nominal.Y</code> are inherited from <code>MPCobj.Model.Nominal</code> . <code>Model.Nominal.X/</code>

Property	Description
	DX is only inherited if both plants are state-space objects with the same state dimension.
StatusBar	Display the wait bar ('on' or 'off'). Default: 'off'
MVSignal	Sequence of manipulated variables (with offsets) for open-loop simulation (no MPC action). An array with as many rows as simulation steps, and as many columns as manipulated variables. Default: 0
OpenLoop	Perform open-loop simulation ('on' or 'off'). Default: 'off'

Examples

Simulate MPC Control with Plant Model Mismatch

Simulate the MPC control of a multi-input, multi-output (MIMO) system with a mismatch between the predicted and actual plant models. The system has two manipulated variables, two unmeasured disturbances, and two measured outputs.

Define the predicted plant model.

```
p1 = tf(1,[1 2 1])*[1 1;0 1];
plantPredict = ss([p1 p1]);
plantPredict.InputName = {'mv1','mv2','umd3','umd4'};
```

Specify the MPC signal types.

```
plantPredict = setmpcsignals(plantPredict,'MV',[1 2],'UD',[3 4]);
```

Create the MPC controller.

```
mpcobj = mpc(plantPredict,1,40,2);
```

```
-->The "Weights.ManipulatedVariables" property of "mpc" object is empty. Assuming default values.
-->The "Weights.ManipulatedVariablesRate" property of "mpc" object is empty. Assuming default values.
```


-->The "Weights.OutputVariables" property of "mpc" object is empty. Assuming default 1

Define the unmeasured input disturbance model used by the controller.

```
distModel = eye(2,2)*ss(-0.5,1,1,0);
mpcobj.Model.Disturbance = distModel;
```

Define an actual plant model which differs from the predicted model and has unforeseen unmeasured disturbance inputs.

```
p2 = tf(1.5,[0.1 1 2 1])*[1 1;0 1];
plantActual = ss([p2 p2 tf(1,[1 1])*[0;1]]);
plantActual = setmpcsignals(plantActual,'MV',[1 2],'UD',[3 4 5]);
```

Configure the unmeasured disturbance and output reference trajectories.

```
dist = ones(1,3);
refs = [1 2];
```

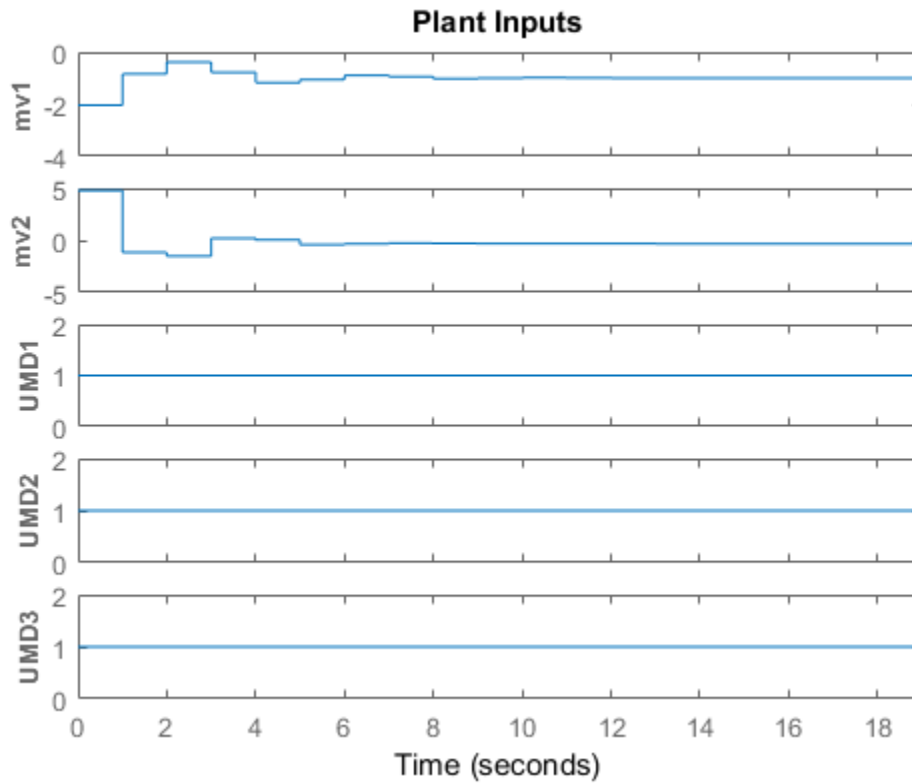
Create and configure a simulation option set.

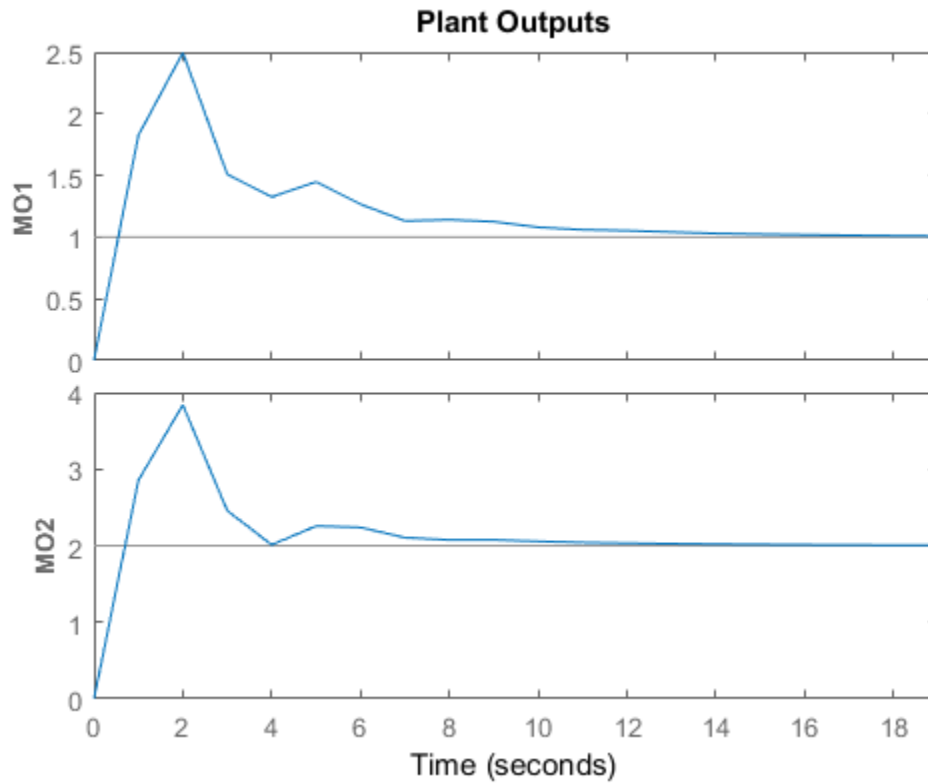
```
options = mpcsimopt(mpcobj);
options.UnmeasuredDisturbance = dist;
options.Model = plantActual;
```

Simulate the system.

```
sim(mpcobj,20,refs,options)
```

```
-->Converting model to discrete time.
-->Assuming output disturbance added to measured output channel #1 is integrated white
-->Assuming output disturbance added to measured output channel #2 is integrated white
-->The "Model.Noise" property of the "mpc" object is empty. Assuming white noise on ea
-->Converting model to discrete time.
-->The "PredictionHorizon" property of "mpc" object is empty. Trying PredictionHorizon
-->The "ControlHorizon" property of the "mpc" object is empty. Assuming 2.
-->The "Weights.ManipulatedVariables" property of "mpc" object is empty. Assuming defa
-->The "Weights.ManipulatedVariablesRate" property of "mpc" object is empty. Assuming c
-->The "Weights.OutputVariables" property of "mpc" object is empty. Assuming default 1
```





- “Simulate Controller with Nonlinear Plant”

See Also

`sim`

Introduced before R2006a

mpcstate

Define MPC controller state

Syntax

```
xmpc = mpcstate(MPCobj)
xmpc = mpcstate(MPCobj, xp, xd, xn, u, p)
xmpc = mpcstate
```

Description

`xmpc = mpcstate(MPCobj)` creates a controller state object compatible with the controller object, `MPCobj`, in which all fields are set to their default values that are associated with the controller’s nominal operating point.

`xmpc = mpcstate(MPCobj, xp, xd, xn, u, p)` sets the state fields of the controller state object to specified values. The controller may be an implicit or explicit controller object. Use this controller state object to initialize an MPC controller at a specific state other than the default state.

`xmpc = mpcstate` returns an `mpcstate` object in which all fields are empty.

`mpcstate` objects are updated by `mpcmove` through the internal state observer based on the extended prediction model. The overall state is updated from the measured output $y_m(k)$ by a linear state observer (see “State Observer”).

Input Arguments

MPCobj

MPC controller, specified as either a traditional MPC controller (`mpc`) or explicit MPC controller (`generateExplicitMPC`).

xp

Plant model state estimates, specified as a vector with N_{xp} elements, where N_{xp} is the number of states in the plant model.

xd

Disturbance model state estimates, specified as a vector with N_{xd} elements, where N_{xd} is the total number of states in the input and output disturbance models. The disturbance model states are ordered such that input disturbance model states are followed by output disturbance model state estimates.

xn

Measurement noise model state estimates, specified as a vector with N_{xn} elements, where N_{xn} is the number of states in the measurement noise model.

u

Values of the manipulated variables during the previous control interval, specified as a vector with N_u elements, where N_u is the number of manipulated variables.

p

Covariance matrix for the state estimates, specified as an N -by- N matrix, where N is the sum of N_{xp} , N_{xd} and N_{xn} .

Output Arguments

xmpc

MPC state object, containing the following properties.

Property	Description
Plant	<p>Vector of state estimates for the controller's plant model. Values are in engineering units and are absolute, i.e., they include state offsets.</p> <p>If the controller's plant model includes delays, the Plant field of the MPC state object includes states that model the delays. Therefore <code>length(Plant) > order of undelayed controller plant model</code>.</p> <p>Default: controller's <code>Model.Nominal.X</code> property.</p>

Property	Description
Disturbance	<p>Vector of unmeasured disturbance model state estimates. This comprises the states of the input disturbance model followed by the states of the output disturbances model.</p> <p>Disturbance models may be created by default. Use the <code>getindistand</code> <code>getoutdist</code> commands to view the two disturbance model structures.</p> <p>Default: zero, or empty if there are no disturbance model states.</p>
Noise	<p>Vector of output measurement noise model state estimates.</p> <p>Default: zero, or empty if there are no noise model states.</p>
LastMove	<p>Vector of manipulated variables used in the previous control interval, $u(k-1)$. Values are absolute, i.e., they include manipulated variable offsets.</p> <p>Default: nominal values of the manipulated variables.</p>
Covariance	<p>n-by-n symmetrical covariance matrix for the controller state estimates, where n is the dimension of the extended controller state, i.e., the sum of the number states contained in the <code>Plant</code>, <code>Disturbance</code>, and <code>Noise</code> fields.</p> <p>Default: If the controller is employing default state estimation the default is the steady-state covariance computed according to the assumptions in “Controller State Estimation”. See also the description of the <code>P</code> matrix in the Control System Toolbox <code>kalmd</code> command. If the controller is employing custom state estimation, this field is empty (not used).</p>

Examples

Get Controller State Object

Create a Model Predictive Controller for a single-input-single-output (SISO) plant. For this example, the plant includes an input delay of 0.4 time units, and the control interval to 0.2 time units.

```
H = tf(1,[10 1], 'InputDelay',0.4);
MPCobj = mpc(H,0.2);
```

```
-->The "PredictionHorizon" property of "mpc" object is empty. Trying PredictionHorizon
-->The "ControlHorizon" property of the "mpc" object is empty. Assuming 2.
-->The "Weights.ManipulatedVariables" property of "mpc" object is empty. Assuming default
-->The "Weights.ManipulatedVariablesRate" property of "mpc" object is empty. Assuming default
-->The "Weights.OutputVariables" property of "mpc" object is empty. Assuming default 1
```

Create the corresponding controller state object in which all states are at their default values.

```
xMPC = mpcstate(MPCobj)
```

```
-->Converting the "Model.Plant" property of "mpc" object to state-space.
-->Converting model to discrete time.
-->Converting delays to states.
-->Assuming output disturbance added to measured output channel #1 is integrated white
-->The "Model.Noise" property of the "mpc" object is empty. Assuming white noise on each
MPCSTATE object with fields
    Plant: [0 0 0]
    Disturbance: 0
    Noise: [1x0 double]
    LastMove: 0
    Covariance: [4x4 double]
```

The plant model, H , is a first-order, continuous-time transfer function. The `Plant` property of the `mpcstate` object contains two additional states to model the two intervals of delay. Also, by default the controller contains a first-order output disturbance model (an integrator) and an empty measured output noise model.

View the default covariance matrix.

```
xMPC.Covariance
```

```
ans =
```

```
    0.0624    0.0000    0.0000   -0.0224
    0.0000    1.0000    0.0000   -0.0000
    0.0000    0.0000    1.0000   -0.0000
   -0.0224   -0.0000   -0.0000    0.2301
```

See Also

getoutdist | setindist | setoutdist | getEstimator | setEstimator | ss |
mpcmove

Introduced before R2006a

mpcverbosity

Change toolbox verbosity level

Syntax

```
mpcverbosity on  
mpcverbosity off  
old_status = mpcverbosity(new_status)  
mpcverbosity
```

Description

`mpcverbosity on` enables messages displaying default operations taken by Model Predictive Control Toolbox software during the creation and manipulation of model predictive control objects.

`mpcverbosity off` turns messages off.

`old_status = mpcverbosity(new_status)` sets the verbosity level to the specified value, `new_status`. The function returns the original value of the verbosity level as `old_status`. Specify `new_status` as a string with the value of either 'on' or 'off' .

`mpcverbosity` just shows the verbosity status.

By default, messages are turned on.

See also “Construction and Initialization” on page 3-12 .

See Also

`mpc`

Introduced before R2006a

plot

Plot responses generated by MPC simulations

Syntax

```
plot(MPCobj,t,y,r,u,v,d)
```

Description

`plot(MPCobj,t,y,r,u,v,d)` plots the results of a simulation based on the MPC object `MPCobj`. `t` is a vector of length `Nt` of time values, `y` is a matrix of output responses of size `[Nt,Ny]` where `Ny` is the number of outputs, `r` is a matrix of setpoints and has the same size as `y`, `u` is a matrix of manipulated variable inputs of size `[Nt,Nu]` where `Nu` is the number of manipulated variables, `v` is a matrix of measured disturbance inputs of size `[Nt,Nv]` where `Nv` is the number of measured disturbance inputs, and `d` is a matrix of unmeasured disturbance inputs of size `[Nt,Nd]` where `Nd` is the number of unmeasured disturbances input.

See Also

`sim` | `mpc`

Introduced before R2006a

plotSection

Visualize explicit MPC control law as 2-D sectional plot

Syntax

```
plotsection(EMPCobj,plotParams)
```

Description

`plotsection(EMPCobj,plotParams)` displays a 2-D sectional plot of the piecewise affine regions used by an explicit MPC controller. All but two of the control law's free parameters are fixed, as specified by `plotParams`. The two remaining variables form the plot axes. By default, the `EMPCobj.Range` property sets the bounds for these axes.

Examples

Specify Fixed Parameters for 2-D Plot of Explicit Control Law

Define a double integrator plant model and create a traditional implicit MPC controller for this plant. Constrain the manipulated variable to have an absolute value less than 1.

```
plant = tf(1,[1 0 0]);
MPCobj = mpc(plant,0.1,10,3);
MPCobj.MV = struct('Min',-1,'Max',1);
```

```
-->The "Weights.ManipulatedVariables" property of "mpc" object is empty. Assuming default
-->The "Weights.ManipulatedVariablesRate" property of "mpc" object is empty. Assuming default
-->The "Weights.OutputVariables" property of "mpc" object is empty. Assuming default 1
```

Define the parameter bounds for generating an explicit MPC controller.

```
range = generateExplicitRange(MPCobj);
range.State.Min(:) = [-10;-10];
range.State.Max(:) = [10;10];
range.Reference.Min(:) = -2;
range.Reference.Max(:) = 2;
range.ManipulatedVariable.Min(:) = -1.1;
range.ManipulatedVariable.Max(:) = 1.1;
```

```
-->Converting the "Model.Plant" property of "mpc" object to state-space.  
-->Converting model to discrete time.  
    Assuming no disturbance added to measured output channel #1.  
-->The "Model.Noise" property of the "mpc" object is empty. Assuming white noise on ea
```

Create an explicit MPC controller.

```
EMPCobj = generateExplicitMPC(MPCobj,range);
```

```
Regions found / unexplored:      19/      0
```

Create a default plot parameter structure, which specifies that all of the controller parameters are fixed at their nominal values for plotting.

```
plotParams = generatePlotParameters(EMPCobj);
```

Allow the controller states to vary when creating a plot.

```
plotParams.State.Index = [];  
plotParams.State.Value = [];
```

Fix the manipulated variable and reference signal to 0 for plotting.

```
plotParams.ManipulatedVariable.Index(1) = 1;  
plotParams.ManipulatedVariable.Value(1) = 0;  
plotParams.Reference.Index(1) = 1;  
plotParams.Reference.Value(1) = 0;
```

Generate the 2-D section plot for the explicit MPC controller.

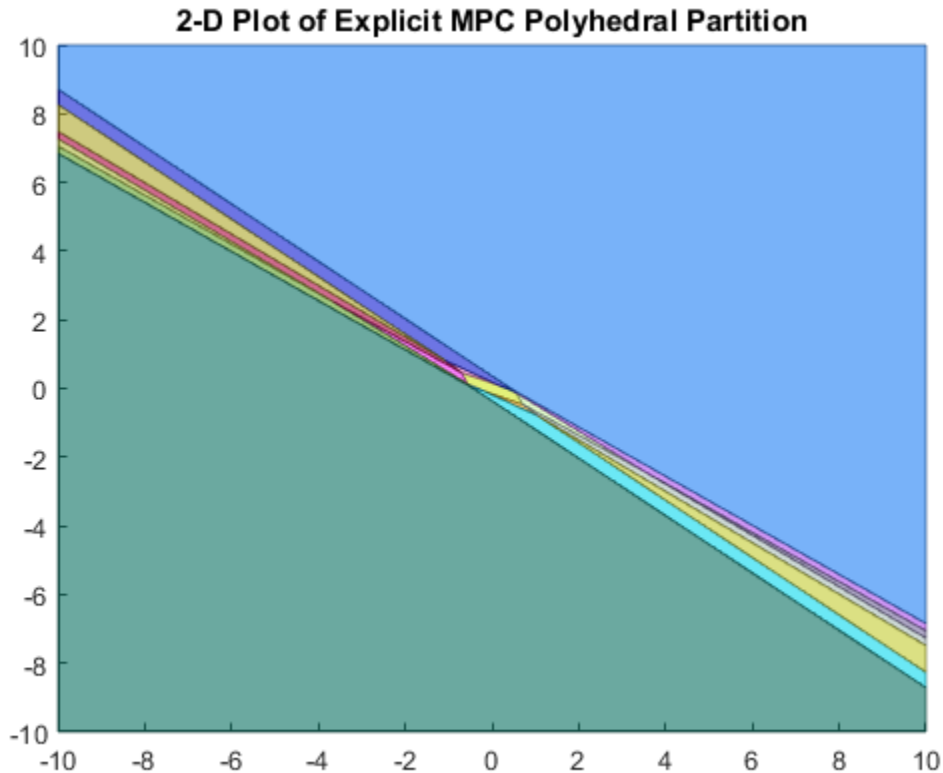
```
plotSection(EMPCobj,plotParams)
```

```
ans =
```

```
Figure (1: PiecewiseAffineSectionPlot) with properties:
```

```
    Number: 1  
    Name: 'PiecewiseAffineSectionPlot'  
    Color: [0.9400 0.9400 0.9400]  
    Position: [360 502 560 420]  
    Units: 'pixels'
```

Use GET to show all properties



Input Arguments

EMPCobj — Explicit MPC controller

explicit MPC controller object

Explicit MPC controller for which you want to create a 2-D sectional plot, specified as an Explicit MPC controller object. Use `generateExplicitMPC` to create an explicit MPC controller.

plotParams — Parameters for sectional plot

structure

Parameters for sectional plot of explicit MPC control law, specified as a structure. Use `generatePlotParameters` to create an initial structure in which all the parameters of the controller are fixed at their nominal values. Then, modify this structure as necessary before invoking `plotSection`. See `generatePlotParameters` for more information.

See Also

`generateExplicitMPC` | `generatePlotParameters`

Introduced in R2014b

review

Examine MPC controller for design errors and stability problems at run time

Syntax

```
review(mpcobj)
```

Description

`review(mpcobj)` checks for potential design issues in the model predictive controller, `mpcobj`, and generates a report. `review` performs the following diagnostic tests:

- Is the optimal control problem well defined?
- Is the controller internally stable?
- Is the closed loop system stable when no constraints are active and there is no model mismatch?
- Is the controller able to eliminate steady-state tracking error when no constraints are active?
- Is there a likelihood that constraint definitions will result in an ill-conditioned or infeasible optimization problem?
- If the controller were used in a real-time environment, what memory capacity would be needed?

Use `review` iteratively to check your initial MPC design or whenever you make substantial changes to your controller. Make the recommended changes to your controller to eliminate potential problems. `review` does not modify `mpcobj`.

Input Arguments

`mpcobj`

Non-empty Model Predictive Controller (`mpc`) object

Examples

Examine MPC Controller for Design Errors or Stability Problems

Define a plant model and create an MPC controller.

```
plant = tf(1, [10 1]);  
Ts = 2;  
MPCobj = mpc(plant, Ts);
```

```
-->The "PredictionHorizon" property of "mpc" object is empty. Trying PredictionHorizon  
-->The "ControlHorizon" property of the "mpc" object is empty. Assuming 2.  
-->The "Weights.ManipulatedVariables" property of "mpc" object is empty. Assuming defa  
-->The "Weights.ManipulatedVariablesRate" property of "mpc" object is empty. Assuming c  
-->The "Weights.OutputVariables" property of "mpc" object is empty. Assuming default 1
```

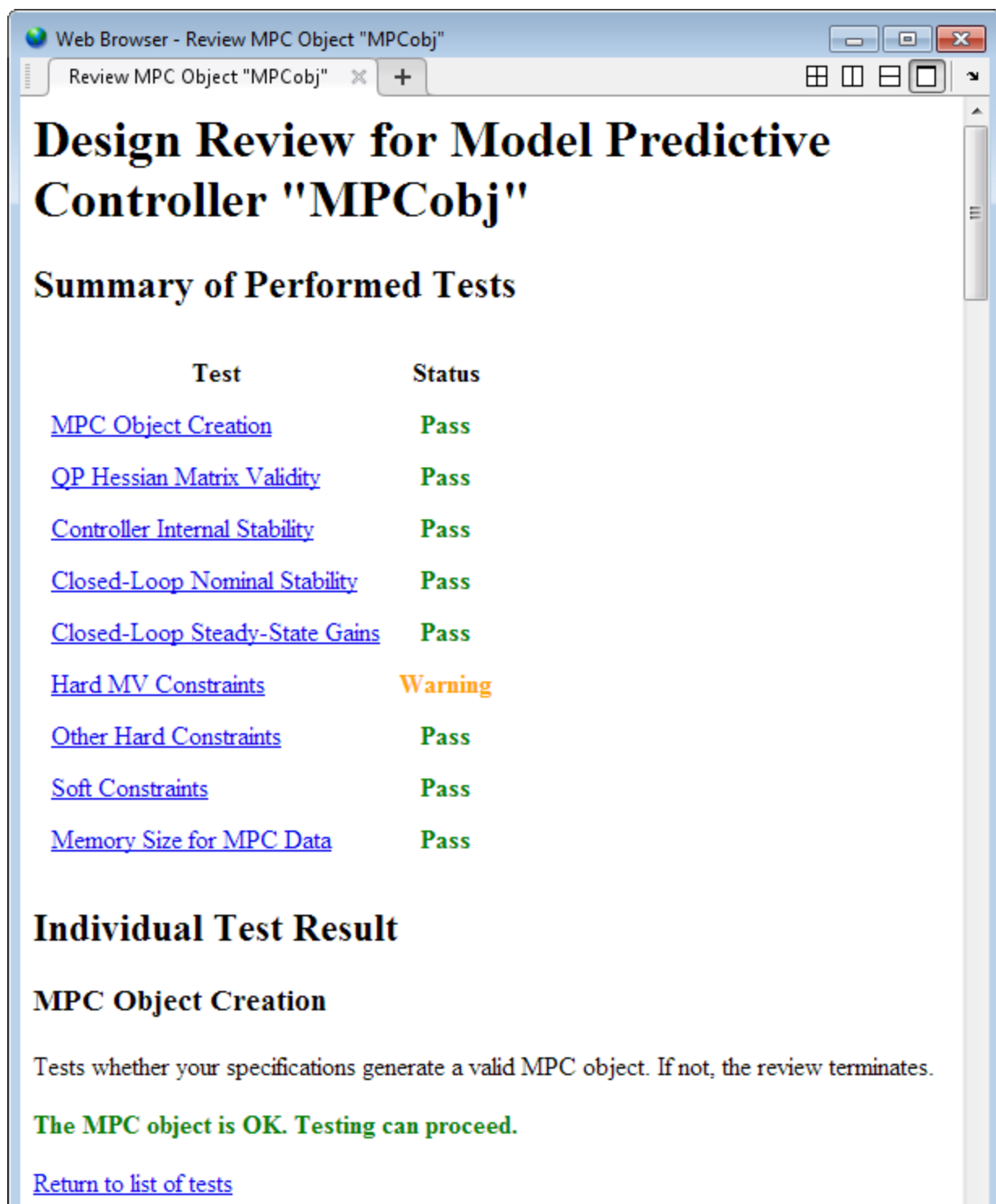
Set hard upper and lower bounds on the manipulated variable and its rate-of-change.

```
MV = MPCobj.MV;  
MV.Min = -2;  
MV.Max = 2;  
MV.RateMin = -4;  
MV.RateMax = 4;  
MPCobj.MV = MV;
```

Review the controller design.

```
review(MPCobj)
```

```
-->Converting the "Model.Plant" property of "mpc" object to state-space.  
-->Converting model to discrete time.  
-->Assuming output disturbance added to measured output channel #1 is integrated white  
-->The "Model.Noise" property of the "mpc" object is empty. Assuming white noise on ea  
-->Converting the "Model.Plant" property of "mpc" object to state-space.  
-->Converting model to discrete time.  
-->Assuming output disturbance added to measured output channel #1 is integrated white  
-->The "Model.Noise" property of the "mpc" object is empty. Assuming white noise on ea
```

The image shows a screenshot of a web browser window. The title bar reads "Web Browser - Review MPC Object 'MPCobj'". The address bar shows "Review MPC Object 'MPCobj'". The main content area has a large heading "Design Review for Model Predictive Controller 'MPCobj'" and a sub-heading "Summary of Performed Tests". Below this is a table with two columns: "Test" and "Status". The table lists nine tests, with most having a "Pass" status and one having a "Warning" status. Below the table is a section titled "Individual Test Result" for "MPC Object Creation", which states that the MPC object is OK and testing can proceed. A link "Return to list of tests" is provided at the bottom.

Test	Status
MPC Object Creation	Pass
QP Hessian Matrix Validity	Pass
Controller Internal Stability	Pass
Closed-Loop Nominal Stability	Pass
Closed-Loop Steady-State Gains	Pass
Hard MV Constraints	Warning
Other Hard Constraints	Pass
Soft Constraints	Pass
Memory Size for MPC Data	Pass

Individual Test Result

MPC Object Creation

Tests whether your specifications generate a valid MPC object. If not, the review terminates.

The MPC object is OK. Testing can proceed.

[Return to list of tests](#)

review flags the potential constraint conflict that could result if this controller was used to control a real process.

Hard MV Constraints

The controller should always satisfy hard bounds on a manipulated variable *OR* its rate-of-change. If you specify both constraint types simultaneously, however, they might conflict during real-time use.

For example, if an event pushes an MV outside a specified hard bound and the hard MV rate bounds are too small, the resulting QP will be *infeasible*.

Avoid such conflicts by specifying hard MV bounds *OR* hard MV rate bounds, but not both. Or if you want to specify both, soften the lower-priority constraint by setting its ECR to a value greater than zero.

Warning: your constraint definitions may conflict. The following table lists potential conflicts for each MV. The tabular entries show the location of each conflict in the prediction horizon and the type of conflict.

MV name	Horizon k	Conflict Type
MV1	1	Min & RateMax
MV1	1	Max & RateMin

[Return to list of tests](#)

Other Hard Constraints

It can be impossible for your controller to satisfy all its hard constraints under all conditions

- Reviewing Model Predictive Controller Design for Potential Stability and Robustness Issues

Alternatives

`review` automates certain tests that you can perform at the command line.

- To test for steady-state tracking errors, use `cloffset`.
- To test the internal stability of a controller, check the eigenvalues of the `mpc` object. Use `ss` to convert the `mpc` object to a state-space model, and call `isstable`.

More About

Tips

- You can review your controller design in the MPC Designer app. On the **Tuning** tab, in the **Analysis** section, click **Review Design**.
- Test your controller design using techniques such as simulations, since `review` cannot detect all possible performance factors.
- “Simulation and Code Generation Using Simulink Coder”

See Also

`cloffset` | `mpc` | `ss`

Introduced in R2011b

sensitivity

Compute effect of controller tuning weights on performance

Syntax

```
[J,sens] =
sensitivity(MPCobj,PerfFunc,PerfWeights,Tstop,r,v,simopt,utarget)
[J,sens] = sensitivity(MPCobj,'perf_fun',param1,param2,...)
```

Description

The `sensitivity` function is a controller tuning aid. `J` specifies a scalar performance metric. `sensitivity` computes `J` and its partial derivatives with respect to the controller tuning weights. These *sensitivities* suggest tuning weight adjustments that should improve performance, that is, reduce `J`.

```
[J,sens] =
sensitivity(MPCobj,PerfFunc,PerfWeights,Tstop,r,v,simopt,utarget)
calculates the scalar performance metric, J, and sensitivities, sens, for the controller
defined by the MPC controller object MPCobj.
```

`PerfFunc` must be one of the following strings:

'ISE' (integral squared error) for which the performance metric is

$$J = \sum_{i=1}^{Tstop} \left(\sum_{j=1}^{n_y} (w_j^y e_{yij})^2 + \sum_{j=1}^{n_u} [(w_j^u e_{uij})^2 + (w_j^{\Delta u} \Delta u_{ij})^2] \right)$$

'IAE' (integral absolute error) for which the performance metric is

$$J = \sum_{i=1}^{Tstop} \left(\sum_{j=1}^{n_y} |w_j^y e_{yij}| + \sum_{j=1}^{n_u} (|w_j^u e_{uij}| + |w_j^{\Delta u} \Delta u_{ij}|) \right)$$

'ITSE' (integral of time-weighted squared error) for which the performance metric is

$$J = \sum_{i=1}^{Tstop} i\Delta t \left(\sum_{j=1}^{n_y} (w_j^y e_{yij})^2 + \sum_{j=1}^{n_u} [(w_j^u e_{uij})^2 + (w_j^{\Delta u} \Delta u_{ij})^2] \right)$$

$$J = \sum_{i=1}^{Tstop} i\Delta t \left(\sum_{j=1}^{n_y} |w_j^y e_{yij}| + \sum_{j=1}^{n_u} (|w_j^u e_{uij}| + |w_j^{\Delta u} \Delta u_{ij}|) \right)$$

'ITAE' (integral of time-weighted absolute error) for which the performance metric is

In the above expressions n_y is the number of controlled outputs and n_u is the number of manipulated variables. e_{yij} is the difference between output j and its setpoint (or reference) value at time interval i . e_{uij} is the difference between manipulated variable j and its target at time interval i .

The w parameters are nonnegative performance weights defined by the structure `PerfWeights`, which contains the following fields:

- `OutputVariables` — n_y element row vector that contains the w_j^y values
- `ManipulatedVariables` — n_u element row vector that contains the w_j^u values
- `ManipulatedVariablesRate` — n_u element row vector that contains the $w_j^{\Delta u}$ values

If `PerfWeights` is unspecified, it defaults to the corresponding weights in `MPCobj`. In general, however, the performance weights and those used in the controller have different purposes and should be defined accordingly.

Inputs `Tstop`, `r`, `v`, and `simopt` define the simulation scenario used to evaluate performance. See `sim` for details.

`Tstop` is the integer number of controller sampling intervals to be simulated. The final time for the simulations will be $Tstop \times \Delta t$, where Δt is the controller sampling interval specified in `MPCobj`.

The optional input `utarget` is a vector of n_u manipulated variable targets. Their defaults are the nominal values of the manipulated variables. Δu_{ij} is the change in manipulated variable j and its target at time interval i .

The structure variable `sens` contains the computed sensitivities (partial derivatives of `J` with respect to the `MPCobj` tuning weights.) Its fields are:

- `OutputVariables` — n_y element row vector of sensitivities with respect to `MPCobj.Weights.OutputVariables`
- `ManipulatedVariables` — n_u element row vector of sensitivities with respect to `MPCobj.Weights.ManipulatedVariables`
- `ManipulatedVariablesRate` — n_u element row vector of sensitivities with respect to `MPCobj.Weights.ManipulatedVariablesRate`

See “Weights” on page 1-65 for details on the tuning weights contained in `MPCobj`.

`[J,sens] = sensitivity(MPCobj, 'perf_fun', param1, param2, ...)` employs a performance function 'perf_fun' to define `J`. Its function definition must be in the form

```
function J = perf_fun(MPCobj, param1, param2, ...)
```

That is, it must compute `J` for the given controller and optional parameters `param1`, `param2`, ... and it must be on the MATLAB path.

Note: While performing the sensitivity analysis, the software ignores time-varying, nondiagonal, and ECR slack variable weights.

Examples

Compute Controller Performance and Sensitivity

Define a third-order plant model with three manipulated variables and two controlled outputs.

```
plant = rss(3,2,3);
plant.d = 0;
```

Create an MPC controller for the plant.

```
MPCobj = mpc(plant,1);
```

```
-->The "PredictionHorizon" property of "mpc" object is empty. Trying PredictionHorizon
-->The "ControlHorizon" property of the "mpc" object is empty. Assuming 2.
-->The "Weights.ManipulatedVariables" property of "mpc" object is empty. Assuming defau
```

```
-->The "Weights.ManipulatedVariablesRate" property of "mpc" object is empty. Assuming default 1  
-->The "Weights.OutputVariables" property of "mpc" object is empty. Assuming default 1
```

Specify an integral absolute error performance function and set the performance weights.

```
PerfFunc = 'IAE';  
PerfWts.OutputVariables = [1 0.5];  
PerfWts.ManipulatedVariables = zeros(1,3);  
PerfWts.ManipulatedVariablesRate = zeros(1,3);
```

Define a 20 second simulation scenario with a unit step in the output 1 setpoint and a setpoint of zero for output 2.

```
Tstop = 20;  
r = [1 0];
```

Define the nominal values of the manipulated variables to be zeros.

```
utarget = zeros(1,3);
```

Calculate the performance metric, **J**, and sensitivities, **sens**, for the specified controller and simulation scenario.

```
[J, sens] = sensitivity(MPCobj,PerfFunc,PerfWts,Tstop,r,[],[],utarget);
```

```
-->Converting model to discrete time.  
-->Assuming output disturbance added to measured output channel #1 is integrated white  
-->Assuming output disturbance added to measured output channel #2 is integrated white  
-->The "Model.Noise" property of the "mpc" object is empty. Assuming white noise on each
```

See Also

[mpc](#) | [sim](#)

Introduced in R2009a

set

Set or modify MPC object properties

Syntax

```
set(MPCobj, 'Property', Value)
set(MPCobj, 'Property1', Value1, 'Property2', Value2, ...)
set(MPCobj, 'Property')
set(sys)
```

Description

The `set` function is used to set or modify the properties of an MPC controller (see “MPC Controller Object” on page 3-2 for background on MPC properties). Like its Handle Graphics® counterpart, `set` uses property name/property value pairs to update property values.

`set(MPCobj, 'Property', Value)` assigns the value `Value` to the property of the MPC controller `MPCobj` specified by the string `'Property'`. This string can be the full property name (for example, `'UserData'`) or any unambiguous case-insensitive abbreviation (for example, `'user'`).

`set(MPCobj, 'Property1', Value1, 'Property2', Value2, ...)` sets multiple property values with a single statement. Each property name/property value pair updates one particular property.

`set(MPCobj, 'Property')` displays admissible values for the property specified by `'Property'`. See “MPC Controller Object” on page 3-2 for an overview of legitimate MPC property values.

`set(sys)` displays all assignable properties of `sys` and their admissible values.

See Also

`mpc` | `get` | `mpcprops`

Introduced before R2006a

setconstraint

Set custom constraints on linear combinations of plant inputs and outputs

Syntax

```
setconstraint(MPCobj, E, F, G)
setconstraint(MPCobj, E, F, G, V)
setconstraint(MPCobj, E, F, G, V, S)

setconstraint(MPCobj)
```

Description

`setconstraint(MPCobj, E, F, G)` specifies custom constraints of the following form for the MPC controller, `MPCobj`:

$$Eu(k+j|k) + Fy(k+j|k) \leq G + \varepsilon$$

where $j = 0, \dots, p$, and:

- p is the prediction horizon.
- k is the current time index.
- E , F , and G are constant matrices. Each row of E , F , and G represents a linear constraint to be imposed at each prediction horizon step.
- u is a column vector of manipulated variables.
- y is a column vector of all plant output variables.
- ε is a slack variable used for constraint softening (as in “Standard Cost Function”).

`setconstraint(MPCobj, E, F, G, V)` adds constraints of the following form:

$$Eu(k+j|k) + Fy(k+j|k) \leq G + \varepsilon V$$

where V is a constant vector representing the equal concern for the relaxation (ECR).

`setconstraint(MPCobj, E, F, G, V, S)` adds constraints of the following form:

$$Eu(k+j|k) + Fy(k+j|k) + Sv(k+j|k) \leq G + \varepsilon V$$

where:

- v is a column vector of measured disturbance variables.
- S is a constant matrix.

`setconstraint(MPCobj)` removes all custom constraints from the MPC controller, `MPCobj`.

Examples

Specify Custom Constraints on Linear Combination of Inputs and Outputs

Specify a constraint of the form $0 \leq u_2 - 2u_3 + y_2 \leq 15$ on an MPC controller.

Create a third-order plant model with three manipulated variables and two measured outputs.

```
plant = rss(3,2,3);
plant.d = 0;
```

Create an MPC controller for this plant.

```
MPCobj = mpc(plant,0.1);
```

```
-->The "PredictionHorizon" property of "mpc" object is empty. Trying PredictionHorizon
-->The "ControlHorizon" property of the "mpc" object is empty. Assuming 2.
-->The "Weights.ManipulatedVariables" property of "mpc" object is empty. Assuming default
-->The "Weights.ManipulatedVariablesRate" property of "mpc" object is empty. Assuming default
-->The "Weights.OutputVariables" property of "mpc" object is empty. Assuming default 1
```

Formulate the constraint in the required form:

$$\begin{bmatrix} 0 & -1 & 2 \\ 0 & 1 & -2 \end{bmatrix} \begin{bmatrix} u_1 \\ u_2 \\ u_3 \end{bmatrix} + \begin{bmatrix} 0 & -1 \\ 0 & 1 \end{bmatrix} \begin{bmatrix} y_1 \\ y_2 \end{bmatrix} \leq \begin{bmatrix} 0 \\ 15 \end{bmatrix} + \varepsilon \begin{bmatrix} 1 \\ 1 \end{bmatrix}$$

Specify the constraint matrices.

```
E = [0 -1 2;0 1 -2];
F = [0 -1;0 1];
G = [0;15];
```

Set the constraints in the MPC controller.

```
setconstraint(MPCobj,E,F,G)
```

Specify Custom Hard Constraints for MPC Controller

Create a third-order plant model with two manipulated variables and two measured outputs.

```
plant = rss(3,2,2);  
plant.d = 0;
```

Create an MPC controller for this plant.

```
MPCobj = mpc(plant,0.1);
```

```
-->The "PredictionHorizon" property of "mpc" object is empty. Trying PredictionHorizon  
-->The "ControlHorizon" property of the "mpc" object is empty. Assuming 2.  
-->The "Weights.ManipulatedVariables" property of "mpc" object is empty. Assuming default  
-->The "Weights.ManipulatedVariablesRate" property of "mpc" object is empty. Assuming default  
-->The "Weights.OutputVariables" property of "mpc" object is empty. Assuming default 1
```

Assume that you have two hard constraints.

$$\begin{aligned}u_1 + u_2 &\leq 5 \\ y_1 + y_2 &\leq 10\end{aligned}$$

Specify the constraint matrices.

```
E = [1 1; 0 0];  
F = [0 0; 1 1];  
G = [5;10];
```

Specify the constraints as hard by setting V to zero for both constraints.

```
V = [0;0];
```

Set the constraints in the MPC controller.

```
setconstraint(MPCobj,E,F,G,V)
```

Specify Custom Constraints for MPC Controller with Measured Disturbances

Create a third-order plant model with two manipulated variables, two measured disturbances, and two measured outputs.

```

plant = rss(3,2,4);
plant.D = 0;
plant = setmpcsignals(plant, 'mv', [1 2], 'md', [3 4]);

```

Create an MPC controller for this plant.

```
MPCobj = mpc(plant,0.1);
```

```

-->The "PredictionHorizon" property of "mpc" object is empty. Trying PredictionHorizon
-->The "ControlHorizon" property of the "mpc" object is empty. Assuming 2.
-->The "Weights.ManipulatedVariables" property of "mpc" object is empty. Assuming default
-->The "Weights.ManipulatedVariablesRate" property of "mpc" object is empty. Assuming default
-->The "Weights.OutputVariables" property of "mpc" object is empty. Assuming default 1

```

Assume that you have three soft constraints.

$$\begin{aligned}
 u_1 + u_2 &\leq 5 \\
 y_1 + v_1 &\leq 10 \\
 y_2 + v_2 &\leq 12
 \end{aligned}$$

Specify the constraint matrices.

```

E = [1 1; 0 0; 0 0];
F = [0 0; 1 0; 0 1];
G = [5;10;12];
S = [0 0; 1 0; 0 1];

```

Set the constraints in the MPC controller using the default value for V.

```
setconstraint(MPCobj,E,F,G,[],S)
```

Remove All Custom Constraints from MPC Controller

Define a plant model and create an MPC controller.

```

plant = rss(3,2,2);
plant.d = 0;
MPCobj = mpc(plant,0.1);

```

```

-->The "PredictionHorizon" property of "mpc" object is empty. Trying PredictionHorizon
-->The "ControlHorizon" property of the "mpc" object is empty. Assuming 2.
-->The "Weights.ManipulatedVariables" property of "mpc" object is empty. Assuming default
-->The "Weights.ManipulatedVariablesRate" property of "mpc" object is empty. Assuming default

```

-->The "Weights.OutputVariables" property of "mpc" object is empty. Assuming default 1

Define controller custom constraints.

```
E = [-1 2; 1 -2];  
F = [0 1; 0 -1];  
G = [0; 10];  
setconstraint(MPCobj,E,F,G)
```

Remove the custom constraints.

```
setconstraint(MPCobj)
```

-->Removing mixed input/output constraints.

- MPC Control with Constraints on a Combination of Input and Output Signals
- MPC Control of a Nonlinear Blending Process

Input Arguments

MPCobj – Model predictive controller

MPC controller object

Model predictive controller, specified as an MPC controller object. To create an MPC controller, use `mpc`.

E – Manipulated variable constraint constant

matrix of zeros (default) | matrix

Manipulated variable constraint constant, specified as a matrix with:

- n_c rows, where n_c is the number of constraints.
- n_u columns, where n_u is the number of manipulated variables.

F – Controlled output constraint constant

matrix of zeros (default) | matrix

Controlled output constraint constant, specified as a matrix with:

- n_c rows, where n_c is the number of constraints.

- n_y columns, where n_y is the number of controlled outputs (measured and unmeasured).

G — Custom constraint constant

column vector of zeros (default) | column vector

Custom constraint constant, specified as a column vector with n_c elements, where n_c is the number of constraints.

V — Constraint softening constant

column vector of ones (default) | column vector

Constraint softening constant representing the equal concern for the relaxation (ECR), specified as a column vector with n_c elements, where n_c is the number of constraints.

If V is not specified, a default value of 1 is applied to all constraint inequalities and all constraints are soft. This behavior is the same as the default behavior for output bounds, as described in “Standard Cost Function”.

To make the i^{th} constraint hard, specify $V(i) = 0$.

To make the i^{th} constraint soft, specify $V(i) > 0$ in keeping with the constraint violation magnitude you can tolerate. The magnitude violation depends on the numerical scale of the variables involved in the constraint.

In general, as $V(i)$ decreases, the controller hardens the constraints by decreasing the constraint violation that is allowed.

Note: If a constraint is difficult to satisfy, reducing its $V(i)$ value to make it harder may be counterproductive, and can lead to erratic control actions, instability, or failure of the QP solver that determines the control action.

S — Measured disturbance constraint constant

matrix of zeros (default) | matrix

Measured disturbance constraint constant, specified as a matrix with:

- n_c rows, where n_c is the number of constraints.
- n_v columns, where n_v is the number of measured disturbances.

More About

Tips

- The outputs, y , are being predicted using a model. If the model is imperfect, there is no guarantee that a constraint can be satisfied.
- Since the MPC controller does not optimize $u(k + p | k)$, the last constraint at time $k + p$ assumes that $u(k+p | k) = u(k+p-1 | k)$.
- When simulating an MPC controller, you can update the custom constraints at each iteration by calling `setconstraint` before calling `mpcmove`.

To deploy an MPC controller with run-time updating of custom constraints, use MATLAB Compiler™ to generate the executable code, and deploy it using the MATLAB Runtime. In this case, the controller sample time must be large, since run-time MPC regeneration is slow.

Note: Updating the custom constraint matrices at each simulation iteration is not supported in Simulink.

- “Constraints on Linear Combinations of Inputs and Outputs”
- “Run-Time Constraint Updating”

See Also

`getconstraint` | `setterminal`

Introduced in R2011a

setEstimator

Modify a model predictive controller's state estimator

Syntax

```
setEstimator(MPCObj,L,M)
setEstimator(MPCObj,'default')
setEstimator(MPCObj,'custom')
```

Description

`setEstimator(MPCObj,L,M)` sets the gain matrices used for estimation of the states of an MPC controller. See “State Estimator Equations” on page 1-44. If L is empty, it defaults to $L = A*M$, where A is the state transition matrix defined in “State Estimator Equations” on page 1-44. If M is omitted or empty, it defaults to a zero matrix, and the state estimator becomes a Luenberger observer.

`setEstimator(MPCObj,'default')` restores the gain matrices L and M to their default values. The default values are the optimal static gains calculated by the Control System Toolbox function `kalmd` for the plant, disturbance, and measurement noise models specified in `MPCObj`.

`setEstimator(MPCObj,'custom')` specifies that controller state estimation will be performed by a user-supplied procedure rather than the equations described in “State Estimator Equations” on page 1-44. This option suppresses calculation of L and M . When the controller is operating in this way, the procedure must supply the state estimate $x[n|n]$ to the controller at the beginning of each control interval.

Examples

Design State Estimator by Pole Placement

Design an estimator using pole placement, assuming the linear system $AM = L$ is solvable.

Create a plant model.

```
G = tf({1,1,1},{[1 .5 1],[1 1],[.7 .5 1]});
```

To improve the clarity of this example, call `mpcverbosity` to suppress messages related to working with an MPC controller.

```
old_status = mpcverbosity('off');
```

Create a model predictive controller for the plant. Specify the controller sample time as 0.2 seconds.

```
MPCobj = mpc(G, 0.2);
```

Obtain the default state estimator gain.

```
[~,M,A1,Cm1] = getEstimator(MPCobj);
```

Calculate the default observer poles.

```
e = eig(A1-A1*M*Cm1);  
abs(e)
```

```
ans =
```

```
0.9402  
0.9402  
0.8816  
0.8816  
0.7430  
0.9020
```

Specify faster observer poles.

```
new_poles = [.8 .75 .7 .85 .6 .81];
```

Compute a state-gain matrix that places the observer poles at `new_poles`.

```
L = place(A1',Cm1',new_poles)';
```

`place` returns the controller-gain matrix, whereas you want to compute the observer-gain matrix. Using the principle of duality, which relates controllability to observability, you specify the transpose of `A1` and `Cm1` as the inputs to `place`. This function call yields the observer gain transpose.

Obtain the estimator gain from the state-gain matrix.

```
M = A1\L;
```

Specify M as the estimator for MPCobj.

```
setEstimator(MPCobj,L,M)
```

The pair, (A_1, C_{m1}) , describing the overall state-space realization of the combination of plant and disturbance models must be observable for the state estimation design to succeed. Observability is checked in Model Predictive Control Toolbox software at two levels: (1) observability of the plant model is checked *at construction* of the MPC object, provided that the model of the plant is given in state-space form; (2) observability of the overall extended model is checked *at initialization* of the MPC object, after all models have been converted to discrete-time, delay-free, state-space form and combined together.

Restore `mpcverbosity`.

```
mpcverbosity(old_status);
```

Input Arguments

MPCobj — MPC controller

MPC controller object

MPC controller, specified as an MPC controller object. Use the `mpc` command to create the MPC controller.

L — Kalman gain matrix for time update

A^*M (default) | matrix

Kalman gain matrix for the time update, specified as a matrix. The dimensions of L are n_x -by- n_{ym} , where n_x is the total number of controller states, and n_{ym} is the number of measured outputs. See “State Estimator Equations” on page 1-44.

If L is empty, it defaults to $L = A^*M$, where A is the state transition matrix defined in “State Estimator Equations” on page 1-44.

M — Kalman gain matrix for measurement update

0 (default) | matrix

Kalman gain matrix for the measurement update, specified as a matrix. The dimensions of L are n_x -by- n_{ym} , where n_x is the total number of controller states, and n_{ym} is the number of measured outputs. See “State Estimator Equations” on page 1-44.

If M is omitted or empty, it defaults to a zero matrix, and the state estimator becomes a Luenberger observer.

More About

State Estimator Equations

The following equations describe the state estimation. For more details, see “Controller State Estimation”.

Output estimate: $y_m[n | n-1] = C_m x[n | n-1] + D_{vm} v[n]$.

Measurement update: $x[n | n] = x[n | n-1] + M (y_m[n] - y_m[n | n-1])$.

Time update: $x[n+1 | n] = A x[n | n-1] + B_u u[n] + B_v v[n] + L (y_m[n] - y_m[n | n-1])$.

Estimator state: $x[n+1 | n] = (A - L C_m) x[n | n-1] + B_u u[n] + (B_v - L D_{vm}) v[n] + L y_m[v]$.

The estimator state is based on the current measurement of $y_m[n]$ and $v[n]$ as well as the optimal control action $u[n]$ computed at the current control interval.

The variables in these equations are summarized in the following table.

Symbol	Description
x	<p>Controller state vector, length n_x. It includes (in this sequence):</p> <ul style="list-style-type: none"> Plant model state estimates. Dimension obtained by conversion of <code>MPCobj.Model.Plant</code> to discrete LTI state-space form (if necessary), followed by use of <code>absorbDelay</code> to convert any delays to additional states. Input disturbance model state estimates (if any). Use the <code>getindist</code> command to review the input disturbance model structure. Output disturbance model state estimates (if any). Use the <code>getoutdist</code> command to review the output disturbance model structure. Output measurement noise states (if any) as specified by <code>MPCobj.Model.Noise</code>. <p>The length n_x is the sum of the number of states in the above four categories.</p>

Symbol	Description
y_m	Vector of measured outputs or an estimate of their true values, length n_{ym} .
u	Vector of manipulated variables, length n_u .
v	Vector of measured input disturbances, length n_v .
$[j k]$	Denotes an estimate of a state or output at time t_j based on data available at time t_k .
$[k]$	Denotes a quantity known at time t_k , i.e., not an estimate.
A	n_x -by- n_x state transition matrix.
B_u	n_x -by- n_u matrix mapping u to x .
B_v	n_x -by- n_x matrix mapping v to x .
C_m	n_{ym} -by- n_x matrix mapping x to y_m .
D_{vm}	n_{ym} -by- n_v matrix mapping v to y_m . Note that $D_{vm} = 0$ because there can be no direct feedthrough between any manipulated variable and any measured output.
L	n_x -by- n_{ym} Kalman gain matrix for the time update. (See <code>kalmd</code> in the Control System Toolbox documentation.) Note that $L = A^*M$ minimizes the expected state estimation error for most combinations of plant and disturbance models used in MPC, but this is not true in general.
M	n_x -by- n_{ym} Kalman gain matrix for the measurement update. (See <code>kalmd</code> in the Control System Toolbox documentation.)

See Also

getEstimator | kalman | mpc | mpcstate

Introduced in R2014b

setindist

Modify unmeasured input disturbance model

Syntax

```
setindist(MPCobj, 'model', model)
setindist(MPCobj, 'integrators')
```

Description

`setindist(MPCobj, 'model', model)` sets the input disturbance model used by the model predictive controller, `MPCobj`, to a custom model.

`setindist(MPCobj, 'integrators')` sets the input disturbance model to its default value. Use this syntax if you previously set a custom input disturbance model and you want to change back to the default model. For more information on the default input disturbance model, see “MPC Modeling”.

Examples

Specify Input Disturbance Model Using Transfer Functions

Define a plant model with no direct feedthrough.

```
plant = rss(3,4,4);
plant.d = 0;
```

Set the first input signal as a manipulated variable and the remaining inputs as input disturbances.

```
plant = setmpcsignals(plant, 'MV', 1, 'UD', [2 3 4]);
```

Create an MPC controller for the defined plant.

```
MPCobj = mpc(plant, 0.1);
```

```
-->The "PredictionHorizon" property of "mpc" object is empty. Trying PredictionHorizon
```

```
-->The "ControlHorizon" property of the "mpc" object is empty. Assuming 2.
-->The "Weights.ManipulatedVariables" property of "mpc" object is empty. Assuming default.
-->The "Weights.ManipulatedVariablesRate" property of "mpc" object is empty. Assuming default.
-->The "Weights.OutputVariables" property of "mpc" object is empty. Assuming default 1 for output(s) y1 and zero weight for output(s) y2 y3 y4
```

Define disturbance models such that:

- Input disturbance 1 is random white noise with a magnitude of 2.
- Input disturbance 2 is random step-like noise with a magnitude of 0.5.
- Input disturbance 3 is random ramp-like noise with a magnitude of 1.

```
mod1 = tf(2,1);
mod2 = tf(0.5,[1 0]);
mod3 = tf(1,[1 0 0]);
```

Construct the input disturbance model using the above transfer functions. Use a separate noise input for each input disturbance.

```
indist = [mod1 0 0; 0 mod2 0; 0 0 mod3];
```

Set the input disturbance model in the MPC controller.

```
setindist(MPCobj, 'model', indist)
```

View the controller input disturbance model.

```
getindist(MPCobj)
```

```
ans =
```

```
A =
      x1      x2      x3
x1      1       0       0
x2      0       1       0
x3      0      0.1       1

B =
      Noise#1  Noise#2  Noise#3
x1           0      0.05       0
x2           0       0       0.1
x3           0       0      0.005
```

```
C =
      x1  x2  x3
UD1   0   0   0
UD2   1   0   0
UD3   0   0   1

D =
      Noise#1  Noise#2  Noise#3
UD1           2         0         0
UD2           0         0         0
UD3           0         0         0
```

Sample time: 0.1 seconds
Discrete-time state-space model.

The controller converts the continuous-time transfer function model, `indist`, into a discrete-time state-space model.

Remove Input Disturbance for Particular Channel

Define a plant model with no direct feedthrough.

```
plant = rss(3,4,4);
plant.d = 0;
```

Set the first input signal as a manipulated variable and the remaining inputs as input disturbances.

```
plant = setmpcsignals(plant, 'MV', 1, 'UD', [2 3 4]);
```

Create an MPC controller for the defined plant.

```
MPCobj = mpc(plant, 0.1);
```

```
-->The "PredictionHorizon" property of "mpc" object is empty. Trying PredictionHorizon
-->The "ControlHorizon" property of the "mpc" object is empty. Assuming 2.
-->The "Weights.ManipulatedVariables" property of "mpc" object is empty. Assuming default
-->The "Weights.ManipulatedVariablesRate" property of "mpc" object is empty. Assuming default
-->The "Weights.OutputVariables" property of "mpc" object is empty. Assuming default 1
    for output(s) y1 and zero weight for output(s) y2 y3 y4
```

Retrieve the default input disturbance model from the controller.

```
distMod = getindist(MPCobj);
```



```

-->Converting model to discrete time.
-->The "Model.Disturbance" property of "mpc" object is empty:
    Assuming unmeasured input disturbance #2 is integrated white noise.
    Assuming unmeasured input disturbance #3 is integrated white noise.
    Assuming unmeasured input disturbance #4 is integrated white noise.
-->Assuming output disturbance added to measured output channel #1 is integrated white
    Assuming no disturbance added to measured output channel #2.
    Assuming no disturbance added to measured output channel #3.
    Assuming no disturbance added to measured output channel #4.
-->The "Model.Noise" property of the "mpc" object is empty. Assuming white noise on each

```

Remove the integrator from the second input disturbance. Construct the new input disturbance model by removing the second input channel and setting the effect on the second output by the other two inputs to zero.

```

distMod = sminreal([distMod(1,1) distMod(1,3); 0 0; distMod(3,1) distMod(3,3)]);
setindist(MPCobj, 'model', distMod)

```

When removing an integrator from the input disturbance model in this way, use `sminreal` to make the custom model structurally minimal.

View the input disturbance model.

```

tf(getindist(MPCobj))

```

```

ans =

```

```

    From input "UD1-wn" to output...

```

```

         0.1
    UD1:  ----
         z - 1

```

```

    UD2:  0

```

```

    UD3:  0

```

```

    From input "UD3-wn" to output...

```

```

    UD1:  0

```

```

    UD2:  0

```

```

         0.1
    UD3:  ----
         z - 1

```

```
Sample time: 0.1 seconds
Discrete-time transfer function.
```

The integrator has been removed from the second channel. The first and third channels of the input disturbance model remain at their default values as discrete-time integrators.

Set Input Disturbance Model to Default Value

Define a plant model with no direct feedthrough.

```
plant = rss(2,2,3);
plant.d = 0;
```

Set the second and third input signals as input disturbances.

```
plant = setmpcsignals(plant, 'MV', 1, 'UD', [2 3]);
```

Create an MPC controller for the defined plant.

```
MPCobj = mpc(plant, 0.1);
```

```
-->The "PredictionHorizon" property of "mpc" object is empty. Trying PredictionHorizon
-->The "ControlHorizon" property of the "mpc" object is empty. Assuming 2.
-->The "Weights.ManipulatedVariables" property of "mpc" object is empty. Assuming default
-->The "Weights.ManipulatedVariablesRate" property of "mpc" object is empty. Assuming default
-->The "Weights.OutputVariables" property of "mpc" object is empty. Assuming default 1
    for output(s) y1 and zero weight for output(s) y2
```

Set the input disturbance model to unity gain for both channels.

```
setindist(MPCobj, 'model', tf(eye(2)))
```

Restore the default input disturbance model.

```
setindist(MPCobj, 'integrators')
```

Input Arguments

MPCobj — Model predictive controller

MPC controller object

Model predictive controller, specified as an MPC controller object. To create an MPC controller, use `mpc`.

model — Custom input disturbance model

[] (default) | ss object | tf object | zpk object

Custom input disturbance model, specified as a state-space (**ss**), transfer function (**tf**), or zero-pole-gain (**zpk**) model. The MPC controller converts the model to a discrete-time, delay-free, state-space model. Omitting `model` or specifying `model` as [] is equivalent to using `setindist(MPCobj, 'integrators')`.

The input disturbance model has:

- Unit-variance white noise input signals. For custom input disturbance models, the number of inputs is your choice.
- n_d outputs, where n_d is the number of unmeasured disturbance inputs defined in `MPCobj.Model.Plant`. Each disturbance model output is sent to the corresponding plant unmeasured disturbance input.

This model, in combination with the output disturbance model (if any), governs how well the controller compensates for unmeasured disturbances and prediction errors. For more information on the disturbance modeling in MPC and about the model used during state estimation, see “MPC Modeling” and “Controller State Estimation”.

`setindist` does not check custom input disturbance models for violations of state observability. This check is performed later in the MPC design process when the internal state estimator is constructed using commands such as `sim` or `mpcmove`. If the controller states are not fully observable, these commands generate an error.

This syntax is equivalent to `MPCobj.Model.Disturbance = model`.

More About

Tips

- To view the current input disturbance model, use the `getindist` command.
- “MPC Modeling”
- “Controller State Estimation”
- “Adjusting Disturbance and Noise Models”

See Also

`getEstimator` | `getoutdist` | `mpc` | `setEstimator` | `setindist`

Introduced before R2006a

setmpcsignals

Set signal types in MPC plant model

Syntax

```
P = setmpcsignals(P,SignalType1,Channels1,SignalType2,Channels2,...)
```

Description

The purpose of `setmpcsignals` is to configure the input/output channels of the MPC plant model `P`. `P` must be an LTI object. Valid signal types, their abbreviations, and the channel type they refer to are listed below.

Signal Type	Abbreviation	Channel
Manipulated	MV	Input
MeasuredDisturbances	MD	Input
UnmeasuredDisturbances	UD	Input
MeasuredOutputs	MO	Output
UnmeasuredOutputs	UO	Output

Unambiguous abbreviations of signal types are also accepted.

Note When using `setmpcsignals` to modify an existing MPC object, be sure that the fields `Weights`, `MV`, `OV`, `DV`, `Model.Noise`, and `Model.Disturbance` are consistent with the new I/O signal types.

`P=setmpcsignals(P)` sets channel assignments to default, namely all inputs are manipulated variables (MVs), all outputs are measured outputs (MOs). More generally, input signals that are not explicitly assigned are assumed to be MVs, while unassigned output signals are considered as MOs.

Examples

Set MPC Signal Types and Create MPC Controller

Create a four-input, two output state-space plant model. By default all input signals are manipulated variables and all outputs are measured outputs.

```
plant = rss(3,2,4);  
plant.d = 0;
```

Configure the plant input/output channels such that:

- The second and third inputs are measured disturbances.
- The fourth input is an unmeasured disturbance.
- The second output is unmeasured.

```
plant = setmpcsignals(plant, 'MD', [2 3], 'UD', 4, 'UO', 2);
```

```
-->Assuming unspecified input signals are manipulated variables.  
-->Assuming unspecified output signals are measured outputs.
```

Create an MPC controller.

```
MPCobj = mpc(plant,1);
```

```
-->The "PredictionHorizon" property of "mpc" object is empty. Trying PredictionHorizon  
-->The "ControlHorizon" property of the "mpc" object is empty. Assuming 2.  
-->The "Weights.ManipulatedVariables" property of "mpc" object is empty. Assuming defau  
-->The "Weights.ManipulatedVariablesRate" property of "mpc" object is empty. Assuming o  
-->The "Weights.OutputVariables" property of "mpc" object is empty. Assuming default 1  
    for output(s) y1 and zero weight for output(s) y2
```

More About

- “MPC Modeling”

See Also

[mpc](#) | [set](#)

Introduced before R2006a

setname

Set I/O signal names in MPC prediction model

Syntax

```
setname(MPCObj, 'input', I, name)  
setname(MPCObj, 'output', I, name)
```

Description

`setname(MPCObj, 'input', I, name)` changes the name of the Ith input signal to `name`. This is equivalent to `MPCObj.Model.Plant.InputName{I}=name`. Note that `setname` also updates the read-only `Name` fields of `MPCObj.DisturbanceVariables` and `MPCObj.ManipulatedVariables`.

`setname(MPCObj, 'output', I, name)` changes the name of the Ith output signal to `name`. This is equivalent to `MPCObj.Model.Plant.OutputName{I} =name`. Note that `setname` also updates the read-only `Name` field of `MPCObj.OutputVariables`.

Note The `Name` properties of `ManipulatedVariables`, `OutputVariables`, and `DisturbanceVariables` are read-only. You must use `setname` to assign signal names, or equivalently modify the `Model.Plant.InputName` and `Model.Plant.OutputName` properties of the MPC object.

See Also

`getname` | `mpc` | `set`

Introduced before R2006a

setoutdist

Modify unmeasured output disturbance model

Syntax

```
setoutdist(MPCobj, 'model', model)
setoutdist(MPCobj, 'integrators')
```

Description

`setoutdist(MPCobj, 'model', model)` sets the output disturbance model used by the model predictive controller, `MPCobj`, to a custom model.

`setoutdist(MPCobj, 'integrators')` sets the output disturbance model to its default value. Use this syntax if you previously set a custom output disturbance model and you want to change back to the default model. For more information on the default output disturbance model, see “MPC Modeling”.

Examples

Specify Output Disturbance Model Using Transfer Functions

Define a plant model with no direct feedthrough, and create an MPC controller for that plant.

```
plant = rss(3,3,3);
plant.d = 0;
MPCobj = mpc(plant,0.1);
```

```
-->The "PredictionHorizon" property of "mpc" object is empty. Trying PredictionHorizon
-->The "ControlHorizon" property of the "mpc" object is empty. Assuming 2.
-->The "Weights.ManipulatedVariables" property of "mpc" object is empty. Assuming defau
-->The "Weights.ManipulatedVariablesRate" property of "mpc" object is empty. Assuming o
-->The "Weights.OutputVariables" property of "mpc" object is empty. Assuming default 1
```

Define disturbance models for each output such that the output disturbance for:

- Channel 1 is random white noise with a magnitude of 2.
- Channel 2 is random step-like noise with a magnitude of 0.5.
- Channel 3 is random ramp-like noise with a magnitude of 1.

```
mod1 = tf(2,1);
mod2 = tf(0.5,[1 0]);
mod3 = tf(1,[1 0 0]);
```

Construct the output disturbance model using these transfer functions. Use a separate noise input for each output disturbance.

```
outdist = [mod1 0 0; 0 mod2 0; 0 0 mod3];
```

Set the output disturbance model in the MPC controller.

```
setoutdist(MPCobj, 'model', outdist)
```

View the controller output disturbance model.

```
getoutdist(MPCobj)
```

```
ans =
```

```
A =
      x1      x2      x3
x1      1      0      0
x2      0      1      0
x3      0      0.1    1

B =
      Noise#1  Noise#2  Noise#3
x1           0      0.05      0
x2           0           0      0.1
x3           0           0      0.005

C =
      x1      x2      x3
M01     0      0      0
M02     1      0      0
M03     0      0      1

D =
      Noise#1  Noise#2  Noise#3
```

```
MO1      2      0      0
MO2      0      0      0
MO3      0      0      0
```

```
Sample time: 0.1 seconds
Discrete-time state-space model.
```

The controller converts the continuous-time transfer function model, `outdist`, into a discrete-time state-space model.

Remove Output Disturbance from Particular Output Channel

Define a plant model with no direct feedthrough, and create an MPC controller for that plant.

```
plant = rss(3,3,3);
plant.d = 0;
MPCobj = mpc(plant,0.1);
```

```
-->The "PredictionHorizon" property of "mpc" object is empty. Trying PredictionHorizon
-->The "ControlHorizon" property of the "mpc" object is empty. Assuming 2.
-->The "Weights.ManipulatedVariables" property of "mpc" object is empty. Assuming default
-->The "Weights.ManipulatedVariablesRate" property of "mpc" object is empty. Assuming default
-->The "Weights.OutputVariables" property of "mpc" object is empty. Assuming default 1
```

Retrieve the default output disturbance model from the controller.

```
distMod = getoutdist(MPCobj);
```

```
-->Converting model to discrete time.
-->Assuming output disturbance added to measured output channel #1 is integrated white
-->Assuming output disturbance added to measured output channel #2 is integrated white
-->Assuming output disturbance added to measured output channel #3 is integrated white
-->The "Model.Noise" property of the "mpc" object is empty. Assuming white noise on each
```

Remove the integrator from the second output channel. Construct the new output disturbance model by removing the second input channel and setting the effect on the second output by the other two inputs to zero.

```
distMod = sminreal([distMod(1,1) distMod(1,3); 0 0; distMod(3,1) distMod(3,3)]);
setoutdist(MPCobj, 'model', distMod)
```

When removing an integrator from the output disturbance model in this way, use `sminreal` to make the custom model structurally minimal.

View the output disturbance model.

```
tf(getoutdist(MPCobj))
```

```
ans =
```

```
From input "Noise#1" to output...
```

```
      0.1
M01:  ----
      z - 1
```

```
M02:  0
```

```
M03:  0
```

```
From input "Noise#2" to output...
```

```
M01:  0
```

```
M02:  0
```

```
      0.1
M03:  ----
      z - 1
```

```
Sample time: 0.1 seconds
```

```
Discrete-time transfer function.
```

The integrator has been removed from the second channel. The disturbance models for channels 1 and 3 remain at their default values as discrete-time integrators.

Remove Output Disturbances from All Output Channels

Define a plant model with no direct feedthrough and create an MPC controller for that plant.

```
plant = rss(3,3,3);
plant.d = 0;
MPCobj = mpc(plant,1);
```

```
-->The "PredictionHorizon" property of "mpc" object is empty. Trying PredictionHorizon
-->The "ControlHorizon" property of the "mpc" object is empty. Assuming 2.
-->The "Weights.ManipulatedVariables" property of "mpc" object is empty. Assuming defau
-->The "Weights.ManipulatedVariablesRate" property of "mpc" object is empty. Assuming d
```

-->The "Weights.OutputVariables" property of "mpc" object is empty. Assuming default 1

Set the output disturbance model to zero for all three output channels.

```
setoutdist(MPCobj, 'model',tf(zeros(3,1)))
```

View the output disturbance model.

```
getoutdist(MPCobj)
```

```
ans =
```

```
D =  
      Noise#1  
MO1      0  
MO2      0  
MO3      0
```

Static gain.

A static gain of 0 for all output channels indicates that the output disturbances were removed.

Set Output Disturbance Model to Default Value

Define a plant model with no direct feedthrough and create an MPC controller for that plant.

```
plant = rss(2,2,2);  
plant.d = 0;  
MPCobj = mpc(plant,0.1);
```

-->The "PredictionHorizon" property of "mpc" object is empty. Trying PredictionHorizon

-->The "ControlHorizon" property of the "mpc" object is empty. Assuming 2.

-->The "Weights.ManipulatedVariables" property of "mpc" object is empty. Assuming defau

-->The "Weights.ManipulatedVariablesRate" property of "mpc" object is empty. Assuming 0

-->The "Weights.OutputVariables" property of "mpc" object is empty. Assuming default 1

Remove the output disturbances for all channels.

```
setoutdist(MPCobj, 'model',tf(zeros(2,1)))
```

Restore the default output disturbance model.

```
setoutdist(MPCobj, 'integrators')
```

Input Arguments

MPCobj — Model predictive controller

MPC controller object

Model predictive controller, specified as an MPC controller object. To create an MPC controller, use `mpc`.

model — Custom output disturbance model

[] (default) | ss object | tf object | zpk object

Custom output disturbance model, specified as a state-space (ss), transfer function (tf), or zero-pole-gain (zpk) model. The MPC controller converts the model to a discrete-time, delay-free, state-space model. Omitting `model` or specifying `model` as [] is equivalent to using `setoutdist(MPCobj, 'integrators')`.

The output disturbance model has:

- Unit-variance white noise input signals. For custom output disturbance models, the number of inputs is your choice.
- n_y outputs, where n_y is the number of plant outputs defined in `MPCobj.Model.Plant`. Each disturbance model output is added to the corresponding plant output.

This model, along with the input disturbance model (if any), governs how well the controller compensates for unmeasured disturbances and modeling errors. For more information on the disturbance modeling in MPC and about the model used during state estimation, see “MPC Modeling” and “Controller State Estimation”.

`setoutdist` does not check custom output disturbance models for violations of state observability. This check is performed later in the MPC design process when the internal state estimator is constructed using commands such as `sim` or `mpcmove`. If the controller states are not fully observable, these commands will generate an error.

More About

Tips

- To view the current output disturbance model, use the `getoutdist` command.
- “MPC Modeling”
- “Controller State Estimation”
- “Adjusting Disturbance and Noise Models”

See Also

`getEstimator` | `getoutdist` | `mpc` | `setEstimator` | `setindist`

Introduced in R2006a

setterminal

Terminal weights and constraints

Syntax

```
setterminal(MPCobj, Y, U)
setterminal(MPCobj, Y, U, Pt)
```

Description

`setterminal(MPCobj, Y, U)` specifies diagonal quadratic penalty weights and constraints at the last step in the prediction horizon. The weights and constraints are on the terminal output $y(t+p)$ and terminal input $u(t+p-1)$, where p is the prediction horizon of the MPC controller `MPCobj`.

`setterminal(MPCobj, Y, U, Pt)` specifies diagonal quadratic penalty weights and constraints from step Pt to the horizon end. By default, Pt is the last step in the horizon.

Input Arguments

MPCobj

MPC controller, specified as an MPC controller object

Default:

Y

Terminal weights and constraints for the output variables, specified as a structure with the following fields:

Weight	1-by- n_y vector of nonnegative weights
Min	1-by- n_y vector of lower bounds
Max	1-by- n_y vector of upper bounds

MinECR	1-by- n_y vector of constraint-softening Equal Concern for the Relaxation (ECR) values for the lower bounds
MaxECR	1-by- n_y vector of constraint-softening ECR values for the upper bounds

n_y is the number of controlled outputs of the MPC controller.

If the **Weight**, **Min** or **Max** field is empty, the values in **MPCObj** are used at all prediction horizon steps including the last. For the standard bounds, if any element of the **Min** or **Max** field is infinite, the corresponding variable is unconstrained at the terminal step.

Off-diagonal weights are zero (as described in “Standard Cost Function”). To apply nonzero off-diagonal terminal weights, you must augment the plant model. See *Implementing Infinite-Horizon LQR by Setting Terminal Weights in a Finite-Horizon MPC Formulation*.

By default, $Y.MinECR = Y.MaxECR = 1$ (soft output constraints).

Choose the ECR magnitudes carefully, accounting for the importance of each constraint and the numerical magnitude of a typical violation.

Default:

U

Terminal weights and constraints for the manipulated variables, specified as a structure with the following fields:

Weight	1-by- n_u vector of nonnegative weights
Min	1-by- n_u vector of lower bounds
Max	1-by- n_u vector of upper bounds
MinECR	1-by- n_u vector of constraint-softening Equal Concern for the Relaxation (ECR) values for the lower bounds
MaxECR	1-by- n_u vector of constraint-softening ECR values for the upper bounds

n_u is the number of manipulated variables of the MPC controller.

If the **Weight**, **Min** or **Max** field is empty, the values in **MPCObj** are used at all prediction horizon steps including the last. For the standard bounds, if individual elements of

the Min or Max fields are infinite, the corresponding variable is unconstrained at the terminal step.

Off-diagonal weights are zero (as described in “Standard Cost Function”). To apply nonzero off-diagonal terminal weights, you must augment the plant model. See [Implementing Infinite-Horizon LQR by Setting Terminal Weights in a Finite-Horizon MPC Formulation](#).

By default, $U.MinECR = U.MaxECR = 0$ (hard manipulated variable constraints)

Choose the ECR magnitudes carefully, accounting for the importance of each constraint and the numerical magnitude of a typical violation.

Default:

Pt

Step in the prediction horizon, specified as an integer between 1 and p , where p is the prediction horizon. The terminal values are applied to Y and U from prediction step Pt to the end.

Default: Prediction horizon p

Examples

Specify Constraints and Penalty Weights at Last Prediction Horizon Step

Create an MPC controller for a plant with three output variables and two manipulated variables.

```
plant = rss(3,3,2);
plant.d = 0;
MPCobj = mpc(plant,0.1);
```

```
-->The "PredictionHorizon" property of "mpc" object is empty. Trying PredictionHorizon
-->The "ControlHorizon" property of the "mpc" object is empty. Assuming 2.
-->The "Weights.ManipulatedVariables" property of "mpc" object is empty. Assuming default
-->The "Weights.ManipulatedVariablesRate" property of "mpc" object is empty. Assuming default
-->The "Weights.OutputVariables" property of "mpc" object is empty. Assuming default 1
    for output(s) y1 y2 and zero weight for output(s) y3
```

Specify a prediction horizon of 8.

```
MPCobj.PredictionHorizon = 8;
```

Define the following penalty weights and constraints:

- Diagonal penalty weights of 1 and 10 on the first two output variables
- Lower bounds of 0 and -1 on the first and third outputs respectively
- Upper bound of 2 on the second output
- Lower bound of 1 on the first manipulated variable

```
Y = struct('Weight',[1,10,0], 'Min',[0,-Inf,-1], 'Max',[Inf,2,Inf]);  
U = struct('Min',[1,-Inf]);
```

Specify the constraints and penalty weights at the last step of the prediction horizon.

```
setterminal(MPCobj,Y,U)
```

Specify Terminal Constraints For Final Prediction Horizon Range

Create an MPC controller for a plant with three output variables and two manipulated variables.

```
plant = rss(3,3,2);  
plant.d = 0;  
MPCobj = mpc(plant,0.1);
```

```
-->The "PredictionHorizon" property of "mpc" object is empty. Trying PredictionHorizon  
-->The "ControlHorizon" property of the "mpc" object is empty. Assuming 2.  
-->The "Weights.ManipulatedVariables" property of "mpc" object is empty. Assuming default  
-->The "Weights.ManipulatedVariablesRate" property of "mpc" object is empty. Assuming default  
-->The "Weights.OutputVariables" property of "mpc" object is empty. Assuming default 1  
    for output(s) y1 y2 and zero weight for output(s) y3
```

Specify a prediction horizon of 10.

```
MPCobj.PredictionHorizon = 10;
```

Define the following terminal constraints:

- Lower bounds of 0 and -1 on the first and third outputs respectively
- Upper bound of 2 on the second output
- Lower bound of 1 on the first manipulated variable

```
Y = struct('Min',[0,-Inf,-1], 'Max',[Inf,2,Inf]);
```

```
U = struct('Min',[1,-Inf]);
```

Specify the constraints beginning at step 5 and ending at the last step of the prediction horizon.

```
setterminal(MPCobj,Y,U,5)
```

- “Providing LQR Performance Using Terminal Penalty”
- Implementing Infinite-Horizon LQR by Setting Terminal Weights in a Finite-Horizon MPC Formulation

More About

Tips

- Advanced users can impose terminal polyhedral state constraints:

$$K_1 \leq Hx \leq K_2.$$

First, augment the plant model with additional artificial (unmeasured) outputs, $y = Hx$. Then specify bounds K_1 and K_2 on these y outputs.

- “Terminal Weights and Constraints”

See Also

`mpc` | `mpcprops` | `setconstraint`

Introduced in R2011a

sim

Simulate closed-loop/open-loop response to arbitrary reference and disturbance signals for implicit or explicit MPC

Syntax

```
sim(MPCobj,T,r)
sim(MPCobj,T,r,v)
sim( ____,SimOptions)
[y,t,u,xp,xmpc,SimOptions] = sim( ____ )
```

Description

Use `sim` to simulate the implicit (traditional) or explicit MPC controller in closed loop with a linear time-invariant model, which, by default, is the plant model contained in `MPCobj.Model.Plant`. As an alternative, `sim` can simulate the open-loop behavior of the model of the plant, or the closed-loop behavior in the presence of a model mismatch, when the controller's prediction model differs from the actual plant model.

`sim(MPCobj,T,r)` simulates the closed-loop system formed by the plant model specified in `MPCobj.Model.Plant` and by the MPC controller specified by the MPC controller `MPCobj`, in response to the specified reference signal, `r`. The MPC controller can be either a traditional MPC controller (`mpc`) or explicit MPC controller (`explicitMPC`). The simulation runs for the specified number of simulation steps, `T`. `sim` plots the simulation results.

`sim(MPCobj,T,r,v)` also specifies the measured disturbance signal `v`.

`sim(____,SimOptions)` specifies additional simulation options, which you create with `mpcsimopt`. This syntax allows you to alter the default simulation options, such as initial states, input/output noise and unmeasured disturbances, plant mismatch, etc. You can use `SimOptions` with any of the previous input combinations.

`[y,t,u,xp,xmpc,SimOptions] = sim(____)` suppresses plotting and instead returns the sequence of plant outputs `y`, the time sequence `t` (equally spaced by `MPCobj.Ts`), the manipulated variables `u` generated by the MPC controller, the sequence `xp` of states

of the model of the plant used for simulation, the sequence `xmpc` of states of the MPC controller (provided by the state observer), and the simulation options, `SimOptions`. You can use this syntax with any of the allowed input argument combinations.

Input Arguments

MPCobj

MPC controller containing the parameters of the Model Predictive Control law to simulate, specified as either an implicit MPC controller (`mpc`) or an explicit MPC controller (`generateExplicitMPC`).

T

Number of simulation steps, specified as a positive integer.

If you omit `T`, the default value is the row size of whichever of the following arrays has the largest row size:

- The input argument `r`
- The input argument `v`
- The `UnmeasuredDisturbance` property of `SimOptions`, if specified
- The `OutputNoise` property of `SimOptions`, if specified

Default: The largest row size of `r`, `v`, `UnmeasuredDisturbance`, and `OutputNoise`

r

Reference signal, specified as an array. This array has `ny` columns, where `ny` is the number of plant outputs. `r` can have anywhere from 1 to `T` rows. If the number of rows is less than `T`, the missing rows are set equal to the last row.

Default: `MPCobj.Model.Nominal.Y`

v

Measured disturbance signal, specified as an array. This array has `nv` columns, where `nv` is the number of measured input disturbances. `v` can have anywhere from 1 to `T` rows. If the number of rows is less than `T`, the missing rows are set equal to the last row.

Default: Corresponding entries from `MPCObj.Model.Nominal.U`

SimOptions

Simulation options, specified as an options object you create using `mpcsimopt`.

Default: `[]`

Output Arguments

y

Sequence of controlled plant outputs, returned as a T-by-Ny array, where T is the number of simulation steps and Ny is the number of plant outputs. The values in `y` do not include additive measurement noise, if any).

t

Time sequence, returned as a T-by-1 array, where T is the number of simulation steps. The values in `t` are equally spaced by `MPCObj.Ts`.

u

Sequence of manipulated variables generated by the MPC controller, returned as a T-by-Nu array, where T is the number of simulation steps and Nu is the number of manipulated variables.

xp

Sequence of plant model states, T-by-Nxp array, where T is the number of simulation steps and Nxp is the number of states in the plant model. The plant model is either `MPCObj.Model` or `SimOptions.Model`, if the latter is specified.

xmpc

Sequence of MPC controller state estimates, returned as a T-by-1 structure array. Each entry in the structure array has the same fields as an `mpcstate` object. The state estimates include plant, disturbance, and noise model states at each time step.

SimOptions

Simulation options used, returned as a `mpcsimopt` object.

Examples

Simulate MPC Control of MISO Plant

Simulate the MPC control of a MISO system. The system has one manipulated variable, one measured disturbance, one unmeasured disturbance, and one output.

Create the continuous-time plant model. This plant will be used as the prediction model for the MPC controller.

```
sys = ss(tf({1,1,1},{[1 .5 1],[1 1],[.7 .5 1]}));
```

Discretize the plant model using a sampling time of 0.2 units.

```
Ts = 0.2;
sysd = c2d(sys,Ts);
```

Specify the MPC signal type for the plant input signals.

```
sysd = setmpcsignals(sysd, 'MV',1, 'MD',2, 'UD',3);
```

Create an MPC controller for the `sysd` plant model. Use default values for the weights and horizons.

```
MPCobj = mpc(sysd);
```

```
-->The "PredictionHorizon" property of "mpc" object is empty. Trying PredictionHorizon
-->The "ControlHorizon" property of the "mpc" object is empty. Assuming 2.
-->The "Weights.ManipulatedVariables" property of "mpc" object is empty. Assuming default
-->The "Weights.ManipulatedVariablesRate" property of "mpc" object is empty. Assuming default
-->The "Weights.OutputVariables" property of "mpc" object is empty. Assuming default 1
```

Constrain the manipulated variable to the `[0 1]` range.

```
MPCobj.MV = struct('Min',0, 'Max',1);
```

Specify the simulation stop time.

```
Tstop = 30;
```

Define the reference signal and the measured disturbance signal.

```
num_sim_steps = round(Tstop/Ts);
```

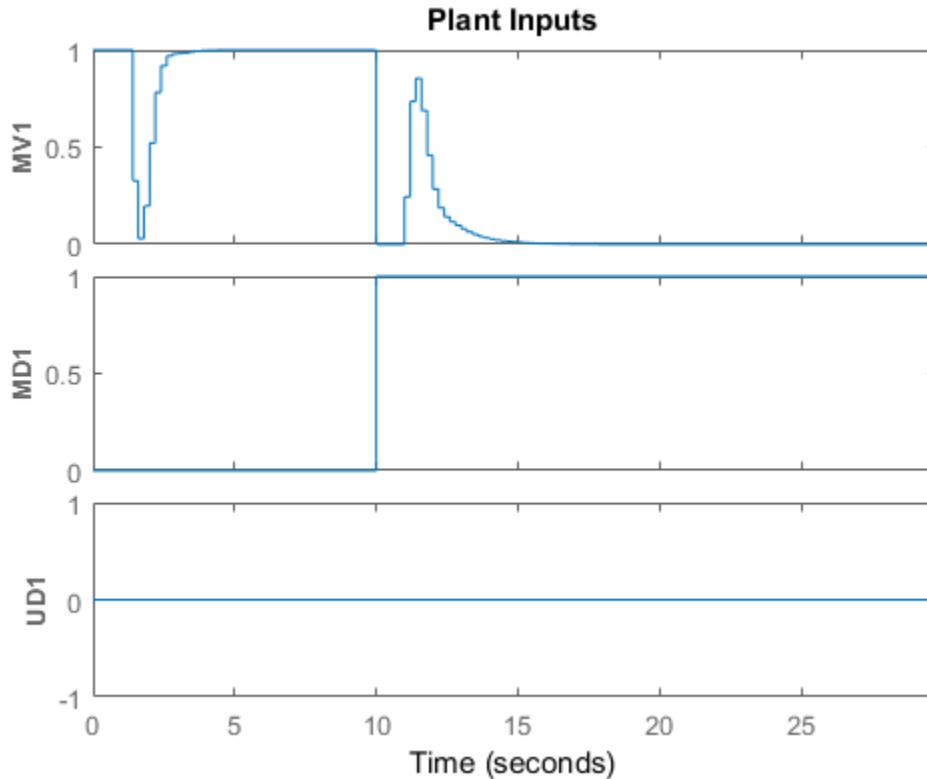
```
r = ones(num_sim_steps,1);
v = [zeros(num_sim_steps/3,1); ones(2*num_sim_steps/3,1)];
```

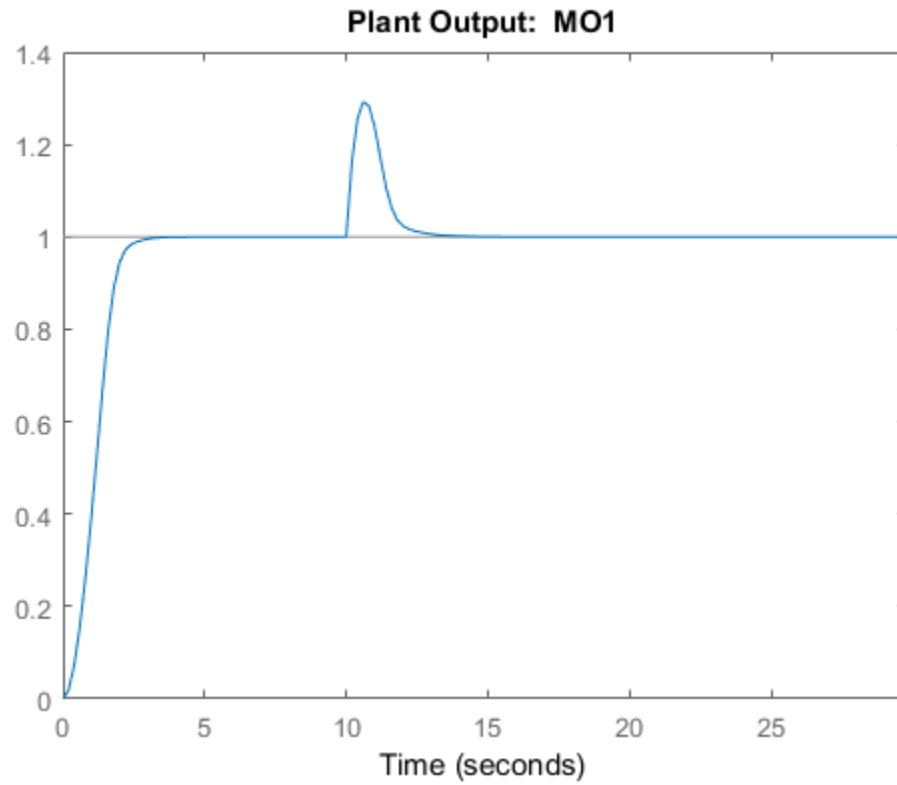
The reference signal, r , is a unit step. The measured disturbance signal, v , is a unit step, with a 10 unit delay.

Simulate the controller.

```
sim(MPCobj,num_sim_steps,r,v)
```

```
-->The "Model.Disturbance" property of "mpc" object is empty:
    Assuming unmeasured input disturbance #3 is integrated white noise.
    Assuming no disturbance added to measured output channel #1.
-->The "Model.Noise" property of the "mpc" object is empty. Assuming white noise on each
```





See Also

[mpcsimopt](#) | [mpc](#) | [mpcmove](#)

Introduced before R2006a

simplify

Reduce explicit MPC controller complexity and memory requirements

Syntax

```
EMPCreduced = simplify(EMPCobj, 'exact')  
EMPCreduced = simplify(EMPCobj, 'exact', uniteeps)  
EMPCreduced = simplify(EMPCobj, 'radius', r)  
EMPCreduced = simplify(EMPCobj, 'sequence', index)  
simplify(EMPCobj, ___)
```

Description

`EMPCreduced = simplify(EMPCobj, 'exact')` attempts to reduce the number of piecewise affine (PWA) regions in an explicit MPC controller by merging regions that have identical controller gains and whose union is a convex set. Reducing the number of PWA regions reduces memory requirements of the controller. This command returns a reduced controller, `EMPCreduced`.

`EMPCreduced = simplify(EMPCobj, 'exact', uniteeps)` specifies the tolerance for identifying regions that can be merged.

`EMPCreduced = simplify(EMPCobj, 'radius', r)` retains only regions whose Chebyshev radius (the radius of the largest ball contained in the region) is larger than `r`.

`EMPCreduced = simplify(EMPCobj, 'sequence', index)` eliminates all regions except those specified in an index vector.

`simplify(EMPCobj, ___)` applies the reduction to the explicit MPC controller `EMPCobj`, rather than returning a new controller object. You can use this syntax with any of the previous reduction options.

Input Arguments

EMPCobj — **Explicit MPC controller**
explicit MPC controller object

Explicit MPC controller to reduce, specified as an Explicit MPC controller object. Use `generateExplicitMPC` to create an explicit MPC controller.

uniteeps — Tolerance for joining regions

0.001 (default) | positive scalar

Tolerance for joining PWA regions, specified as a positive scalar.

r — Minimum Chebyshev radius

0 (default) | nonnegative scalar

Minimum Chebyshev radius for retaining PWA regions, specified as a nonnegative scalar. When you use the `'radius'` option, `simplify` keeps only the regions whose Chebyshev radius is larger than `r`. The default value is 0, which causes all regions to be retained.

index — Indices of PWA regions to retain

1:nr (default) | vector

Indices of PWA regions to retain, specified as a vector. The default value is `[1:nr]`, where `nr` is the number of PWA regions in `EMPCobj`. Thus, by default, all regions are retained. You can obtain a sequence of regions to retain by performing simulations using `EMPCobj` and recording the indices of regions actually encountered.

Output Arguments

EMPCreduced — Reduced MPC controller

explicit MPC controller object

Reduced MPC controller, returned as an Explicit MPC controller object.

See Also

`generateExplicitMPC`

Introduced in R2014b

size

Size and order of MPC Controller

Syntax

```
mpc_obj_size = size(MPCobj)
mpc_obj_size = size(MPCobj,signal_type)
size(MPCobj)
```

Description

`mpc_obj_size = size(MPCobj)` returns a row vector specifying the number of manipulated inputs and measured controlled outputs of an MPC controller. This row vector contains the elements $[n_u \ n_{ym}]$, where n_u is the number of manipulated inputs and n_{ym} is the number of measured controlled outputs.

`mpc_obj_size = size(MPCobj,signal_type)` returns the number of signals of the specified type that are associated with the MPC controller.

You can specify `signal_type` as one of the following strings:

- 'uo' — Unmeasured controlled outputs
- 'md' — Measured disturbances
- 'ud' — Unmeasured disturbances
- 'mv' — Manipulated variables
- 'mo' — Measured controlled outputs

`size(MPCobj)` displays the size information for all the signal types of the MPC controller.

See Also

`mpc` | `set`

Introduced before R2006a

SS

Convert unconstrained MPC controller to state-space linear system

Syntax

```
sys = ss(MPCobj)
sys = ss(MPCobj,signals)
sys = ss(MPCobj,signals,ref_preview,md_preview)
[sys,ut] = ss(MPCobj)
```

Description

The **ss** command returns a linear controller in the state-space form. The controller is equivalent to the traditional (implicit) MPC controller **MPCobj** when no constraints are active. You can then use Control System Toolbox software for sensitivity analysis and other diagnostic calculations.

sys = ss(MPCobj) returns the linear discrete-time dynamic controller **sys**

$$x(k+1) = Ax(k) + By_m(k)$$

$$u(k) = Cx(k) + Dy_m(k)$$

where y_m is the vector of measured outputs of the plant, and u is the vector of manipulated variables. The sampling time of controller **sys** is **MPCobj.Ts**.

Note Vector x includes the states of the observer (plant + disturbance + noise model states) and the previous manipulated variable $u(k-1)$.

sys = ss(MPCobj,signals) returns the linearized MPC controller in its full form and allows you to specify the signals that you want to include as inputs for **sys**.

The full form of the MPC controller has the following structure:

$$x(k+1) = Ax(k) + By_m(k) + B_r r(k) + B_v v(k) + B_{ui} u_{target}(k) + B_{off}$$

$$u(k) = Cx(k) + Dy_m(k) + D_r r(k) + D_v v(k) + D_{ut} u_{target}(k) + D_{off}$$

Here, r is the vector of setpoints for both measured and unmeasured plant outputs, v is the vector of measured disturbances, u_{target} is the vector of preferred values for manipulated variables.

Specify `signals` as a single or multicharacter string constructed using any of the following:

- 'r' — Output references
- 'v' — Measured disturbances
- 'o' — Offset terms
- 't' — Input targets

For example, to obtain a controller that maps $[y_m; r; v]$ to u , use:

```
sys = ss(MPCobj, 'rv');
```

In the general case of nonzero offsets, y_m (as well as r , v , and u_{target}) must be interpreted as the difference between the vector and the corresponding offset. Offsets can be nonzero if `MPCobj.Model.Nominal.Y` or `MPCobj.Model.Nominal.U` are nonzero.

Vectors B_{off} , D_{off} are constant terms. They are nonzero if and only if `MPCobj.Model.Nominal.DX` is nonzero (continuous-time prediction models), or `MPCobj.Model.Nominal.Dx-MPCobj.Model.Nominal.X` is nonzero (discrete-time prediction models). In other words, when `Nominal.X` represents an equilibrium state, B_{off} , D_{off} are zero.

Only the following fields of `MPCobj` are used when computing the state-space model: `Model`, `PredictionHorizon`, `ControlHorizon`, `Ts`, `Weights`.

`sys = ss(MPCobj, signals, ref_preview, md_preview)` specifies if the MPC controller has preview actions on the reference and measured disturbance signals. If the flag `ref_preview='on'`, then matrices B_r and D_r multiply the whole reference sequence:

$$x(k+1) = Ax(k) + By_m(k) + B_r[r(k);r(k+1);...;r(k+p-1)] + \dots$$

$$u(k) = Cx(k) + Dy_m(k) + D_r[r(k);r(k+1);...;r(k+p-1)] + \dots$$

Similarly if the flag `md_preview='on'`, then matrices B_v and D_v multiply the whole measured disturbance sequence:

$$x(k+1) = Ax(k) + \dots + B_v[v(k);v(k+1); \dots;v(k+p)] + \dots$$

$$u(k) = Cx(k) + \dots + D_v[v(k);v(k+1); \dots;v(k+p)] + \dots$$

`[sys,ut] = ss(MPCobj)` additionally returns the input target values for the full form of the controller.

`ut` is returned as a vector of doubles, `[utarget(k); utarget(k+1); ... utarget(k+h)]`.

Here:

- h — Maximum length of previewed inputs, that is, $h = \max(\text{length}(\text{MPCobj.ManipulatedVariables}(:).\text{Target}))$
- `utarget` — Difference between the input target and corresponding input offsets, that is, `MPCobj.ManipulatedVariables(:).Targets - MPCobj.Model.Nominal.U`

Examples

Convert Unconstrained MPC Controller to State-Space Model

To improve the clarity of the example, suppress messages about working with an MPC controller.

```
old_status = mpcverbosity('off');
```

Create the plant model.

```
G = rss(5,2,3);
G.D = 0;
G = setmpcsignals(G,'mv',1,'md',2,'ud',3,'mo',1,'uo',2);
```

Configure the MPC controller with nonzero nominal values, weights, and input targets.

```
C = mpc(G,0.1);
C.Model.Nominal.U = [0.7 0.8 0];
C.Model.Nominal.Y = [0.5 0.6];
C.Model.Nominal.DX = rand(5,1);
```

```
C.Weights.MV = 2;  
C.Weights.OV = [3 4];  
C.MV.Target = [0.1 0.2 0.3];
```

`C` is an unconstrained MPC controller. Specifying `C.Model.Nominal.DX` as nonzero means that the nominal values are not at steady state. `C.MV.Target` specifies three preview steps.

Convert `C` to a state-space model.

```
sys = ss(C);
```

The output, `sys`, is a seventh-order SISO state-space model. The seven states include the five plant model states, one state from the default input disturbance model, and one state from the previous move, $u(k-1)$.

Restore `mpcverbosity`.

```
mpcverbosity(old_status);
```

See Also

`mpc` | `set` | `tf` | `zpk`

Introduced before R2006a

tf

Convert unconstrained MPC controller to linear transfer function

Syntax

```
sys=tf(MPCobj)
```

Description

The `tf` function computes the transfer function of the linear controller `ss(MPCobj)` as an LTI system in `tf` form corresponding to the MPC controller when the constraints are not active. The purpose is to use the linear equivalent control in Control System Toolbox software for sensitivity and other linear analysis.

See Also

`ss` | `zpk`

Introduced before R2006a

trim

Compute steady-state value of MPC controller state for given inputs and outputs

Syntax

```
x = trim(MPCobj,y,u)
```

Description

The `trim` function finds a steady-state value for the plant state or the best approximation in a least squares sentence such that:

$$x - x_{off} = A(x - x_{off}) + B(u - u_{off})$$

$$y - y_{off} = C(x - x_{off}) + D(u - u_{off})$$

Here, x_{off} , u_{off} , and y_{off} are the nominal values of the extended state x , input u , and output y .

x is returned as an `mpcstate` object. Specify y and u as doubles. y specifies the measured and unmeasured output values. u specifies the manipulated variable, measured disturbance, and unmeasured disturbance values. The values for unmeasured disturbances must be 0.

`trim` assumes the disturbance model and measurement noise model to be zero when computing the steady-state value. The software uses the extended state vector to perform the calculation.

See Also

`mpc` | `mpcstate`

Introduced before R2006a

zpk

Convert unconstrained MPC controller to zero/pole/gain form

Syntax

```
sys=zpk(MPCobj)
```

Description

The `zpk` function computes the zero-pole-gain form of the linear controller `ss(MPCobj)` as an LTI system in `zpk` form corresponding to the MPC controller when the constraints are not active. The purpose is to use the linear equivalent control in Control System Toolbox software for sensitivity and other linear analysis.

See Also

`ss` | `tf`

Introduced before R2006a

Block Reference

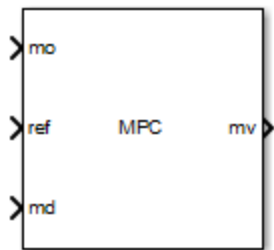
MPC Controller

Compute MPC control law

Library

MPC Simulink Library

Description

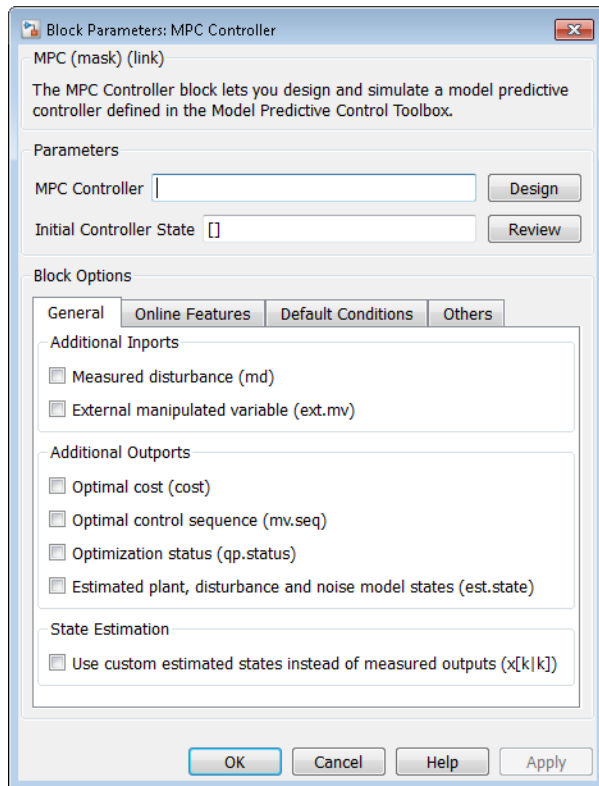


The **MPC Controller** block receives the current measured output signal (**mo**), reference signal (**ref**), and optional measured disturbance signal (**md**). The block computes the optimal manipulated variables (**mv**) by solving a quadratic program (QP).

To use the block in simulation and code generation, you must specify an **mpc** object, which defines a model predictive controller. This controller must have already been designed for the plant that it will control.

Because the **MPC Controller** block uses **MATLAB Function** blocks, it requires compilation each time you change the MPC object and block. Also, because **MATLAB** does not allow compiled code to reside in any **MATLAB** product folder, you must use a non-MATLAB folder to work on your Simulink model when you use MPC blocks.

Dialog Box



The MPC Controller block has the following parameter groupings:

- “Parameters” on page 2-4
- “Required Inports” on page 2-5
- “Required Outports” on page 2-6
- “Additional Inports (General tab)” on page 2-6
- “Additional Outports (General tab)” on page 2-8
- “State Estimation (General tab)” on page 2-10
- “Constraints (Online Features tab)” on page 2-11

- “Weights (Online Features tab)” on page 2-12
- “MV Targets (Online Features tab)” on page 2-14
- “Default Conditions tab” on page 2-14
- “Others tab” on page 2-15

Parameters

MPC controller

You must provide a traditional (implicit) `mpc` object that defines your controller using one of the following methods:

- Enter the name of an `mpc` object in the **MPC Controller** edit box. This object must be present in the MATLAB workspace.

If you want to modify the controller settings in a graphical environment, click **Design** to open the MPC Designer app. For example, you can:

- Import a new prediction model.
- Change horizons, constraints, and weights.
- Evaluate MPC performance with a linear plant.
- Export the updated controller to the MATLAB workspace.

To see how well the controller works for the nonlinear plant, run a closed-loop Simulink simulation.

- If you do not have an existing `mpc` object in the MATLAB workspace, leave the **MPC controller** field empty. With the **MPC Controller** block connected to the plant, click **Design** to open the MPC Designer app. Using the app, linearize the Simulink model at a specified operating point, and design your controller. For more information, see “Design MPC Controller in Simulink” and “Linearize Simulink Models Using MPC Designer”.

To use this design approach, you must have Simulink Control Design software.

If you specified a controller in the **MPC Controller** field, click **Review** to review your design for run-time stability and robustness issues. For more information, see “Review Model Predictive Controller for Stability and Robustness Issues”.

Initial controller state

Specifies the initial controller state. If this parameter is left blank, the block uses the nominal values that are defined in the `Model.Nominal` property of the `mpc` object. To override the default, create an `mpcstate` object in your workspace, and enter its name in the field.

Required Inports

Measured output or State estimate

If your controller uses default state estimation, this inport is labeled `m0`. Connect this inport to the measured signals from the plant.

If your controller uses custom state estimation, check **Use custom estimated states instead of measured outputs** in the **General** tab. Checking that option changes the label on this inport to `x[k|k]`. Connect a signal providing the controller state estimates. (The controller state includes the plant, disturbance, and noise model states.) The estimates supplied at time t_k must be based on the measurements and other data available at time t_k .

Reference

The `ref` dimension must not change from one control instant to the next. Each element must be a real number.

When `ref` is a 1-by- n_y signal, where n_y is the number of outputs, there is no reference signal previewing. All the current values are applied across the prediction horizon.

To use signal previewing, specify `ref` as an N -by- n_y signal, where N is the number of time steps for which you are specifying reference values. Here, $1 < N \leq p$, and p is the prediction horizon. Previewing usually improves performance since the controller can anticipate future reference signal changes. The first row of `ref` specifies the n_y references for the first step in the prediction horizon (at the next control interval $k = 1$), and so on for N steps. If $N < p$, the last row designates constant reference values for the remaining $p - N$ steps.

For example, suppose $n_y = 2$ and $p = 6$. At a given control instant, the signal connected to the `ref` inport is:

```
[2 5 ← k=1
 2 6 ← k=2
```

```
2 7 ← k=3  
2 8] ← k=4
```

The signal informs the controller that:

- Reference values for the first prediction horizon step $k = 1$ are 2 and 5.
- The first reference value remains at 2, but the second increases gradually.
- The second reference value becomes 8 at the beginning of the fourth step $k = 4$ in the prediction horizon.
- Both values remain constant at 2 and 8 respectively for steps 5–6 of the prediction horizon.

`mpcpreview` shows how to use reference previewing in a specific case. For calculation details on the use of the reference signal, see “Optimization Problem”.

Required Outputs

Manipulated Variables

The `mv` output provides a signal defining the $n_u \geq 1$ manipulated variables, which are to be implemented in the plant. The controller updates its `mv` output by solving a quadratic program at each control instant.

Additional Inports (General tab)

Measured disturbance

Add an inport (`md`) to which you can connect a measured disturbance signal.

The `md` dimension must not change from one control instant to the next. Each element must be a real number.

When `md` is a 1-by- n_{md} signal, where $n_{md} \geq 1$ is the number of measured disturbances defined for your controller, there is no measured disturbance previewing. All the current values are applied across the prediction horizon.

To use disturbance previewing, specify `ref` as an N -by- n_{md} signal, where N is the number of time steps for which the MD is known. Here, $1 < N \leq p + 1$, and p is the prediction

horizon. Previewing usually improves performance since the controller can anticipate future disturbances. The first row of `md` specifies the n_{md} current disturbance values ($k=1$), with other rows specifying disturbances for subsequent control intervals. If $N < p + 1$, the last row designates constant reference values for the remaining $p - N + 1$ steps.

For example, suppose $n_{md} = 2$ and $p = 6$. At a given control instant, the signal connected to the `md` inport is:

```
[2 5 ← k=0
 2 6 ← k=1
 2 7 ← k=2
 2 8] ← k=3
```

This signal informs the controller that:

- The current MD values are 2 and 5 at $k = 0$.
- The first MD remains at 2, but the second increases gradually.
- The second MD becomes 8 at the beginning of the third step $k = 3$ in the prediction horizon.
- Both values remain constant at 2 and 8 respectively for steps 4–6 of the prediction horizon.

`mpcpreview` shows how to use MD previewing in a specific case.

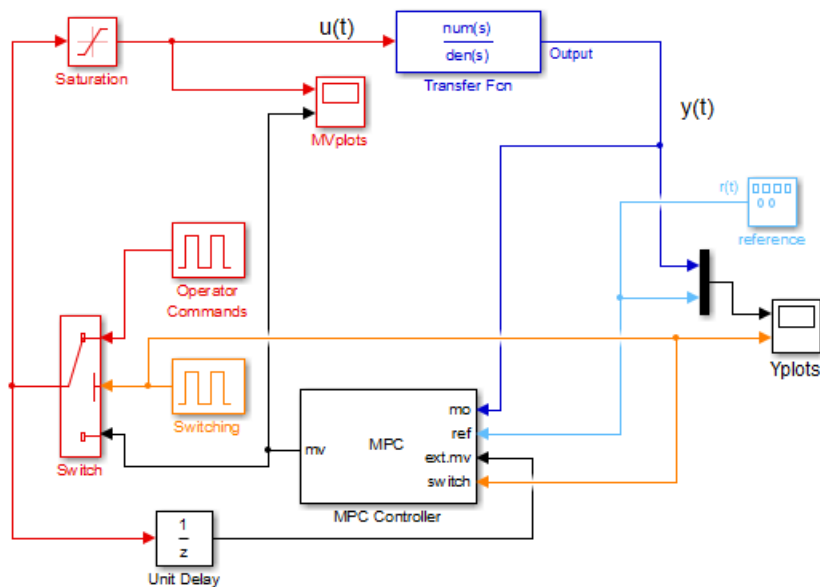
For calculation details, see “MPC Modeling” and “QP Matrices”.

External manipulated variable

Add an inport (`ext.mv`), which you can connect to the actual manipulated variables (MV) used in the plant. The block uses these to update its internal state estimates.

Controller state estimation assumes that the MV is piecewise constant. At time t_k , the `ext.mv` value must be the effective MV between times t_{k-1} and t_k . For example, if the MV is actually varying over this interval, you might supply the time-averaged value evaluated at time t_k .

The following example, from the model `mpc_bumpless`, includes a switch that can override the controller’s output with a signal supplied by the operator. Also, the controller output may saturate. Feeding back the actual MV used in the plant (labeled `u(t)` in the example) improves the accuracy of controller state estimates.



If the external MV option is inactive or the `ext.mv` inport is unconnected, the controller assumes that its MV output is used in the plant without modification.

Note There is direct feed through from the `ext.mv` inport to the `mv` output. Thus, use of this option may cause an algebraic loop in the Simulink diagram. In the above examples, the insertion of a unit delay block avoids an algebraic loop.

Additional Outputs (General tab)

Optimal cost

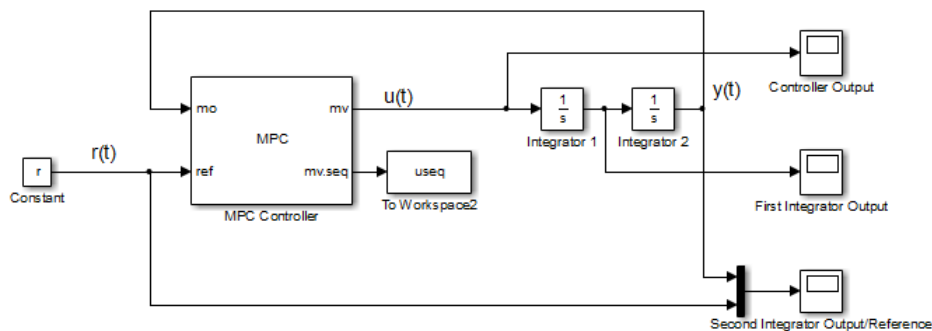
Add an output (`cost`) that provides the optimal quadratic programming objective function value at the current time (a nonnegative scalar). If the optimization problem is infeasible, however, the value is meaningless. (See `qp.status`.)

Optimal control sequence

Add an output (`mv.seq`) that provides the computed optimal MV sequence for the entire prediction horizon from $k=0$ to $k = p - 1$. If n_u is the number of MVs and p is the length

of the prediction horizon, this signal is a p by n_u matrix. The first row represents $k=0$ and duplicates the block's MV output.

The following block diagram (from Analysis of Control Sequences Optimized by MPC on a Double Integrator System) illustrates how to use this option. The diagram shows how to collect diagnostic data and send it to the `To Workspace2` block, which creates the variable, `useq`, in the workspace. Run the example to see how the optimal sequence evolves with time.



Optimization status

Add an output (`qp.status`) that allows you to monitor the status of the QP solver.

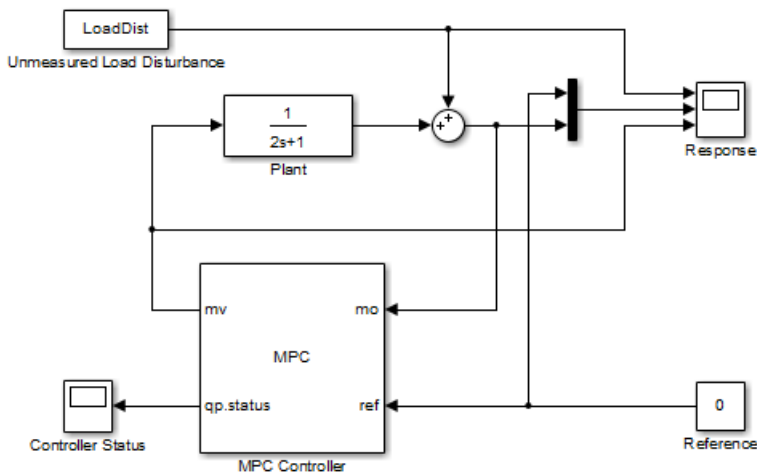
If a QP problem is solved successfully at a given control interval, the `qp.status` output returns the number of QP solver iterations used in computation. This value is a finite, positive integer and is proportional to the time required for the calculations. Thus, a large value means a relatively slow block execution at this time interval.

The QP solver may fail to find an optimal solution for the following reasons:

- `qp.status = 0` — The QP solver cannot find a solution within the maximum number of iterations specified in the `mpc` object.
- `qp.status = -1` — The QP solver detects an infeasible QP problem. See [Monitoring Optimization Status to Detect Controller Failures](#) for an example where a large, sustained disturbance drives the OV outside its specified bounds.
- `qp.status = -2` — The QP solver has encountered numerical difficulties in solving a severely ill-conditioned QP problem.

For all the previous three failure modes, the MPC Controller block holds its `mv` output at the most recent successful solution. In a real-time application, you can use status indicator to set an alarm or take other special action.

The next diagram shows how to use the status indicator to monitor the MPC Controller block in real time. See [Monitoring Optimization Status to Detect Controller Failures](#) for more details.



Estimated plant, disturbance, and noise model states

Add an output (`est.state`) to receive the controller state estimates, $x[k|k]$, at each control instant. These include the plant, disturbance and noise model states.

State Estimation (General tab)

Use custom estimated states instead of measured outputs

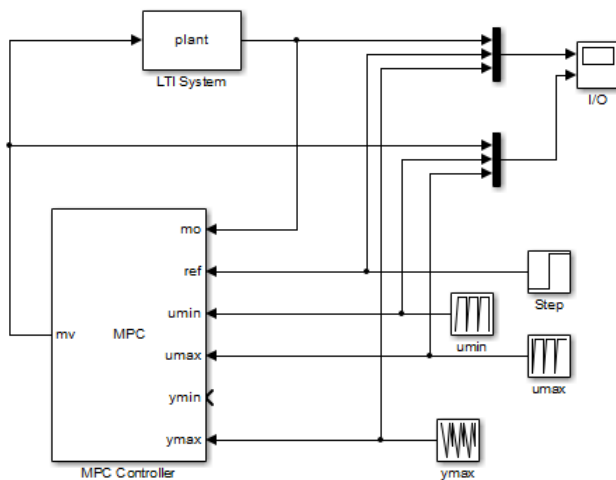
Replace `mo` with the $x[k|k]$ inport for custom state estimation as described in “Required Inports” on page 2-5.

Constraints (Online Features tab)

Plant input and output limits

Add inports (umin, umax, ymin, ymax) that you can connect to run-time constraint signals.

umin and umax are vectors with n_u elements. ymin and ymax are vectors with n_y elements.



If any of these inports are unconnected, they are treated as unbounded signals. The corresponding variable in the `mpc` object must also be unbounded.

For connected inports, the following rules apply:

- All connected signals must be finite. Simulink does not support infinite signals.
- If a variable is unconstrained in the controller object, the connected value is ignored.

If this check box is not selected, the block uses the constant constraint values stored within its `mpc` object.

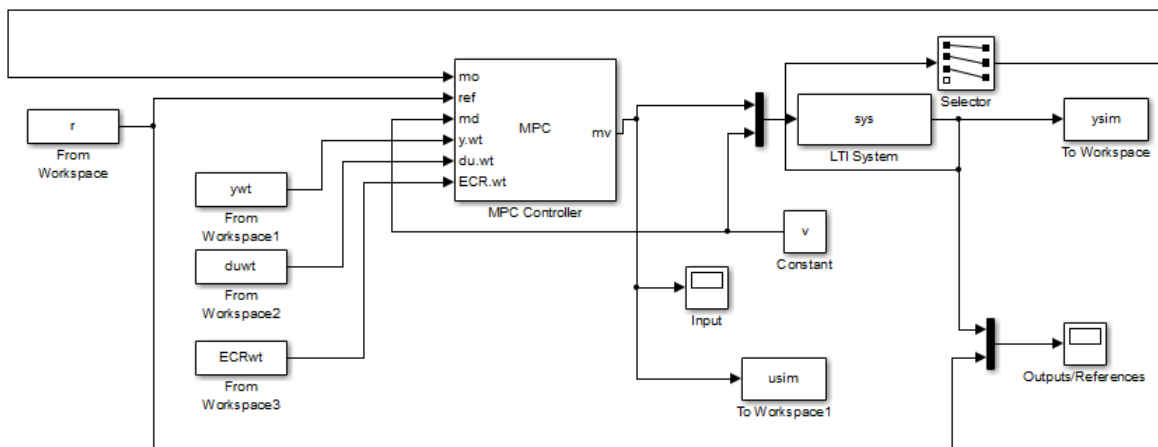
Note: You cannot specify time-varying constraints at run time using a matrix signal.

Weights (Online Features tab)

A controller intended for real-time applications should have “knobs” you can use to tune its performance when it operates with the real plant. This group of optional inports serves that purpose.

The diagram shown below shows three of the MPC Controller tuning inports. In this simulation context, the inports are tuned using pre-stored signals (the `ywt`, `duwt`, and `ECRwt` variables in the From Workspace blocks). In practice, you would connect a knob or similar manual adjustment.

Note: You cannot specify time-varying weights at run time using a matrix signal.



Weights on plant outputs

Add an inport (`y.wt`) for a vector signal with n_y elements. Each element specifies a nonnegative tuning weight for each controlled output variable (OV). This signal overrides the `MPCobj.Weights.OV` property of the `mpc` object, which establishes the relative importance of OV reference tracking.

For example, if the preceding controller defined three OVs, the signal connected to the `y.wt` inport should be a vector with three elements. If the second element is relatively large, the controller would place a relatively high priority on making OV(2) track the

$r(2)$ reference signal. Setting a `y.wt` signal to zero turns off reference tracking for that OV.

If you do not connect a signal to the `y.wt` inport, the block uses the OV weights specified in your MPC object, and these values remain constant.

Weights on manipulated variables

Add an inport (`u.wt`), whose input is a vector signal defining n_u nonnegative weights, where n_u is the number of manipulated variables (MVs). The input overrides the `MPCobj.Weights.MV` property of the `mpc` object, which establishes the relative importance of MV target tracking.

For example, if your controller defines four MVs and the second `u.wt` element is relatively large, the controller would try to keep MV(2) close to its specified target (relative to other control objectives).

If you do not connect a signal to the `u.wt` inport, the block uses the `Weights.MV` weights property specified in your `mpc` object, and these values remain constant.

Weights on manipulated variable changes

Add an inport (`du.wt`), for a vector signal defining n_u nonnegative weights, where n_u is the number of manipulated variables (MVs). The input overrides the `MPCobj.Weights.MVrate` property of the `mpc` object, which establishes the relative importance of MV changes.

For example, if your controller defines four MVs and the second `du.wt` element is relatively large, the controller would use relatively small changes in the second MV. Such *move suppression* makes the controller less aggressive. However, too much suppression makes it sluggish.

If you do not connect a signal to the `du.wt` inport, the block uses the `Weights.MVrate` property specified in your `mpc` object, and these values remain constant.

Weight on overall constraint softening

Add an inport (`ECR.wt`), for a scalar nonnegative signal that overrides the `mpc` controller's `MPCobj.Weights.ECR` property. This inport has no effect unless your controller object defines soft constraints whose associated ECR values are nonzero.

If there are soft constraints, increasing the `ECR.wt` value makes these constraints relatively harder. The controller then places a higher priority on minimizing the magnitude of the predicted worst-case constraint violation.

You may not be able to avoid violations of an output variable constraint. Thus, increasing the `ECR.wt` value is often counterproductive. Such an increase causes the controller to pay less attention to its other objectives and does not help reduce constraint violations. You usually need to tune `ECR.wt` to achieve the proper balance in relation to the other control objectives.

MV Targets (Online Features tab)

Targets for manipulated variables

If you want one or more manipulated variable (MV) to track a target value that changes with time, use this option to add an `mv.target` inport to which you can connect the target signal (dimension n_u , where n_u is the number of MVs).

For this to be effective, the corresponding MV(s) must have nonzero penalty weights (these weights are zero by default).

Default Conditions tab

Specify the default block sample time and signal dimensions for performing simulation, trimming, or linearization. In these cases, the `mv` output signal remains at zero. You must specify default condition values that are compatible with your Simulink model design.

Note: These default conditions apply only if the **MPC Controller** field is empty. If you specify a controller from the MATLAB workspace, the sample time and signal sizes from the specified controller are used.

Sample Time

Specify the default controller sample time.

Plant Input Signal Sizes

Specify the default signal dimensions for the following input signal types:

- Manipulated variables
- Unmeasured disturbances
- Measured disturbances

Note: You can specify the measured disturbances signal dimension only if, on the **General** tab, in the **Additional Inports** section, the **Measured disturbance** option is selected.

Plant Output Signal Sizes

Specify the default signal dimensions for the following output signal types:

- Measured outputs
- Unmeasured outputs

Others tab

Block data type

Specify the block data type as one of the following:

- `double` — Double-precision floating point (default).
- `single` — Single-precision floating point.

Specify the output data type as `single` if you are implementing the MPC Controller block on a single-precision target.

For an example of double-precision and single-precision simulation and code generation for an MPC controller, see “Simulation and Code Generation Using Simulink Coder”.

To view the port data types in a model, in the Simulink Editor, select **Display > Signals & Ports****Port Data Types**.

Inherit sample time

Use the sample time inherited from the parent subsystem as the MPC Controller block’s sample time.

Inheriting the sample time allows you to conditionally execute the MPC Controller block inside the `Function-Call Subsystem` or `Triggered Subsystem` blocks.

For an example, see [Using MPC Controller Block Inside Function-Call and Triggered Subsystems](#).

Note: When you place an MPC controller block inside a `Function-Call Subsystem` or `Triggered Subsystem` block, you must execute the subsystem at the controller's design sample rate. You may see unexpected results if you use an alternate sample rate.

To view the sample time of a block, in the Simulink Editor, select **Display > Sample Time**. Select **Colors**, **Annotations**, or **All**. For more information, see “View Sample Time Information”.

Use external signal to enable or disable optimization

Add an inport (`switch`) whose input specifies whether the controller performs optimization calculations. If the input signal is zero, the controller behaves normally. If the input signal becomes nonzero, the MPC Controller block turns off the controller optimization calculations. This action reduces computational effort when the controller output is not needed, such as when the system is operating manually or another controller has taken over. The controller, however, continues to update its internal state estimate in the usual way. Thus, it is ready to resume optimization calculations whenever the `switch` signal returns to zero. While the controller optimization is turned off, the MPC Controller block passes the current `ext.mv` signal to the controller output. If the `ext.mv` inport is not enabled, the controller output is held at whatever value it had when the optimization was disabled.

See Also

`mpc` | MPC Designer | `mpcstate` | Multiple MPC Controllers

Related Examples

- “Design MPC Controller in Simulink”
- MPC Control with Input Quantization Based on Comparing the Optimal Costs
- Analysis of Control Sequences Optimized by MPC on a Double Integrator System
- “Simulation and Code Generation Using Simulink Coder”
- “Simulation and Structured Text Generation Using PLC Coder”

More About

- “MPC Modeling”

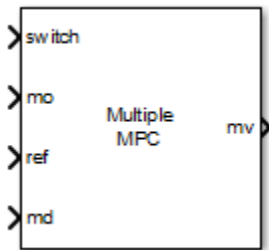
Multiple MPC Controllers

Simulate switching between multiple MPC controllers

Library

MPC Simulink Library

Description



As for the MPC Controller block, at each control instant the Multiple MPC Controllers block receives the current measured plant output, reference, and measured plant disturbance (if any). In addition, it receives a switching signal that selects the *active controller* from among a list of two or more candidates. The active controller then solves a quadratic program to determine the optimal plant manipulated variables for the current input signals.

The Multiple MPC Controllers block allows you to achieve better control when operating conditions change. In conventional feedback control, you might compensate for this by gain scheduling. In a similar manner, the Multiple MPC Controllers block allows you to transition between multiple MPC controllers in real-time based on the current conditions. Typically, you design each such controller for a particular region of the operating space. Using the available measurements, you detect the current operating region and choose the appropriate active controller.

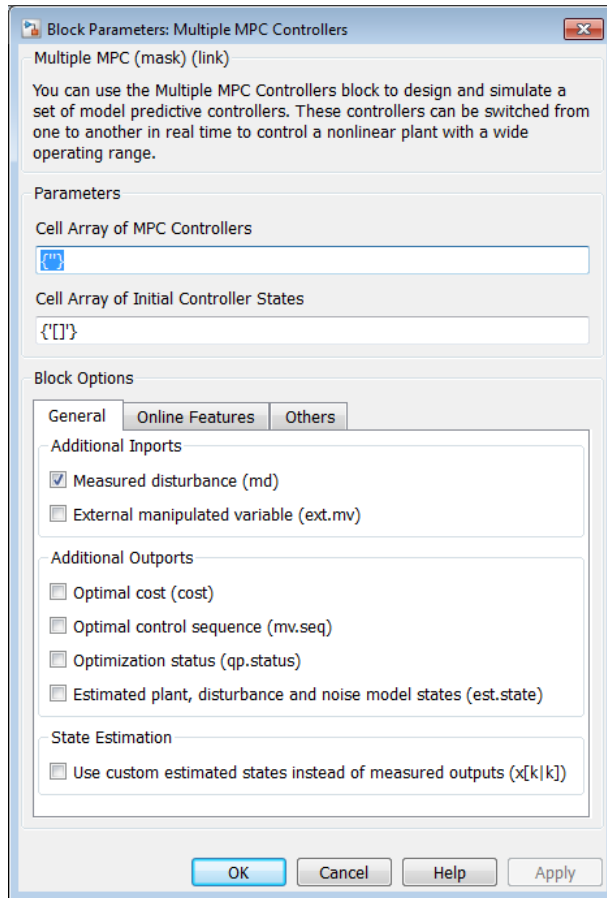
The Adaptive MPC Controller block compensates for operating point variations by modifying its prediction model. The advantages of the Multiple MPC Controllers block over Adaptive MPC Controller block are as follows:

- Simpler configuration – There is no need to identify prediction model parameters using online data.
- Its candidate controllers form a limited set that you can test thoroughly.

The **Multiple MPC Controllers** block lacks several optional features found in the **MPC Controller** block, as follows:

- You cannot disable optimization. One controller must always be active.
- You cannot initiate a controller design from within the block dialog, that is there is no **Design** button. You must design all candidate controllers before configuring the **Multiple MPC Controllers** block.
- Similarly, there is no **Review** button. Instead, use the `review` command or the MPC Designer app.

Dialog Box



The MPC Controller block has the following parameter groupings:

- “Parameters” on page 2-21
- “Required Inports” on page 2-21
- “Required Outports” on page 2-23
- “Additional Inports (General tab)” on page 2-23
- “Additional Outputs (General tab)” on page 2-24

- “State Estimation (General tab)” on page 2-25
- “Constraints (Online Features tab)” on page 2-26
- “Weights (Online Features tab)” on page 2-26
- “MV Targets (Online Features tab)” on page 2-27
- “Others tab” on page 2-27

Parameters

Cell Array of MPC Controllers

Candidate controllers, specified as:

- A cell array of `mpc` objects.
- A cell array of strings, where each string is the name of an `mpc` object in the MATLAB workspace.

The specified array must contain at least two candidate controllers. The first entry in the cell array is the controller that corresponds to a switch input value of 1, the second corresponds to a switch input value of 2, and so on.

Cell Array of Initial Controller States

Optional initial states for each candidate controller, specified as:

- A cell array of `mpcstate` objects.
- A cell array of strings, where each string is the name of an `mpcstate` object in the MATLAB workspace.
- `{[], [], ...}` or `{'[]', '[]', ...}` — Use the nominal condition defined in `Model.Nominal` as the initial state for each controller. If you specify an empty object for one initial state, you must do so for all initial states.

Required Inports

Controller Selection

The `switch` input signal must be a scalar integer between 1 and n_c , where n_c is the number of controllers listed in your block mask. At each control instant, this signal designates the active controller.

Measured output or State estimate

If all candidate controllers use default state estimation, this inport is labeled `mo`. Connect the measured plant output variables.

If all candidate controllers use custom state estimation, check **Use custom estimated states instead of measured outputs** in the General tab. Checking that option changes the label on this inport to `x[k|k]`. Connect a signal providing the controller state estimates. (The controller state includes the plant, disturbance, and noise model states.) The estimates supplied at time t_k must be based on the measurements and other data available at time t_k .

All candidate controllers must use the same state estimation option, default or custom. When you use custom state estimation, all candidate controllers must have the same dimension.

Reference

At each control instant, the `ref` signal must contain the current reference values (targets or setpoints) for the n_y output variables ($n_y = n_{ym} + \text{number of unmeasured outputs}$). You have the option to specify future reference values (previewing).

The `ref` signal must be size N by n_y , where $N(1 \leq N \leq p)$ is the number of time steps for which you are specifying reference values and p is the prediction horizon. Each element must be a real number. The `ref` dimension must not change from one control instant to the next.

When $N=1$, you cannot preview. To specify future reference values, choose N such that $1 < N \leq p$ to enable previewing. Doing so usually improves performance via **feedforward** information. The first row specifies the n_y references for the first step in the prediction horizon (at the next control interval $k=1$), and so on for N steps. If $N < p$, the last row designates constant reference values to be used for the remaining $p-N$ steps.

For example, suppose $n_y=2$ and $p=6$. At a given control instant, the signal connected to the controller's `ref` inport is

```
[2 5 ← k=1
 2 6 ← k=2
 2 7 ← k=3
 2 8] ← k=4
```

The signal informs the controller that:

- Reference values for the first prediction horizon step ($k=1$) are 2 and 5.
- The first reference value remains at 2, but the second increases gradually.
- The second reference value becomes 8 at the beginning of the fourth step ($k=4$) in the prediction horizon.
- Both values remain constant at 2 and 8 respectively for steps 5–6 of the prediction horizon.

Required Outputs

Manipulated Variables

The `mv` output provides a signal defining the $n_u \geq 1$ manipulated variables, which are to be implemented in the plant. The controller updates its `mv` output by solving a quadratic program at each control instant.

Additional Inports (General tab)

Measured disturbance

Add an inport (`md`) to which you can connect a measured disturbance signal.

Your measured disturbance signal (`MD`) must be size $N \times n_{md}$, where $n_{md} \geq 1$ is the number of measured disturbances defined in the active Model Predictive Controller and N ($1 \leq N \leq p+1$) is the number of time steps for which the MD is known. Each element must be a real, double-precision number. The signal dimensions must not change from one control instant to the next.

If $N = 1$, you cannot preview. At each control instant, the MD signal must contain the most recent measurements at the current time $k = 0$ (as a row vector, length n_{md}). The controller assumes that the MDS remain constant at their current values for the entire prediction horizon.

If you are able to predict future MD values, choose N such that $1 < N \leq p+1$ to enable previewing. Doing so usually improves performance via **feedforward**. In this case, the first row must contain the n_{md} current values at $k=0$, and the remaining rows designate variations over the next $N-1$ control instants. If $N < p+1$, the last row designates constant MD values to be used for the remaining $p+1-N$ steps of the prediction horizon.

For example, suppose $n_{md} = 2$ and $p = 6$. At a given control instant, the signal connected to the controller's `md` inport is:

```
[2 5 ← k=0  
 2 6 ← k=1  
 2 7 ← k=2  
 2 8] ← k=3
```

This signal informs the controller that:

- The current MDs are 2 and 5 at $k=0$.
- The first MD remains at 2, but the second increases gradually.
- The second MD becomes 8 at the beginning of the step 3 ($k=3$) in the prediction horizon.
- Both values remain constant at 2 and 8 respectively for steps 4–6 of the prediction horizon.

`mpcpreview` shows how to use MD previewing in a specific case.

For calculation details, see “MPC Modeling” and “QP Matrices”.

Externally Supplied MV signals

Add an inport (`ext.mv`) to which you connect the actual manipulated variables (MV) used in the plant. All candidate controllers use this when updating their controller state estimates.

For additional discussion and examples, see the `MPC Controller` block documentation.

Additional Outputs (General tab)

You may configure a number of optional output signals. At each sampling instant, the active controller determines their values. The following describes each briefly. For more details, see the `MPC Controller` block documentation.

Optimal cost

Add an output (`cost`) that provides the optimal quadratic programming objective function value at the current time (a nonnegative scalar). If the controller is performing well and no constraints have been violated, the value should be small. If the optimization problem is infeasible, however, the value is meaningless. (See `qp.status`.)

Optimal control sequence

Add an output (`mv.seq`) that provides the active controller's computed optimal MV sequence for the entire prediction horizon from $k=0$ to $k = p - 1$. If n_u is the number of MVs and p is the length of the prediction horizon, this signal is a p by n_u matrix. The first row represents $k=0$ and duplicates the block's MV output.

Optimization status

Add an output (`qp.status`) that allows you to monitor the status of the active controller's QP solver.

If a QP problem is solved successfully at a given control interval, the `qp.status` output returns the number of QP solver iterations used in computation. This value is a finite, positive integer and is proportional to the time required for the calculations. Thus, a large value means a relatively slow block execution at this time interval.

The QP solver may fail to find an optimal solution for the following reasons:

- `qp.status = 0` — The QP solver cannot find a solution within the maximum number of iterations specified in the `mpc` object.
- `qp.status = -1` — The QP solver detects an infeasible QP problem. See [Monitoring Optimization Status to Detect Controller Failures](#) for an example where a large, sustained disturbance drives the OV outside its specified bounds.
- `qp.status = -2` — The QP solver has encountered numerical difficulties in solving a severely ill-conditioned QP problem.

For all the previous three failure modes, the **Multiple MPC Controllers** block holds its `mv` output at the most recent successful solution. In a real-time application, you can use status indicator to set an alarm or take other special action.

Estimated plant, disturbance, and noise model states

Add an output (`est.state`) to receive the active controller's state estimates, $x[k|k]$, at each control instant. These include the plant, disturbance and noise model states.

State Estimation (General tab)

Use custom estimated states instead of measured outputs

Add the $x[k|k]$ inport for custom state estimation as described in “Required Inports” on page 2-21. All candidate controllers must use the same state estimation option,

default or custom. When you use custom state estimation, all candidate controllers must have the same dimension.

Constraints (Online Features tab)

At each control instant, the optional features described below apply to the active controller.

Plant input and output limits

Add inports (`umin`, `umax`, `ymin`, `ymax`) that you can connect to run-time constraint signals. If this check box is not selected, the block uses the constant constraint values stored within the active controller.

An unconnected inport is treated as an unbounded signal. The corresponding variable in the `mpc` object must be unbounded.

For connected inports, the following rules apply:

- All connected signals must be finite. Simulink does not support infinite signals.
- If a variable is unconstrained in the controller object, the connected value is ignored.

Weights (Online Features tab)

The optional inputs described below function as controller “tuning knobs.” By default (or when a signal is unconnected), the active controller’s stored tuning weights apply.

When using these online tuning features, you should usually prevent an unexpected change in the active controller. Otherwise, settings intended for a particular candidate controller may instead retune another.

Weights on plant outputs

Add an inport (`y.wt`) for a vector signal containing a nonnegative weight for each controlled output variable (OV). This signal overrides the `MPCobj.Weights.OV` property of the active controller, which establishes the relative importance of OV reference tracking.

If you do not connect a signal to the `y.wt` inport, the block uses the OV weights specified in the active controller, and these values remain constant.

Weights on manipulated variables

Add an inport (`u.wt`), whose input is a vector signal defining nu nonnegative weights, where nu is the number of manipulated variables (MVs). The input overrides the `MPCobj.Weights.MV` property of the active controller, which establishes the relative importance of MV target tracking.

If you do not connect a signal to the `u.wt` inport, the block uses the `Weights.MV` weights property specified in the active controller, and these values remain constant.

Weights on manipulated variable changes

Add an inport (`du.wt`), for a vector signal defining nu nonnegative weights, where nu is the number of manipulated variables (MVs). The input overrides the `MPCobj.Weights.MVrate` property of the active controller, which establishes the relative importance of MV changes.

If you do not connect a signal to the `du.wt` inport, the block uses the `Weights.MVrate` property specified in the active controller, and these values remain constant.

Weight on overall constraint softening

Add an inport (`ECR.wt`), for a scalar nonnegative signal that overrides the active controller's `MPCobj.Weights.ECR` property. This inport has no effect unless the active controller defines soft constraints whose associated ECR values are nonzero.

MV Targets (Online Features tab)

Targets for manipulated variables

If you want one or more manipulated variable (MV) to track a target value that changes with time, use this option to add an `mv.target` inport to which you can connect the target signal (dimension n_u , where n_u is the number of MVs).

For this to be effective, the corresponding MV(s) must have nonzero penalty weights (these weights are zero by default).

Others tab

Block data type

Specify the block data type of the manipulated variables as one of the following:

- `double` — Double-precision floating point (default).
- `single` — Single-precision floating point.

Specify the output data type as `single` if you are implementing the MPC Controller block on a single-precision target.

For an example of double- and single-precision simulation and code generation for an MPC controller, see “Simulation and Code Generation Using Simulink Coder”.

To view the port data types in a model, in the Simulink Editor, select **Display > Signals & PortsPort Data Types**.

Inherit sample time

Use the sample time inherited from the parent subsystem as the Multiple MPC Controllers block’s sample time.

Inheriting the sample time allows you to conditionally execute the Multiple MPC Controllers block inside the Function-Call Subsystem or Triggered Subsystem blocks. For an example, see Using MPC Controller Block Inside Function-Call and Triggered Subsystems.

Note: When you place an MPC controller inside a Function-Call Subsystem or Triggered Subsystem block, you must execute the subsystem at the controller’s design sample rate. You may see unexpected results if you use an alternate sample rate.

To view the sample time of a block, in the Simulink Editor, select **Display > Sample Time**. Select **Colors**, **Annotations**, or **All**. For more information, see “View Sample Time Information”.

See Also

`mpc` | MPC Controller | `mpcmove` | `mpcstate`

Related Examples

- Scheduling Controllers for a Plant with Multiple Operating Points
- Chemical Reactor with Multiple Operating Points
- “Simulation and Code Generation Using Simulink Coder”

- “Simulation and Structured Text Generation Using PLC Coder”

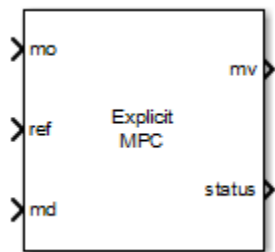
Explicit MPC Controller

Design and simulate explicit model predictive controller

Library

MPC Simulink Library

Description



Like the MPC Controller block, the Explicit MPC Controller block uses the following input signals:

- Measured plant outputs (**mo**)
- Reference or setpoint (**ref**)
- Measured plant disturbance (**md**), if any

The key difference is that the Explicit MPC Controller block uses a table-lookup control law rather than solving a quadratic program during each control interval. The reduced online computational effort is advantageous in applications requiring a short control interval. The primary trade-off is a heavier offline computational effort needed to determine the control law and a larger memory footprint to store it. The combinatorial character of this computation restricts its use to applications with relatively few input, output, and state variables, a short prediction horizon, and few output constraints, if any.

The Explicit MPC Controller block also has fewer optional features than the other blocks in the MPC Simulink Library. In particular, it does not support the following:

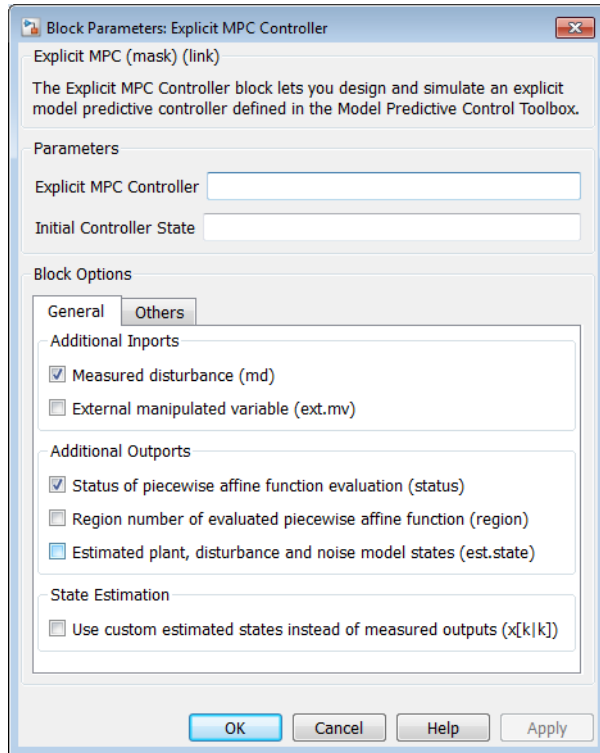
- Online tuning (i.e., penalty weight adjustments)
- Online constraint adjustments
- Manipulated variable target adjustments
- Reference and/or measured disturbance previewing
- Cost function output
- Optimal control sequence output

The block does support the following options common to most MPC Library blocks:

- Custom state estimation (default state estimation uses a static Kalman filter)
- Outport for state estimation results
- External manipulated variable feedback signal inport
- Single-precision block data (default is double precision)
- Inherited sample time

It also provides two optional status outports unique to this block.

Dialog Box



The Explicit MPC Controller block has the following parameter groupings:

- “Parameters” on page 2-33
- “Required Inports” on page 2-33
- “Required Outports” on page 2-33
- “Additional Inports (General Tab)” on page 2-34
- “Additional Outports (General tab)” on page 2-34
- “Others tab” on page 2-35

Parameters

Explicit MPC Controller

An “Explicit MPC Controller Object” on page 3-18 object containing the control law to be used. It must exist in the workspace. Use the `generateExplicitMPC` command to create this object.

Initial Controller State

An optional `mpcstate` object specifying the initial controller state. By default the block uses the controller object’s `Model.Nominal` property.

Required Inports

Measured output or State estimate

If your controller uses default state estimation, this inport is labeled `mo`. Connect the measured plant output variables.

If your controller uses custom state estimation, check **Use custom estimated states instead of measured outputs** in the General tab. Checking that option changes the label on this inport to `x[k|k]`. Connect a signal providing the controller state estimates. (The controller state includes the plant, disturbance, and noise model states.) The estimates supplied at time t_k must be based on the measurements and other data available at time t_k .

Reference

At each control instant, the `ref` signal must contain the current reference values (targets or setpoints) for the n_y output variables. Reference previewing is not supported. The block assumes each reference value is constant over the prediction horizon.

Required Outports

Manipulated Variables

The `mv` outport provides a signal defining the $n_u \geq 1$ manipulated variables, which are to be implemented in the plant. The controller updates its `mv` outport at each control instant using the control law contained in the Explicit MPC controller object. If the control law evaluation fails, this signal is unchanged, i.e., held at the previous successful result.

Additional Inports (General Tab)

Measured disturbance

Add an inport (`md`) to which you can connect a vector signal containing n_{md} elements, where n_{md} is the number of measured disturbances.

Measured disturbance previewing is not supported. The block assumes that each measured disturbance value is constant over the prediction horizon.

External manipulated variable

Add an inport (`ext.mv`) to which you can connect a vector signal containing the n_u actual manipulated variables (MVs) used in the plant. The block uses this when updating its controller state estimates. Using this inport improves state estimation accuracy when the MVs used in the plant differ from those calculated by the block, e.g., due to signal saturation or an override condition.

Controller state estimation assumes that the MV is piecewise constant. At time t_k , the `ext.mv` value must be the effective MV between times t_{k-1} and t_k . For example, if the MV is actually varying over this interval, you might supply the time-averaged value evaluated at time t_k .

If the external MV option is not selected or its inport is unconnected, the block assumes that its MV output is used in the plant without modification.

For additional discussion and examples, see the corresponding section of the MPC Controller block reference page.

Note There is direct feed through from the `ext.mv` inport to the `mv` output. Thus, use of this option may cause an algebraic loop in the Simulink diagram. You might need to insert a `Memory` or `Unit Delay` block to prevent such algebraic loops.

Additional Outports (General tab)

Status of piecewise affine function evaluation

Add an output (`status`) that indicates whether the latest explicit MPC control-law evaluation succeeded. The output provides a scalar signal that has one of the following values:

- 1 — Successful explicit control law evaluation,
- 0 — Failure: one or more of the control law's parameters was out of range.
- -1 — Undefined: control law parameters were within the valid range but an extrapolation was necessary.

Region number of evaluated piecewise affine function

Add an output (`region`) providing the index of the polyhedral region used in the latest explicit control law evaluation (a scalar). If the control law evaluation fails, the signal at this output equals zero.

Estimated plant, disturbance, and noise model states

Add an output (`est.state`) to receive the controller state estimates, $x[k|k]$, at each control instant. These include the plant, disturbance and noise model states.

Others tab

Block data type

Specify the block data type as one of the following:

- `double` — Double-precision floating point (default).
- `single` — Single-precision floating point.

Specify the output data type as `single` if you are implementing the MPC Controller block on a single-precision target.

For an example of double- and single-precision simulation and code generation for an MPC controller, see “Simulation and Code Generation Using Simulink Coder”.

To view the port data types in a model, in the Simulink Editor, select **Display > Signals & Ports****Port Data Types**.

Inherit sample time

Use the sample time inherited from the parent subsystem as the MPC Controller block's sample time.

Inheriting the sample time allows you to conditionally execute the MPC Controller block inside the Function-Call Subsystem or Triggered Subsystem blocks.

For an example, see [Using MPC Controller Block Inside Function-Call and Triggered Subsystems](#).

Note: When you place an **Explicit MPC Controller** block inside a **Function-Call Subsystem** or **Triggered Subsystem** block, you must execute the subsystem at the controller's design sample rate. You may see unexpected results if you use an alternate sample rate.

To view the sample time of a block, in the Simulink Editor, select **Display > Sample Time**. Select **Colors**, **Annotations**, or **All**. For more information, see “View Sample Time Information”.

See Also

`generateExplicitMPC` | `mpc` | **MPC Controller** | `mpcmoveExplicit` | `mpcstate`

Related Examples

- “Explicit MPC Control of a Single-Input-Single-Output Plant”
- “Explicit MPC Control of an Aircraft with Unstable Poles”
- “Explicit MPC Control of DC Servomotor with Constraint on Unmeasured Output”

More About

- “Explicit MPC”
- “Design Workflow for Explicit MPC”

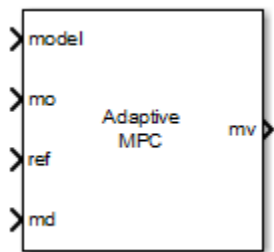
Adaptive MPC Controller

Design and simulate adaptive and time-varying model predictive controllers

Library

MPC Simulink Library

Description



Like the MPC Controller block, the Adaptive MPC Controller block uses the following input signals:

- Measured plant outputs (`mo`)
- Reference or setpoint (`ref`)
- Measured plant disturbance (`md`), if any

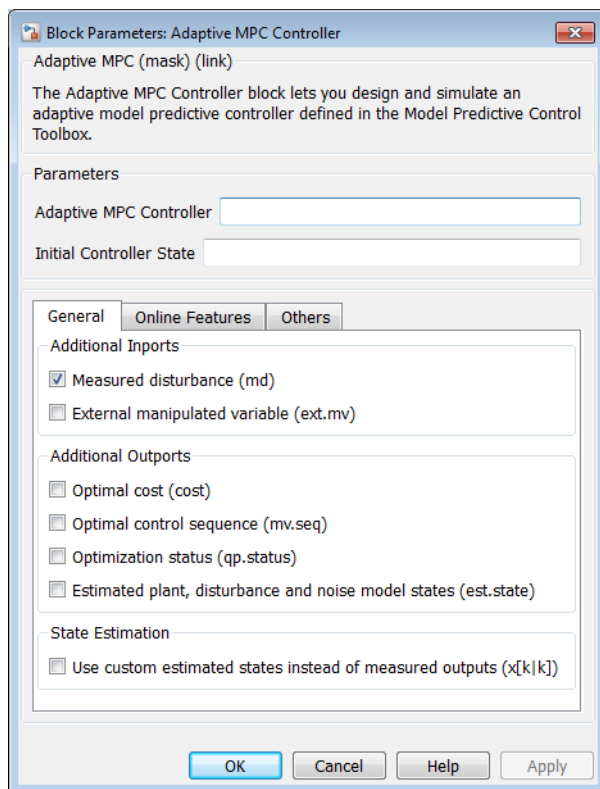
In addition, the required model input signal specifies the prediction model to be used when solving the quadratic program (QP) for the block output (`mv`), i.e., the optimal plant manipulated variables. The linear prediction model can change at each control interval in response to changes in the real plant at run-time. The prediction model can represent a single LTI plant used for all prediction steps (adaptive MPC mode) or an array of LTI plants for different prediction steps (time-varying MPC mode). Two common ways to modify this model are as follows:

- Given a nonlinear plant model, linearize it at the current operating point.
- Use plant data to estimate parameters in an empirical linear-time-varying model.

By default, the block estimates its prediction model states. Since the prediction model parameters change at run time, the static Kalman filter used in the **MPC Controller** block is inappropriate. Instead, the **Adaptive MPC Controller** block employs a linear-time-varying Kalman filter (LTVKF). See “Adaptive MPC” for details.

In all other ways the **Adaptive MPC Controller** block mimics the simpler **MPC Controller** block. As the adaptive version involves additional overhead, use the **MPC Controller** block unless you need to modify the prediction model. Another alternative is the **Multiple MPC Controllers** block, which allows you to use a finite, predetermined set of prediction models.

Dialog Box



The **Adaptive MPC Controller** block has the following parameter groupings:

- “Parameters” on page 2-39
- “Required Inports” on page 2-39
- “Required Outports” on page 2-41
- “Additional Inports (General tab)” on page 2-41
- “Additional Inports (General tab)” on page 2-41
- “State Estimation (General tab)” on page 2-41
- “Constraints (Online Features tab)” on page 2-42
- “MV Targets (Online Features tab)” on page 2-42
- “Others tab” on page 2-42

Parameters

Adaptive MPC Controller

A traditional (implicit) `mpc` controller object whose prediction model is to be modified at each control instant. By default, the block assumes all other controller object properties (e.g., tuning weights, constraints) are constant. You can override this assumption using the options in the **Online Features** tab.

The following restrictions apply to the `mpc` controller object:

- It must exist in your base workspace.
- Its prediction model must be an LTI discrete-time, state-space object with no delays. (Use the `absorbDelay` command to convert delays to discrete states.)

Initial Controller State

An optional `mpcstate` object specifying the initial controller state. If you leave this box blank, the block uses the nominal values defined in the controller object’s `Model.Nominal` property. The alternative is to create an `mpcstate` object in your workspace, initialize it to the desired state, and enter its name in the box.

Required Inports

Model

Connect a bus signal to the `model` inport. This signal modifies the controller object `Model.Plant` and `Model.Nominal` properties at the beginning of each control interval.

The `Adaptive MPC Controller` requires `Model.Plant` to be an LTI discrete-time state-space object with no delays. The following command extracts the state-space matrices comprising such a model:

```
[A,B,C,D] = ssdata(MPCobj.Model.Plant)
```

The purpose of the `model` inport is to replace these matrices with new ones having the same dimensions, and representing the same control interval. You must also retain the sequence in which the input, output, and state variables appear in `Model.Plant`.

When operating in:

- Adaptive MPC mode, the bus you connect to the `model` inport must contain the following signals, each identified by the specified name:
 - **A** — n_x -by- n_x matrix signal, where n_x is the number of plant model states.
 - **B** — n_x -by- n_{utot} matrix signal, where n_{utot} is the total number of plant model inputs (i.e., manipulated variables, measured disturbances, and unmeasured disturbances).
 - **C** — n_y -by- n_x matrix signal, where n_y is the number of plant model outputs.
 - **D** — n_y -by- n_{utot} matrix signal.
 - **X** — Vector signal of length n_x , replacing the controller `Model.Nominal.X` property.
 - **Y** — Vector signal of length n_y , replacing the controller `Model.Nominal.Y` property.
 - **U** — Vector signal of length n_{utot} , replacing the controller `Model.Nominal.U` property.
 - **DX** — Vector signal of length n_x , replacing the controller `Model.Nominal.DX` property. It must be appropriate for use with a discrete-time model of the assumed control interval. For more information, see “Adaptive MPC”.
- Time-varying MPC mode, the bus you connect to the `model` inport must contain the following 3-dimensional bus signals:
 - **A** — n_x -by- n_x -by- $(p+1)$ matrix signal
 - **B** — n_x -by- n_{utot} -by- $(p+1)$ matrix signal
 - **C** — n_y -by- n_x -by- $(p+1)$
 - **D** — n_y -by- n_{utot} -by- $(p+1)$ matrix signal

- X — n_x -by- $(p+1)$ matrix signal
- Y — n_y -by- $(p+1)$ matrix signal
- U — n_{tot} -by- $(p+1)$ matrix signal
- DX — n_x -by- $(p+1)$ matrix signal

Here, p is the controller prediction horizon. For each signal, specify $p+1$ values representing the model and nominal conditions at each step of the prediction horizon. For more information, see “Time-Varying MPC”.

One way to form the bus is to use a Simulink `Bus Creator` block.

Required Outputs

Manipulated Variables

The `mv` output provides a signal defining the $n_u \geq 1$ manipulated variables, which are to be implemented in the plant. The controller updates its `mv` output by solving a quadratic program at each control instant.

Additional Inports (General tab)

These optional inports are identical to the corresponding inports in the `MPC Controller` block. Please see the `MPC Controller` block reference page for information.

Additional Outports (General tab)

These optional outports are identical to the corresponding outports in the `MPC Controller` block. Please see the `MPC Controller` block reference page for information.

State Estimation (General tab)

Use custom estimated states instead of measured outputs

Add the `x[k|k]` inport for custom state estimation.

Constraints (Online Features tab)

These optional inports are identical to the corresponding inports in the MPC Controller block. Please see the MPC Controller block reference page for information.

MV Targets (Online Features tab)

If you want one or more manipulated variable (MV) to track a target value that changes with time, use this option to add an `mv.target` inport to which you can connect the target signal (dimension n_u , where n_u is the number of MVs).

For this to be effective, the corresponding MV(s) must have nonzero penalty weights (these weights are zero by default).

Others tab

These parameters are identical to the corresponding parameters in the MPC Controller block. Please see the MPC Controller block reference page for information.

See Also

`mpc` | MPC Controller | `mpcmoveAdaptive` | `mpcstate` | Multiple MPC Controllers

Related Examples

- “Adaptive MPC Control of Nonlinear Chemical Reactor Using Successive Linearization”
- “Adaptive MPC Control of Nonlinear Chemical Reactor Using Online Model Estimation”
- “Time-Varying MPC Control of a Time-Varying Plant”

More About

- “Adaptive MPC”
- “Time-Varying MPC”

Object Reference

- “MPC Controller Object” on page 3-2
- “MPC Simulation Options Object” on page 3-13
- “MPC State Object” on page 3-16
- “Explicit MPC Controller Object” on page 3-18

MPC Controller Object

All of the parameters defining the traditional (implicit) MPC control law are stored in an MPC object, whose properties are listed in the following table.

MPC Controller Object

Property	Description
ManipulatedVariables (or MV or Manipulated or Input)	Scale factors, input bounds, input-rate bounds, corresponding ECR values, target values, signal names, and units.
OutputVariables (or OV or Controlled or Output)	Scale factors, input bounds, input-rate bounds, corresponding ECR values, target values, signal names, and units.
DisturbanceVariables (or DV or Disturbance)	Disturbance scale factors, names, and units
Weights	Weights used in computing the performance (cost) function
Model	Plant, input disturbance, and output noise models, and nominal conditions.
Ts	Controller sample time
Optimizer	Parameters controlling the QP solver
PredictionHorizon	Prediction horizon
ControlHorizon	Number of free control moves or vector of blocking moves
History	Creation time
Notes	Text or comments about the MPC controller object
UserData	Any additional data

ManipulatedVariables

ManipulatedVariables (or MV or Manipulated or Input) is an n_u -dimensional array of structures (n_u = number of manipulated variables), one per manipulated variable. Each structure has the fields described in the following table, where p denotes the

prediction horizon. Unless indicated otherwise, numerical values are in engineering units.

Manipulated Variable Structure

Field Name	Content	Default
ScaleFactor	Nonnegative scale factor for this MV	1
Min	1 to p length vector of lower bounds on this MV	- Inf
Max	1 to p length vector of upper bounds on this MV	Inf
MinECR	1 to p length vector of nonnegative parameters specifying the Min bound softness (0 = hard).	0 (dimensionless)
MaxECR	1 to p length vector of nonnegative parameters specifying the Max bound softness (0 = hard).	0 (dimensionless)
Target	1 to p length vector of target values for this MV	'nominal'
RateMin	1 to p length vector of lower bounds on the interval-to-interval change for this MV	- Inf
RateMax	1 to p length vector of upper bounds on the interval-to-interval change for this MV	Inf
RateMinECR	1 to p length vector of nonnegative parameters specifying the RateMin bound softness (0 = hard).	0 (dimensionless)
RateMaxECR	1 to p length vector of nonnegative parameters specifying the RateMax bound softness (0 = hard).	0 (dimensionless)
Name	Read-only MV signal name (character string)	InputName of LTI plant model
Units	Read-only MV signal units (character string)	InputUnit of LTI plant model

Note Rates refer to the difference $\Delta u(k)=u(k)-u(k-1)$. Constraints and weights based on derivatives du/dt of continuous-time input signals must be properly reformulated for the discrete-time difference $\Delta u(k)$, using the approximation $du/dt \cong \Delta u(k)/T_s$.

OutputVariables

OutputVariables (or **OV** or **Controlled** or **Output**) is an n_y -dimensional array of structures (n_y = number of outputs), one per output signal. Each structure has the fields described in the following table. p denotes the prediction horizon. Unless specified otherwise, values are in engineering units.

Output Variable Structure

Field Name	Content	Default
ScaleFactor	Nonnegative scale factor for this OV	1
Min	1 to p length vector of lower bounds on this OV	- Inf
Max	1 to p length vector of upper bounds on this OV	Inf
MinECR	1 to p length vector of nonnegative parameters specifying the Min bound softness (0 = hard).	1 (dimensionless)
MaxECR	1 to p length vector of nonnegative parameters specifying the Max bound softness (0 = hard).	1 (dimensionless)
Name	Read-only OV signal name (character string)	OutputName of LTI plant model
Units	Read-only OV signal units (character string)	OutputUnit of LTI plant model

In order to reject constant disturbances due, for instance, to gain nonlinearities, the default measured output disturbance model used in Model Predictive Control Toolbox software is integrated white noise (see “Output Disturbance Model”).

DisturbanceVariables

DisturbanceVariables (or **DV** or **Disturbance**) is an (n_v+n_d) -dimensional array of structures (n_v = number of measured input disturbances, n_d = number of unmeasured input disturbances). Each structure has the fields described in the following table.

Disturbance Variable Structure

Field Name	Content	Default
ScaleFactor	Nonnegative scale factor for this DV	1
Name	Read-only DV signal name (character string)	InputName of LTI plant model
Units	Read-only DV signal units (character string)	InputUnit of LTI plant model

The order of the disturbance signals within the array **DV** is the following: the first n_v entries relate to measured input disturbances, the last n_d entries relate to unmeasured input disturbances.

Weights

Weights is the structure defining the QP weighting matrices. It contains four fields. The values of these fields depend on whether you are using the standard quadratic cost function (see “Standard Cost Function”) or the alternative cost function (see “Alternative Cost Function”).

Standard Cost Function

The table below lists the content of the four structure fields. In the table, p denotes the prediction horizon, n_u the number of manipulated variables, and n_y the number of output variables.

For the **MV**, **MVRate** and **OV** weights, if you specify fewer than p rows, the last row repeats automatically to form a matrix containing p rows.

Weights for the Standard Cost Function

Field Name (Abbreviations)	Content	Default (dimensionless)
ManipulatedVariables (or MV or Manipulated or Input)	$(1 \text{ to } p)$ -by- n_u dimensional array of nonnegative MV weights	<code>zeros(1, nu)</code>

Field Name (Abbreviations)	Content	Default (dimensionless)
ManipulatedVariablesRate (or MVRate or ManipulatedRate or InputRate)	(1 to p)-by- n_u dimensional array of MV-increment weights	<code>0.1*ones(1, nu)</code>
OutputVariables (or OV or Controlled or Output)	(1 to p)-by- n_y dimensional array of OV weights	1 (The default for output weights is the following: if $n_u \geq n_y$, all outputs are weighted with unit weight; if $n_u < n_y$, n_u outputs default to 1, with preference given to measured outputs, and the rest default to 0.)
ECR	Scalar weight on the slack variable ε used for constraint softening	<code>1e5*(max weight)</code>

Note If all MVRate weights are strictly positive, the resulting QP problem is strictly convex. If some MVRate weights are zero, the QP Hessian might be positive semidefinite. In order to keep the QP problem strictly convex, when the condition number of the Hessian matrix $K_{\Delta U}$ is larger than 10^{12} , the quantity `10*sqrt(eps)` is added to each diagonal term. See “Cost Function”.

Alternative Cost Function

You can specify off-diagonal Q and R weight matrices in the cost function. To do so, define the fields `ManipulatedVariables`, `ManipulatedVariablesRate`, and `OutputVariables` as cell arrays, each containing a single positive-semi-definite matrix of the appropriate size. Specifically, `OutputVariables` must be a cell array containing the n_y -by- n_y Q matrix, `ManipulatedVariables` must be a cell array containing the n_u -by- n_u R_u matrix, and `ManipulatedVariablesRate` must be a cell array containing the n_u -by- n_u $R_{\Delta u}$ matrix (see “Alternative Cost Function” and the `mpcweightsdemo` example). You can use diagonal weight matrices for one or more of these fields. If you omit a field, the MPC controller uses the defaults shown in the table above.

For example, you can specify off-diagonal weights, as follows

```
MPCobj.Weights.OutputVariables = {Q};
```

```
MPCobj.Weights.ManipulatedVariables = {Ru};
MPCobj.Weights.ManipulatedVariablesRate = {Rdu};
```

where $Q = Q$, $Ru = R_u$, and $Rdu = R_{\Delta u}$ are positive semidefinite matrices.

Note You cannot specify non-diagonal weights that vary at each prediction horizon step. The same Q , Ru , and Rdu weights apply at each step.

Model

The property `Model` specifies plant, input disturbance, and output noise models, and nominal conditions, according to the model setup described in “Controller State Estimation”. It is a 1-D structure containing the following fields.

Models Used by MPC

Field Name	Content	Default
Plant	LTI model or identified linear model of the plant	No default
Disturbance	LTI model describing expected unmeasured input disturbances	[] (By default, input disturbances are expected to be integrated white noise. To model the signal, an integrator with dimensionless unity gain is added for each unmeasured input disturbance, unless the addition causes the controller to lose state observability. In that case, the disturbance is expected to be white noise, and so, a dimensionless unity gain is added to that channel instead.)
Noise	LTI model describing expected noise for output measurements	[] (By default, measurement noise is expected to be white noise with unit variance. To model the signal, a dimensionless unity gain is added for each measured channel.)
Nominal	Structure containing the state, input, and output	The default values of the fields are shown in the following table:

Field Name	Content	Default		
	values where <code>Model.Plant</code> is linearized	Field	Description	Default
		X	Plant state at operating point	[]
		U	Plant input at operating point, including manipulated variables and measured and unmeasured disturbances	[]
		Y	Plant output at operating point	[]
		DX	For continuous-time models, DX is the state derivative at operating point: $DX=f(X,U)$. For discrete-time models, $DX=x(k+1)-x(k)=f(X,U)-X$.	[]

Note Direct feedthrough from manipulated variables to any output in `Model.Plant` is not allowed. See “MPC Modeling”.

Specify input and output signal types via the `InputGroup` and `OutputGroup` properties of `Model.Plant`, or, more conveniently, use the `setmpcsignals` command. Valid signal types are listed in the following tables.

Input Groups in Plant Model

Name (Abbreviations)	Value
ManipulatedVariables (or MV or Manipulated or Input)	Indices of manipulated variables in <code>Model.Plant</code>
MeasuredDisturbances (or MD or Measured)	Indices of measured disturbances in <code>Model.Plant</code>
UnmeasuredDisturbances (or UD or Unmeasured)	Indices of unmeasured disturbances in <code>Model.Plant</code>

Output Groups in Plant Model

Name (Abbreviations)	Value
MeasuredOutputs (or MO or Measured)	Indices of measured outputs in <code>Model.Plant</code>
UnmeasuredOutputs (or UO or Unmeasured)	Indices of unmeasured outputs in <code>Model.Plant</code>

By default, all `Model.Plant` inputs are manipulated variables, and all outputs are measured.

The structure `Nominal` contains the values (in engineering units) for states, inputs, outputs, and state derivatives/differences at the operating point where `Model.Plant` applies. This point is typically a linearization point. The fields are reported in the following table (see also “MPC Modeling”).

Nominal Values at Operating Point

Field	Description	Default
X	Plant state at operating point	[]
U	Plant input at operating point, including manipulated variables and measured and unmeasured disturbances	[]
Y	Plant output at operating point	[]
DX	For continuous-time models, DX is the state derivative at operating point: $DX=f(X,U)$. For discrete-time models, $DX=x(k+1)-x(k)=f(X,U)-X$.	[]

Ts

Sample time of the MPC controller. By default, if `Model.Plant` is a discrete-time model, $T_s = \text{Model.Plant.ts}$. For continuous-time plant models, you must specify a controller T_s . Its measurement unit is inherited from `Model.Plant.TimeUnit`.

Optimizer

Parameters for the QP optimization. `Optimizer` is a structure with the following fields:

Optimizer Properties

Field	Description	Default
MaxIter	<p>Maximum number of iterations allowed in the QP solver, specified as one of the following:</p> <ul style="list-style-type: none"> 'Default' — The MPC controller automatically computes the maximum number of QP solver iterations as: $\text{MaxIter} = 4(p \cdot n_{c_y} + c(n_{cu} + n_{cr} + n_u) + n_{sv})$ <p>where</p> <ul style="list-style-type: none"> p is the prediction horizon. c is the control horizon. n_{c_y} is the number of OV constraints. n_{cu} is the number of MV constraints. n_{cr} is the number of MV rate constraints. n_u is the number of MVs. n_{sv} is the number of slack variables. <ul style="list-style-type: none"> Positive integer — The QP solver stops after MaxIter iterations. 	'Default'
MinOutputECR	<p>Minimum value allowed for OutputMinECR and OutputMaxECR, specified as a nonnegative scalar. A value of 0 indicates that hard output constraints are allowed. If either of the OutputVariables.MinECR or OutputVariables.MaxECR properties of an MPC controller are less than MinOutputECR, a warning is displayed and the value is raised to MinOutputECR during computation.</p>	0
CustomSolver	<p>Flag indicating whether to use a custom QP solver, specified as a logical value. If</p>	false

Field	Description	Default
	<code>CustomSolver</code> is <code>true</code> , the user must provide an <code>mpcCustomSolver</code> function on the MATLAB path. For information on how to define the <code>mpcCustomSolver</code> function, see “Custom QP Solver”.	

Note: The default `MaxIter` value can be very large for some controller configurations, such as those with large prediction and control horizons. When simulating such controllers, if the QP solver cannot find a feasible solution, the simulation can appear to stop responding, since the solver continues searching for `MaxIter` iterations.

PredictionHorizon

`PredictionHorizon` is the integer number of prediction horizon steps. The control interval, `Ts`, determines the duration of each step. The default value is 10 + maximum intervals of delay (if any).

ControlHorizon

`ControlHorizon` is either a number of free control moves, or a vector of blocking moves (see “Optimization Variables”). The default value is 2.

History

`History` stores the time the MPC controller was created (read only).

Notes

`Notes` stores text or comments as a cell array of strings.

UserData

Any additional data stored within the MPC controller object.

Construction and Initialization

To minimize computational overhead, Model Predictive Controller creation occurs in two phases. The first happens at *construction* when you invoke the `mpc` command, or when you change a controller property. Construction involves simple validity and consistency checks, such as signal dimensions and non-negativity of weights.

The second phase is *initialization*, which occurs when you use the object for the first time in a simulation or analytical procedure. Initialization computes all constant properties required for efficient numerical performance, such as matrices defining the optimal control problem and state estimator gains. Additional, diagnostic checks occur during initialization, such as verification that the controller states are observable.

By default, both phases display informative messages in the command window. You can turn these messages on or off using the `mpcverbosity` command.

MPC Simulation Options Object

The `mpcsimopt` object type contains various simulation options for simulating an MPC controller with the command `sim`. Its properties are listed in the following table.

MPC Simulation Options Properties

Property	Description
<code>PlantInitialState</code>	Initial state vector of the plant model generating the data.
<code>ControllerInitialState</code>	Initial condition of the MPC controller. This must be a valid <code>mpcstate</code> object. Note Nonzero values of <code>ControllerInitialState.LastMove</code> are only meaningful if there are constraints on the increments of the manipulated variables.
<code>UnmeasuredDisturbance</code>	Unmeasured disturbance signal entering the plant. An array with as many rows as simulation steps, and as many columns as unmeasured disturbances. Default: 0
<code>InputNoise</code>	Noise on manipulated variables. An array with as many rows as simulation steps, and as many columns as manipulated variables. The last sample of the array is extended constantly over the horizon to obtain the correct size. Default: 0
<code>OutputNoise</code>	Noise on measured outputs. An array with as many rows as simulation steps, and as many columns as measured outputs. The last sample of the array is extended constantly over the horizon to obtain the correct size. Default: 0
<code>RefLookAhead</code>	Preview on reference signal ('on' or 'off'). Default: 'off'

Property	Description
MDLookAhead	Preview on measured disturbance signal ('on' or 'off').
Constraints	Use MPC constraints ('on' or 'off'). Default: 'on'
Model	<p>Model used in simulation for generating the data.</p> <p>This property is useful for simulating the MPC controller under model mismatch. The LTI object specified in <code>Model</code> can be either a replacement for <code>Model.Plant</code>, or a structure with fields <code>Plant</code> and <code>Nominal</code>. By default, <code>Model</code> is equal to <code>MPCobj.Model</code> (no model mismatch). If <code>Model</code> is specified, then <code>PlantInitialState</code> refers to the initial state of <code>Model.Plant</code> and is defaulted to <code>Model.Nominal.x</code>.</p> <p>If <code>Model.Nominal</code> is empty, <code>Model.Nominal.U</code> and <code>Model.Nominal.Y</code> are inherited from <code>MPCobj.Model.Nominal</code>. <code>Model.Nominal.X/DX</code> is only inherited if both plants are state-space objects with the same state dimension.</p>
StatusBar	Display the wait bar ('on' or 'off'). Default: 'off'
MVSignal	<p>Sequence of manipulated variables (with offsets) for open-loop simulation (no MPC action).</p> <p>An array with as many rows as simulation steps, and as many columns as manipulated variables. Default: 0</p>
OpenLoop	Perform open-loop simulation ('on' or 'off'). Default: 'off'

The property `Model` is useful for simulating an MPC controller with “model mismatch”, i.e., when the controller’s prediction model only approximates the true plant behavior (inevitable in practice).

By default, `Model` is equal to `MPCobj.Model` (no model mismatch). If `Model` is specified, then `PlantInitialState` refers to the initial state of `Model.Plant` and defaults to `Model.Nominal.x`.

If `Model.Nominal` is empty, `Model.Nominal.U` and `Model.Nominal.Y` are inherited from `MPCobj.Model.Nominal`. `Model.Nominal.X/DX` is only inherited if both plants are state-space objects with the same state dimension.

MPC State Object

The `mpcstate` object type contains the state of an MPC controller. Create the MPC state object using `mpcstate`. Its properties are as follows.

Property	Description
Plant	<p>Vector of state estimates for the controller's plant model. Values are in engineering units and are absolute, i.e., they include state offsets.</p> <p>If the controller's plant model includes delays, the Plant field of the MPC state object includes states that model the delays. Therefore <code>length(Plant) > order of undelayed controller plant model</code>.</p> <p>Default: controller's <code>Model.Nominal.X</code> property.</p>
Disturbance	<p>Vector of unmeasured disturbance model state estimates. This comprises the states of the input disturbance model followed by the states of the output disturbances model.</p> <p>Disturbance models may be created by default. Use the <code>getindistand getoutdist</code> commands to view the two disturbance model structures.</p> <p>Default: zero, or empty if there are no disturbance model states.</p>
Noise	<p>Vector of output measurement noise model state estimates.</p> <p>Default: zero, or empty if there are no noise model states.</p>
LastMove	<p>Vector of manipulated variables used in the previous control interval, $u(k-1)$. Values are absolute, i.e., they include manipulated variable offsets.</p> <p>Default: nominal values of the manipulated variables.</p>
Covariance	<p>n-by-n symmetrical covariance matrix for the controller state estimates, where n is the dimension of the extended controller state, i.e., the sum of the number states contained in the Plant, Disturbance, and Noise fields.</p>

Property	Description
	Default: If the controller is employing default state estimation the default is the steady-state covariance computed according to the assumptions in “Controller State Estimation”. See also the description of the P matrix in the Control System Toolbox <code>kalmd</code> command. If the controller is employing custom state estimation, this field is empty (not used).

Explicit MPC Controller Object

An explicit MPC object contains the explicit control law equivalent to the traditional (implicit) MPC controller object from which it derives. Use an explicit MPC controller to implement MPC in applications requiring very rapid computations, i.e., a short control interval. Use the `generateExplicitMPC` command to create the object. Its properties are as follows:

Properties

Property	Description
MPC	Traditional (implicit) controller object used to generate the explicit MPC controller. You create this MPC controller using the <code>mpc</code> command. It is the first argument to <code>generateExplicitMPC</code> when you create the explicit MPC controller. See “MPC Controller Object” on page 3-2 or type <code>mpcprops</code> for details regarding the properties of the MPC controller.
Range	1-D structure containing the parameter bounds used to generate the explicit MPC controller. These determine the resulting controller’s valid operating range. This property is automatically populated by the <code>range</code> input argument to <code>generateExplicitMPC</code> when you create the explicit MPC controller. See <code>generateExplicitRange</code> for details about this structure.
OptimizationOptions	1-D structure containing user-modifiable options used to generate the explicit MPC controller. This property is automatically populated by the <code>opt</code> argument to <code>generateExplicitMPC</code> when you create the explicit MPC controller. See <code>generateExplicitOptions</code> for details about this structure.

Property	Description
PiecewiseAffineSolution	n_r -dimensional structure, where n_r is the number of piecewise affine (PWA) regions required to represent the control law. The i th element contains the details needed to compute the optimal manipulated variables when the solution lies within the i th region. See “Implementation”.
IsSimplified	Logical switch indicating whether the explicit control law has been modified using the <code>simplify</code> command such that the explicit control law approximates the base (implicit) MPC controller. If the control law has not been modified, the explicit controller should reproduce the base controller’s behavior exactly, provided both operate within the bounds described by the <code>Range</code> property.

